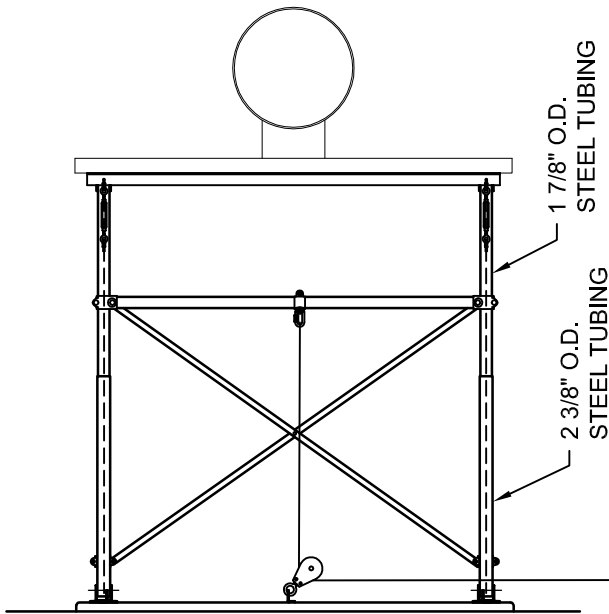


NOTE: DIMENSIONS IN FEET & INCHES (METERS)

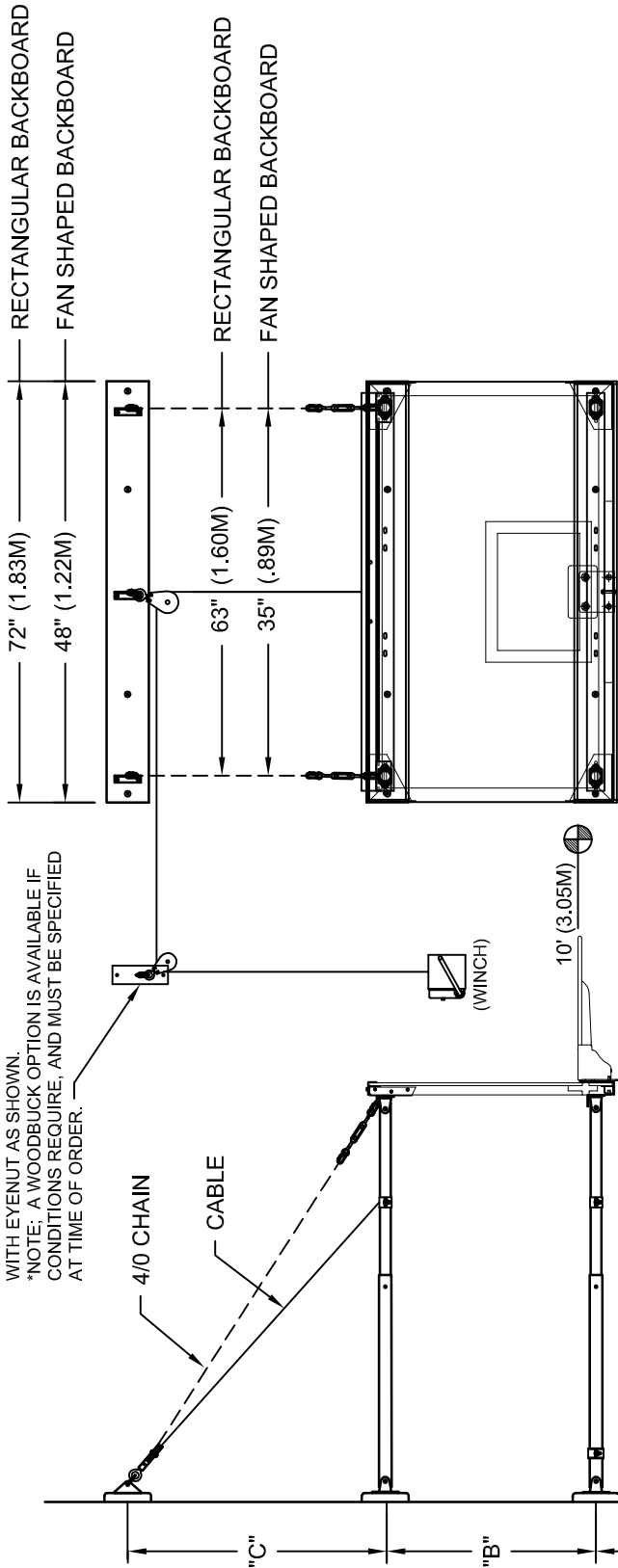
UNITS INSTALLED WITH OR WITHOUT A-A-G		DIM "A"	DIM "B"
RECT. STYLE MOUNTING BACKBOARDS			
LXP4200	9'-8 7/8" (2.97M)	36" (.91M)	
AFRG42	9'-8 7/8" (2.97M)	36" (1.07M)	
1442B	9'-8 7/8" (2.97M)	36" (.91M)	
RG	9'-2 3/4" (2.81M)	42" (1.07M)	
FAN STYLE MOUNTING BACKBOARDS			
1301B	10'-1/4" (3.05M)	20" (.51M)	
1750B	9'-9 1/2" (2.98M)	20" (.51M)	
1245T	9'-9 5/8" (2.99M)	20" (.51M)	
1272B	10'-1/2" (3.06M)	20" (.51M)	
1342B	9'-7.0" (2.92M)	22-5/8" (.57M)	

ALL UNITS		FOB EXTENSION	DIM "C"
		2'-4" (.61-1.22M)	24" (.61M)
		4'-6" (1.22-1.83M)	35" (.89M)
		6'-9" (1.83-2.74M)	56" (1.42M)
		9'-12" (2.74-3.66M)	79" (2.00M)
		OVER 12'	*SEE NOTE

*NOTE: FOR UNITS OVER 12' (3.66M) REFER TO INSTALLATION INSTRUCTIONS SUPPLIED WITH PRODUCT. IF INSTRUCTIONS ARE NOT AVAILABLE, CONTACT FACTORY FOR CORRECT DIMENSIONS.
0' - 2' CHAIN NOT USED.



STANDARD PULLEY ATTACHMENT HARDWARE INCLUDED CONSISTS OF THE METAL PLATE WITH EYENUT AS SHOWN.
*NOTE: A WOODBUCK OPTION IS AVAILABLE IF CONDITIONS REQUIRE, AND MUST BE SPECIFIED AT TIME OF ORDER.



NOTE: WHEN USING 48" HIGH RECTANGULAR BACKBOARD, REDUCE DIM "A" BY 6" (.15M) AND INCREASE DIM "B" BY 6" (.15M).

REVISION		
REV.	DATE	BY
A	12/17/03	JDF
B	01/14/05	ATS
C	05/07/08	RWP
D	06/08/09	RWP
E	12/2/10	DWP



Gared Holdings, LLC
9200 E. 146th St. Noblesville, IN 46060

THIS DOCUMENT CONTAINS TRADE SECRET AND OTHER MATERIALS WHICH ARE PROTECTED BY CONFIDENTIALITY NOTICE AND AGREEMENT AND BY COPYRIGHT. ANY USE OR COPYING OF THIS DOCUMENT EXCEPT AS AUTHORIZED BY GARED HOLDINGS, LLC IS STRICTLY PROHIBITED.

WALL MOUNT - FOLD UP				
DRAWN	CONNERLEY	DATE	04/30/03	MATERIAL N/A
APPROVED	JJC	DATE	04/30/03	FINISH N/A
FILE LOC.	Q:\Final Release\Specifications			DWG. NO. 2400
SIZE	SCALE	SHT. NO.	PART NO.	REV
A	NONE	1 OF 1	2400	E



MODEL 2400

ADJUSTABLE SWING UP WALL MOUNT STRUCTURE FOR EXTENSIONS 4'-0" TO 12'-0"

RECOMMENDED APPLICATION

This unit is designed for applications allowing for mounting the backstop to the wall and requiring the unit to fold up into a storage position. The swing up wall mount is available in extensions from 4'-0" to 12'-0".

SPECIFICATIONS

WALL ATTACHMENT

Unit shall be attached to 2" x 7.25" clear coated wood pads. Unit will also be supported with 4/0 chain fastened to front of the unit and attached to a wood pad mounted on the wall. Wood pad will be mounted on an 8" minimum solid core concrete block wall or wall of similar integrity. All critical fittings shall be malleable iron castings, heavy gauge steel stampings, or weldments.

BACKSTOP

The backstop shall be constructed of four 1 7/8" O.D. tubes telescoped inside 2 1/8" tubes, spaced at 63" centers for a standard application and 35" centers for fan shaped backboards. Unit shall be cross-braced with 1/4"x1" tension straps fastened to the structure. All critical fittings shall be heavy gauge steel stampings or weldments. Backstop manufactured in accordance with 1994 NCAA rule 1, section 8, stating that all backboard support systems shall be at least 6" behind backboard. Backstop will be furnished with standard black finish. If special finish coat required, specify final painting by painting contractor.

Backstop shall be raised and lowered with 1/4" galvanized aircraft cable with a breaking strength of 7000 lbs.

ACCESSORIES

BACKBOARDS AND GOALS

All PSS and/or Gared backboards and goals are available on this unit. See the backboards and goals section in the specification manual.

BANK PADDING

See the accessories section in the specification manual.

HOISTS

Either Electric hoist or manual winch is available on all folding units. See the accessories section in the specification manual.

HEIGHT ADJUSTER

Height adjusters are available for adjusting board heights between 8' and 10' for both rectangular and fan shaped backboards. See the accessories section in the specification manual.

Subject to design change and current manufacturing practices.
Revised April 4, 2008 ©2008 Gared Holdings, LLC