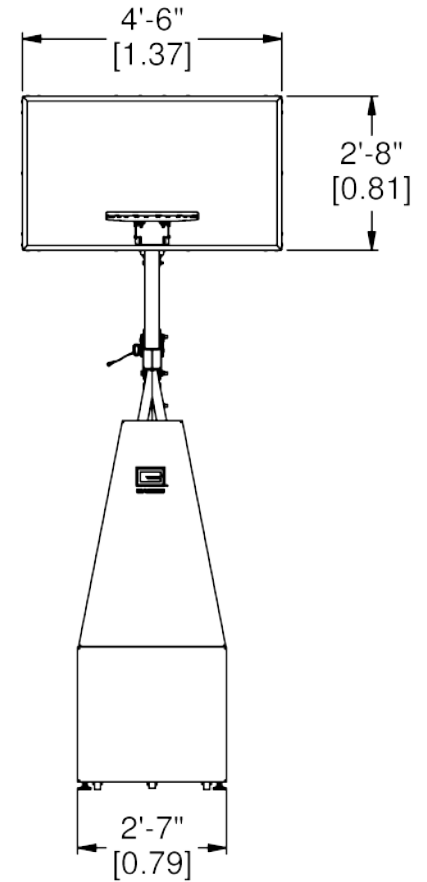
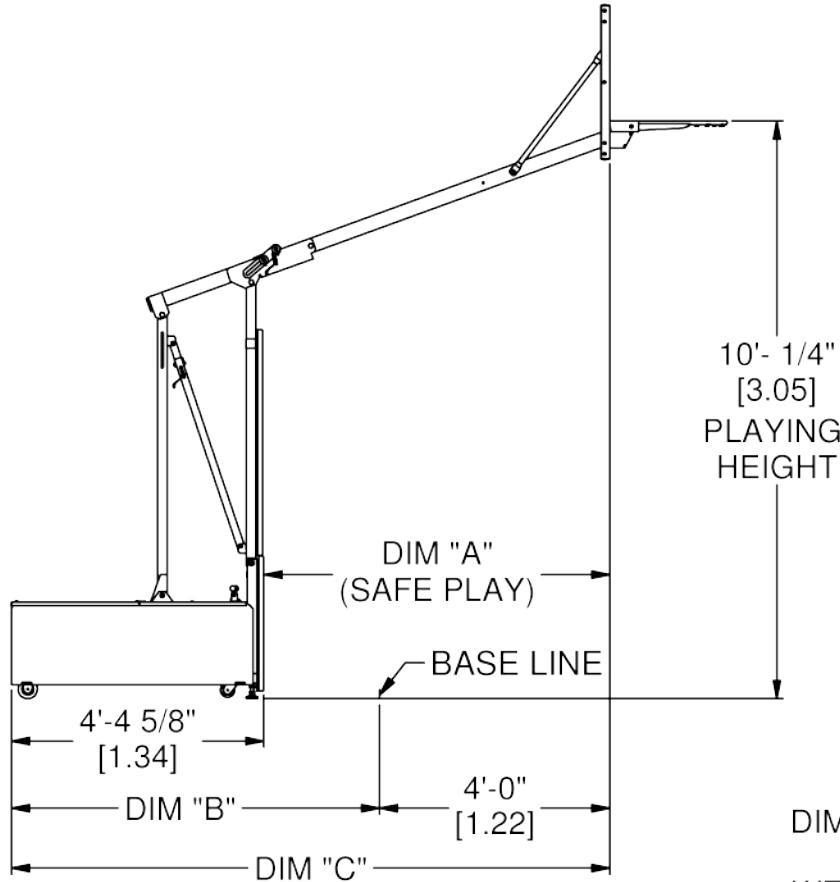


| TABLE | | | |
|--------------------|-----------------------|------------------------|------------------------|
| PLAYING HEIGHT | DIM "A" | DIM "B" | DIM "C" |
| 10'-0" [3.05 m] | 6'-0" [1.82 m] | 10'-4 3/4" [3.17 m] | 6'-4 3/4" [1.95 m] |
| 9'-0" [2.74 m] | 3'- 5/8" [0.93 m] | 7'-5 1/4" [2.27 m] | 3'-5 1/4" [1.05 m] |
| 8'-0" [2.44 m] | 2'- 7/8" [0.63 m] | 6'-5 1/2" [1.97 m] | 2'- 5 1/2" [0.75 m] |
| 7'-6" [2.29 m] | 1'-9 1/8" [0.54 m] | 6'-1 3/4" [1.87 m] | 2'-1 3/4" [0.65 m] |



DIMENSION: FEET & INCHES
[METERS]

WEIGHT: 1000 lbs [454 kg]



Product Specifications

www.TopHoops.com

info@tophoops.com • 888.878.2942

THIS DOCUMENT CONTAINS TRADE SECRET AND OTHER MATERIALS WHICH ARE PROTECTED BY CONFIDENTIALITY NOTICE AND AGREEMENT AND BY COPYRIGHT. ANY USE OR COPYING OF THIS DOCUMENT EXCEPT AS AUTHORIZED BY GARED HOLDINGS, LLC IS STRICTLY PROHIBITED.

SUPER-Z54 PORTABLE, 54" BOARD

DRAWN: CROSBY DATE: 1/6/2011 DATE ISSUED:

APPROVED: DATE:

FILE LOC: Q:\Inventor Files\Specification Files\02_Portables\

| SIZE | SCALE | SHT. NO. | PART NO. | REV |
|------|-------|----------|----------|-----|
| A | | 1 OF 1 | 9054 | |

| REV | BY | DATE |
|-----|----|------|
| | | |



HOOPMASTER R54 MODEL 9154
PORTABLE BASKETBALL GOAL

FRAME

The perimeter of the base shall be constructed of 2" x 3" heavy wall tubing and 7 gauge formed steel plate welded to form a single unitized frame. The front and rear arms shall be constructed of 2" x 3" heavy wall tubular steel welded to form a unitized frame. The main boom shall be constructed of 3" x 4" heavy wall tubing. The backboard shall be supported by a direct mounting through the goal to the main boom and a 1.25" diameter formed tube brace to the upper corners of the board. The base shall have adjustable, slip resistant leveling pads to support the front during play.

BALLAST

Each unit shall have a minimum ballast weight of 600 lbs., permanently built into the rear of the unit. Total unit weight including ballast is 1525 lbs.

WHEELS

Each unit shall be transported on (2) 5" diameter rigid caster wheels and (2) 5" diameter swivel caster wheels with 2" non-marking polyurethane treads. The rear wheels have a load rating of 1000 lbs. each and the front casters have a rating of 1000 lbs. each. The wheels shall be supported on steel roller bearings and shall have grease fittings for internal lubrication.

FINISH

Each unit shall be finished in a white powder coat enamel finish.

PADDING

Main vertical arms and front face area shall be padded with a minimum of 2" thick heavy-duty polyurethane foam and covered with a black 14-ounce tear resistant, mildew resistant vinyl. All other portions shall be padded with 2" thick foam covered with the same 14-ounce vinyl. All padding shall be attached in a manner for quick replacement. Glue-on type padding will not be considered equal.

FOLDING CYCLE

Each unit shall have (2) heavy duty tension springs located in the base to assist in lifting and lower the unit. The maximum effort to raise or lower the unit shall be 50 pounds applied by one person at the handle provided on the rear upright. A telescoping locking bar with safety locking pin shall be used to hold the unit in full up and full down position. Arms shall pivot on close tolerance wear bushings.

BACKBOARD & GOAL

5'-0" extension @ 10'-0" playing height

42" x 54" x ½" Glass (model: 3050), with model 2000+ Gared Collegiate Breakaway Goal

OPTIONS:

Model 9155 Anchoring Kit with (2) front locating pins and a rear floor anchor attachment.