

GARED HOOPMASTER®: MOST VERSATILE SPRING BALANCED PORTABLE BASKETBALL BACKSTOP SYSTEM

This state-of-art portable basketball system uses the GARED® tension spring technology for easy use and operation • The maintenance-free tension spring mechanism has been engineered for balanced and effortless lifting and lowering of the unit and the springs are concealed inside the base for safety and appearance • The Hoopmaster® is designed for main court play in university, high school and professional arenas • It is also ideal for all side court play and it is approved by FIBA for international competition • Available in 8' boom extensions for all levels of play and adjustable at 8', 9' and 10' heights, the Hoopmaster® comes with an official size (42" x 72") shatter proof glass backboard, our original PRO-MOLD® backboard padding, and a positive lock breakaway goal • The base is fully padded on three sides with vinyl covered high density polyurethane foam • The front is similarly padded to a height of 7'. Boom pad and anchoring system are included with the unit • Shot clock supports are sold separately • Full weight with ballast 2200 lbs. (998 .kgs) • **10-Year Limited Warranty on all parts, Lifetime Limited Warranty on backboard included with the unit, 5-Year Limited Warranty on PRO-MOLD® pads and 4-Year on breakaway goal.**

9408: GARED HOOPMASTER®8, 8' (2.45 m) Extended Portable Basketball Backstop

9405: GARED HOOPMASTER®5, 5' (1.5 m) Extended Portable Basketball Backstop

Hoopmaster®

BACKBOARD: Model LXP4200 official size 42" x 72" tempered glass backboard with a welded reinforced powder-coated steel frame. Half inch tempered glass with fired in target and border for maximum durability. LED perimeter lights, #2137, are sold separately.

GOAL: Models 2500 Collegiate and 2500I Tournament, positive lock breakaway goals come standard with these units for the domestic and international markets, respectively. Model 2500I Tournament meets all FIBA standards. Other breakaway goals are optional and available upon request.

PADDING: Durable Gared PRO-MOLD® backboard edge padding comes in a wide variety of colors. Standard color for system padding is royal blue. Other colors are available at no additional cost. Custom logos for the front and side pads are available at additional cost.

BALLAST: 1000 lbs. (455 kgs.) of ballast welded to and concealed in the base of the unit.

HEIGHT ADJUSTABLE: Unique telescoping brace allows for preset heights of 8', 9' and 10'. Custom heights are available upon request.

ADJUSTABLE FLOOR PADS: Two floor pads are encased in steel supports for added stability, and are controlled by a screw-type mechanism that raises the unit off the wheels and adjusts the unit to exactly 10' height.

FLOOR ANCHORING SYSTEM: Floor anchors and locator pins are included as standard. Specify floor type.

FINISH: The unit is powder-coated white. Other colors are available at additional cost.

TRANSPORT & STORAGE: Folds easily for compact storage with single non-marking polyurethane casters for easy transport.

GARED® FEATURES



9804 QUICK CONNECT™ MOUNTING PLATES (PATENT PENDING)

Allows for quick and easy installation and removal of backboard and goal with fewer people.



SPRING ASSIST OPERATION

Spring design allows backstop to be easily lifted in under 10 seconds



EASY SPRING ADJUSTMENT



QUICK BOARD PLUMBING ADJUSTMENT

Allows for quick, easy and accurate plumbing of the backboard for proper play. This is an optional add-on.



www.TopHoops.com

Top Hoops • info@tophoops.com • 888.878.2942

GARED HOOPMASTER® LT: THE PORTABLE OF CHOICE FOR SIDE COURTS, OUTDOOR COMPETITION AND INTRAMURAL PLAY

The traditional style of the **GARED HOOPMASTER® LT**, offers more features and structural strengths than any similar size basketball portable backstop available in the market • A unique tension spring mechanism allows for effortless lifting and lowering of the unit • It is adjustable at 8', 9' and 10' heights, the Hoopmaster® LT comes with an official size (42" x 72") shatter proof glass backboard, our original PRO-MOLD® backboard padding, and a positive lock breakaway goal • The base is fully padded on three sides with vinyl covered high density polyurethane foam • An anchoring system is included with the unit. • Full weight with ballast 1700 lbs. (771 .kgs) • **10-Year Limited Warranty on all parts, Lifetime Limited Warranty on backboard included with the unit, 5-Year Limited Warranty on PRO-MOLD® pads and 4-Year on breakaway goal.**

9305: GARED HOOPMASTER® LT, 5' 6" (1.68 m) Extended Portable Basketball Backstop



BACKBOARD: Model BB72G50 official size 42" x 72" Available ½" tempered glass backboard with a welded reinforced powder-coated steel frame (BB72G50). Limited Lifetime Warranty on backboards. 60" glass and acrylic backboards are optional and available upon request.

GOAL: 2000+ Collegiate breakaway goal with the glass backboard.

PADDING: Durable Gared PRO-MOLD® backboard edge padding comes in a wide variety of colors. Standard color for system padding is royal blue; other colors are available at no additional cost. Custom logos for the front and side pads are available at an additional cost.

BALLAST: 950 lbs. (432 kgs.) of ballast are welded and concealed in the base of the unit.

HEIGHT ADJUSTABLE: Unique telescoping brace allows for preset heights of 8', 9' and 10'.

FLOOR ANCHORING SYSTEM: Floor anchors are optional. Specify floor type.

FINISH: The unit is powder-coated white. Other colors are available at additional cost.

TRANSPORT & STORAGE: Folds easily for compact storage with single non-marking polyurethane casters for easy transport.

Hoopmaster® LT

GARED® FEATURES

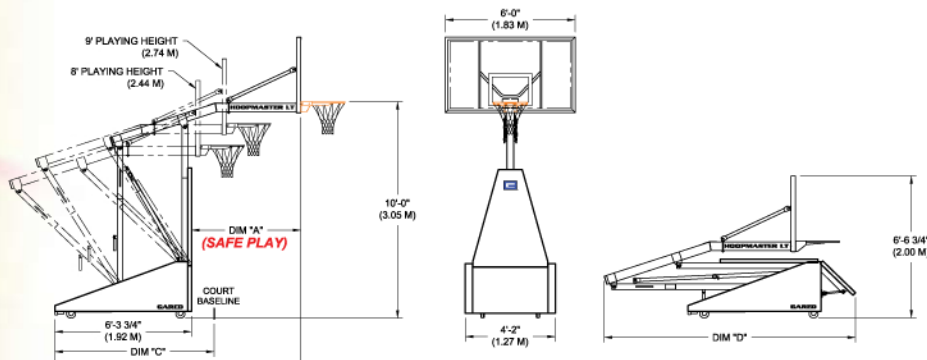


SPRING ASSIST OPERATION

Spring design allows backstop to be easily lifted in under 10 seconds by a single person.



EASY SPRING ADJUSTMENT



PLAYING HEIGHTS	DIMS	MODEL 9305
10'	A	5'-6"
	B	11'-10 1/4"
	C	7'-4 1/4"
9'	A	2'-1 1/4"
	B	8'-5"
8'	A	10 3/4"
	B	7'-2 1/2"
STORAGE	D	11'-7 1/4"

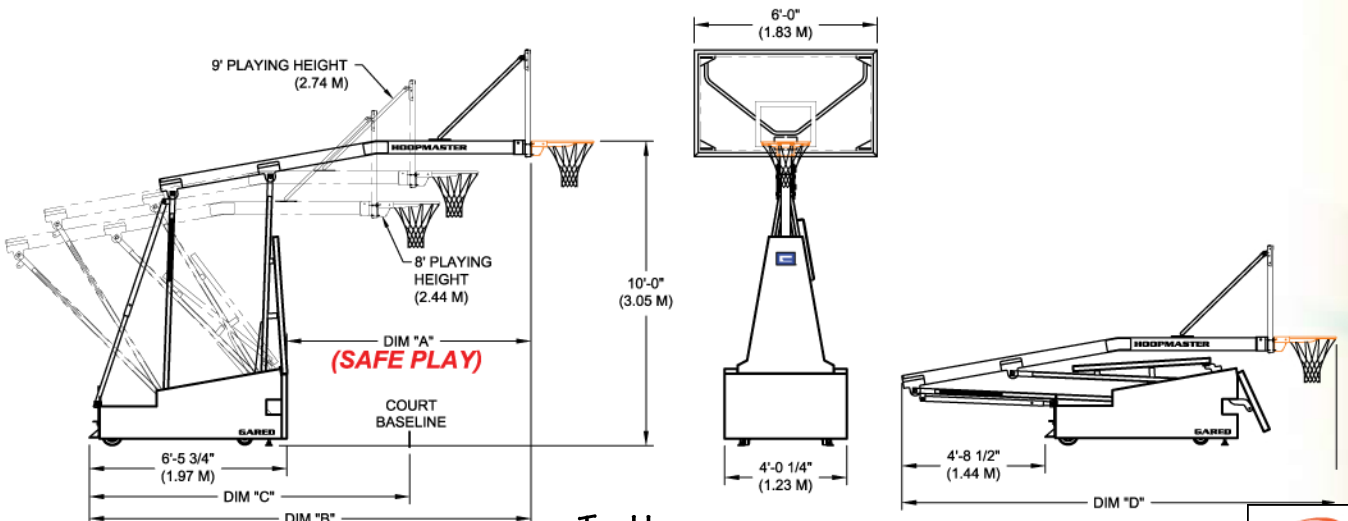


www.TopHoops.com

Top Hoops • info@tophoops.com • 888.878.2942



PLAYING HEIGHTS	DIMS	MODEL 9408	MODEL 9405
10'	A	8'-0"	5'-0"
	B	14'-6 1/4"	11'-6 1/4"
	C	10'-6 1/4"	7'-6 1/4"
9'	A	4'-2 1/4"	1'-2 1/4"
	B	10'-8 1/4"	7'-8 1/4"
8'	A	2'-11"	-
	B	9'-5 1/4"	-
STORAGE	D	14''-3 1/4"	12'-0 3/4"



www.TopHoops.com

Top Hoops • info@tophoops.com • 888.878.2942

