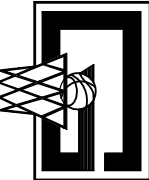


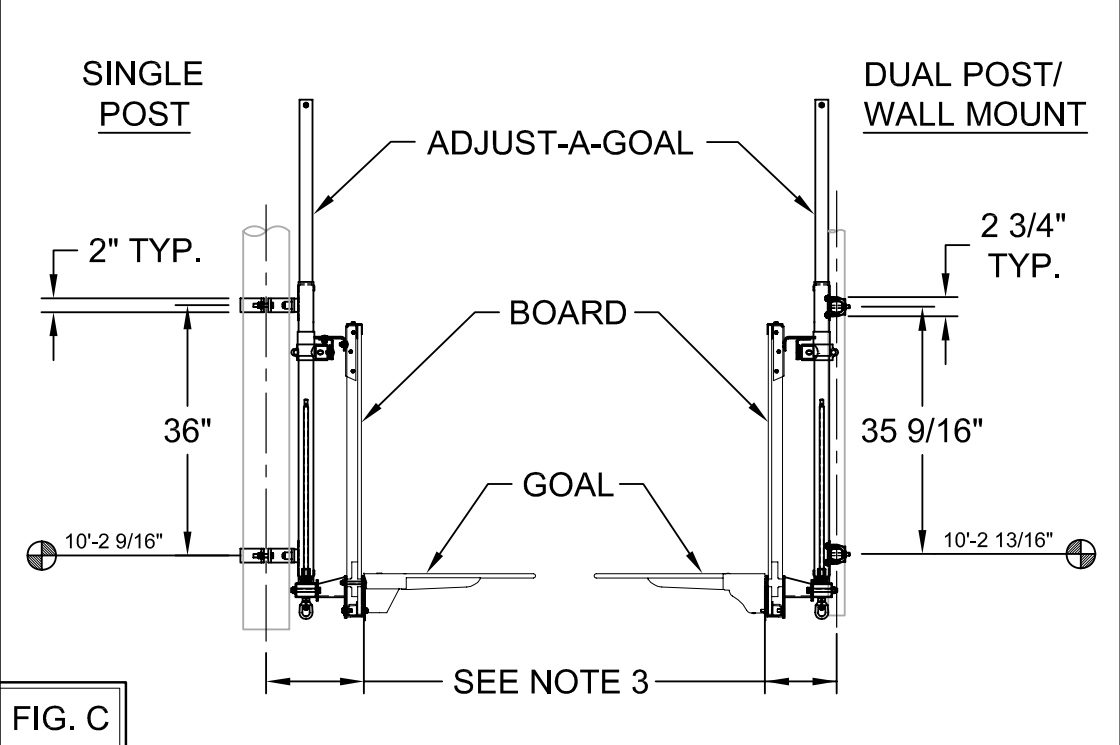
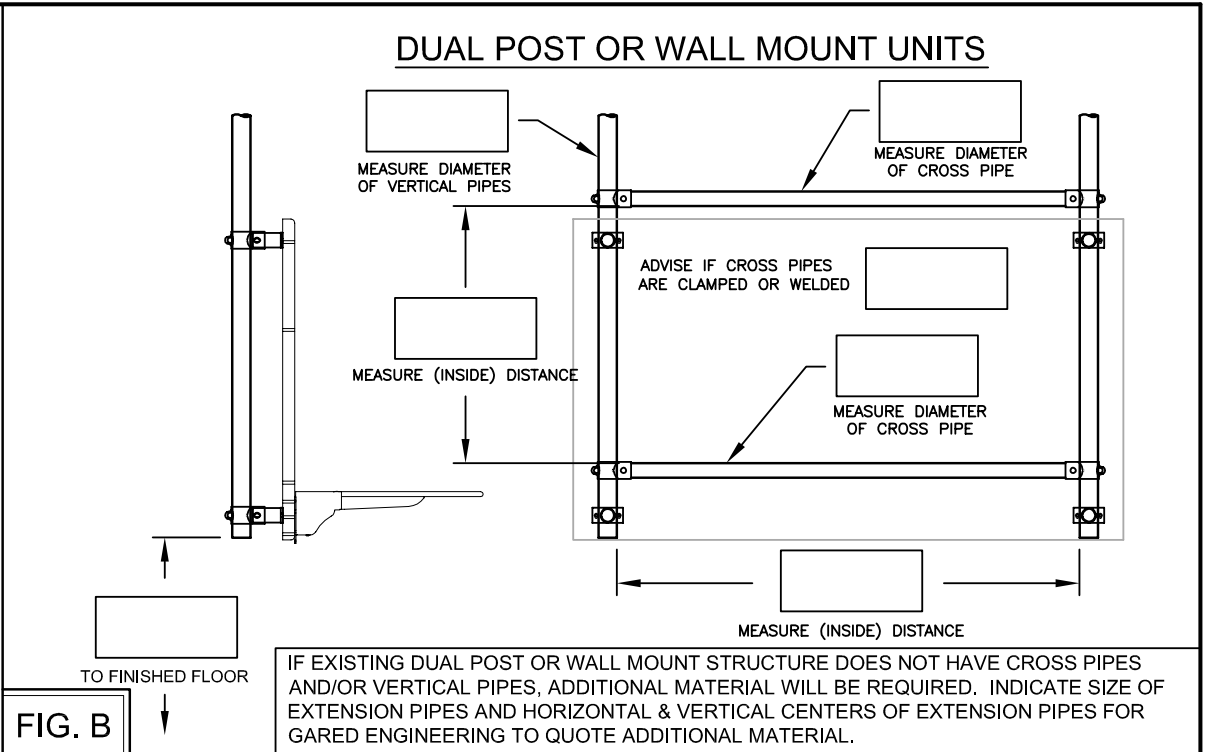
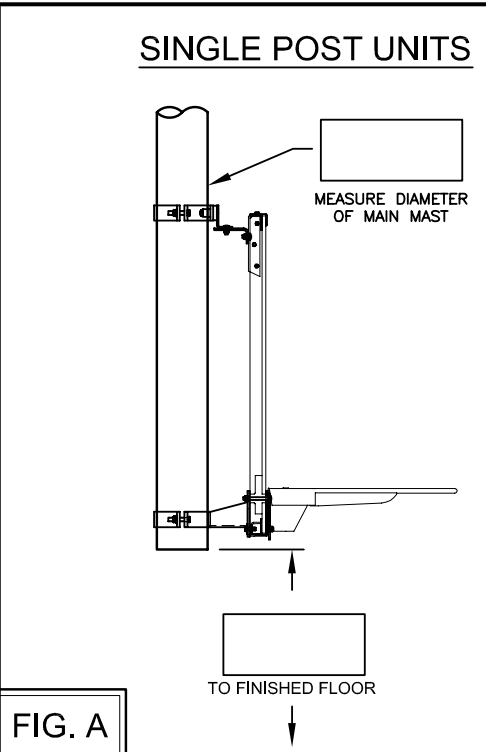
REVISION	
REV.	DATE
A	12/12/06
BY	JRM

GARED SPORTS



707 North 2nd Street
St Louis, MO 63102
PH: 800-325-2682 FAX: 314-421-6014

TITLE		ADJUST-A-GOAL INFORMATION SHEET	
DRAWN	FETTERS	DATE	9/2/05
APPROVED	ATS	DATE	9/2/05
FILE LOC: Q:\Final Release\850,000,000			
SIZE	SCALE	SHT. NO.	DWG. NO.
A	NONE	1 OF 2	851752649
REV			



- NOTES:**
- INDICATE TYPE OF STRUCTURE.
 - SINGLE POST CEILING SUSPENDED
 - DUAL POST CEILING SUSPENDED
 - WALL MOUNT
 - FILL IN THE APPROPRIATE BOXES IN FIG. A & B THAT CORRESPOND WITH TYPE OF STRUCTURE.
 - FIG. C SHOWS THE ATTACHMENT PARAMETERS THAT ARE REQUIRED TO ATTACH THE AAG. ADVISE IF THERE ARE ANY POSSIBLE INTERFERENCE ISSUES WITH EXISTING COMPONENTS.
 - THIS DIMENSION WILL INCREASE.** THE AMOUNT OF INCREASE DEPENDS UPON TYPE OF STRUCTURE AND BOARD.
 - IF ANY OTHER STRUCTURE DESIGN IS USED, PROVIDE A DETAILED SKETCH WITH ALL APPROPRIATE DIMENSIONS.
 - INDICATE BACKBOARD MATERIAL.
 - GLASS
 - FIBERGLASS
 - ALUMINUM
 - WOOD
 - STEEL
 - COMPLETE DIMENSIONS ON PAGE 2 THAT CORRESPOND WITH TYPE OF BACKBOARD.

REVISION		
REV.	DATE	BY
A	12/12/06	JRM



GARED SPORTS

707 North 2nd Street
PH: 800-325-2682

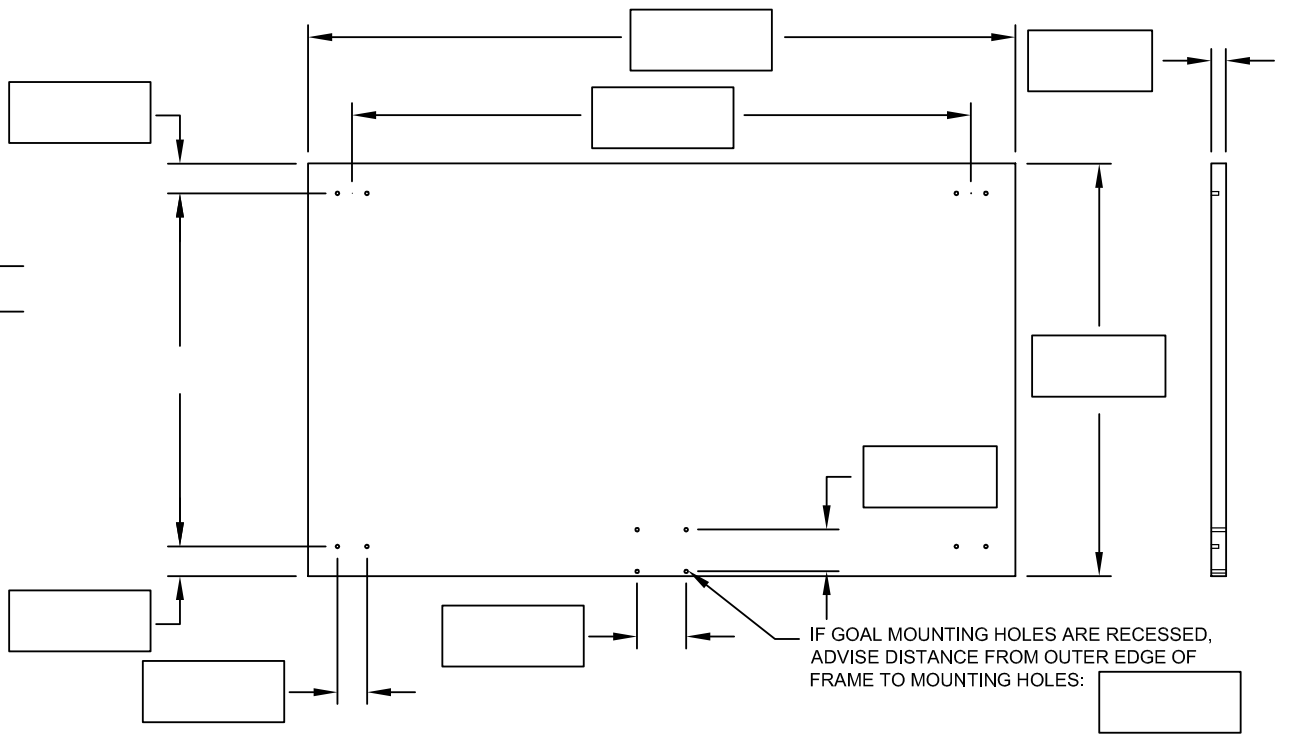
St Louis, MO 63102
FAX: 314-421-6014

<p>THIS DOCUMENT CONTAINS TRADE SECRET AND OTHER MATERIALS WHICH ARE PROTECTED BY CONFIDENTIALITY NOTICE AND AGREEMENT AND BY COPYRIGHT. ANY USE OR COPYING OF THIS DOCUMENT EXCEPT AS AUTHORIZED BY GARED IS STRICTLY PROHIBITED.</p>			
<p>TITLE: ADJUST-A-GOAL INFORMATION SHEET</p>			
DRAWN	BRD	DATE	9/2/05
APPROVED	ATS	DATE	9/2/05
FILE LOC: Q:\Final Release\PSS\Specifications			
SIZE	SCALE	SHT. NO.	DWG. NO.
A	NONE	2 OF 2	851752649
REV	-		

RECTANGULAR BACKBOARDS

BRAND NAME: _____

MODEL NUMBER: _____



FAN SHAPED BACKBOARDS

BRAND NAME: _____

MODEL NUMBER: _____

TYPE OF GOAL MOUNT

FRONT MOUNT: _____

REAR MOUNT: _____

