



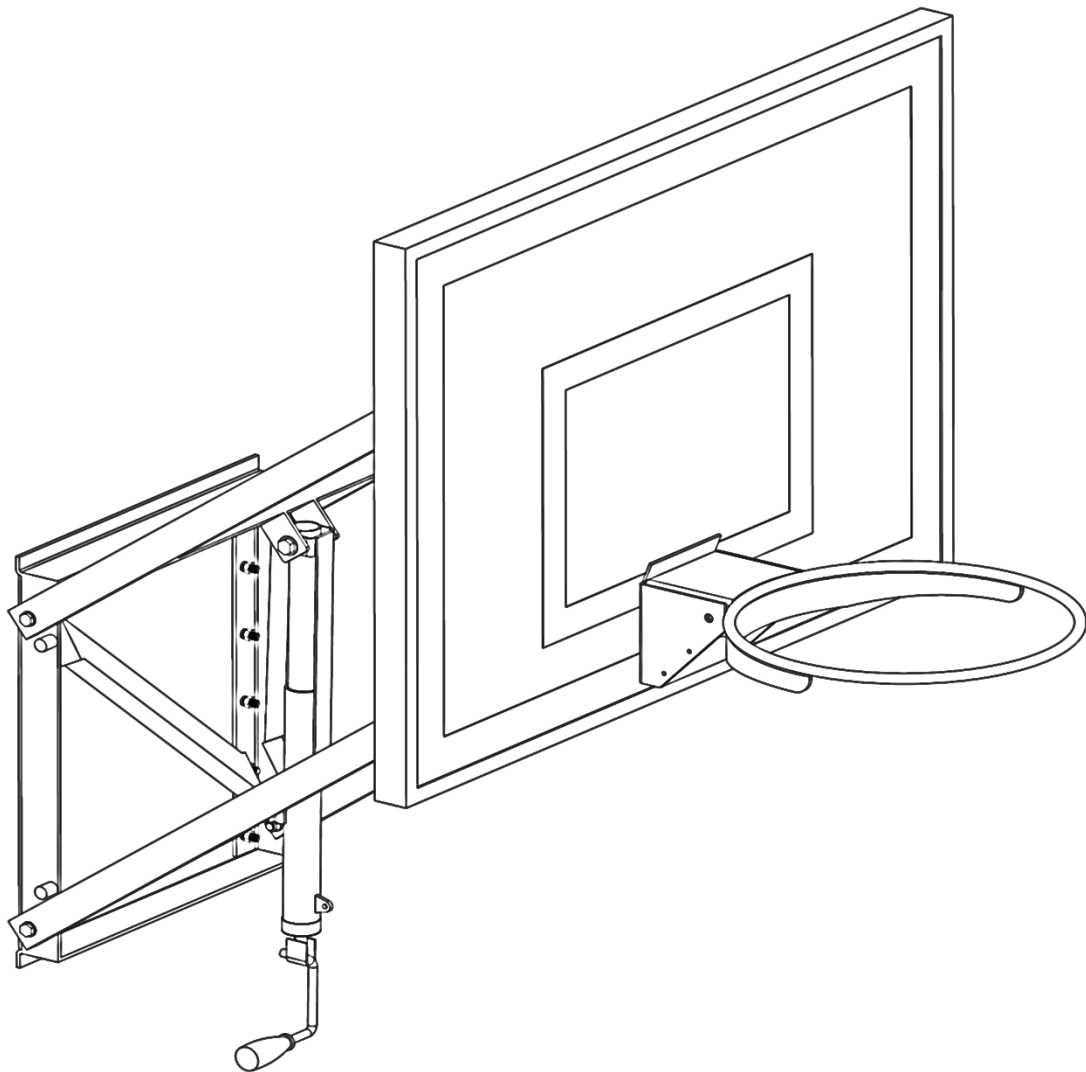
800-243-0533

www.jaypro.com

WALL-MOUNT GOAL SYSTEMS ASSEMBLING INSTRUCTIONS AND OWNER'S MANUAL

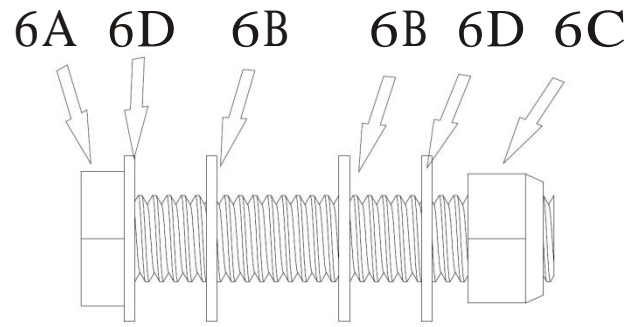
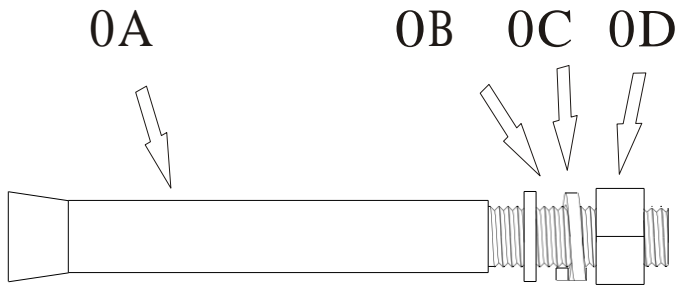
WM-48

WM-60



Keep this instruction manual in case you have to contact the manufacturer for replacement parts.

Required For This Step:



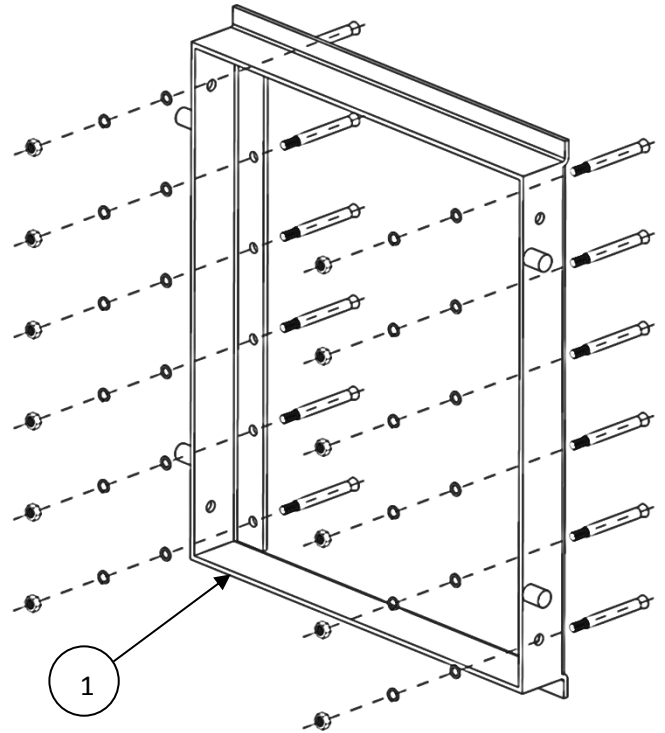
STEP 1 (For Concrete or Block Walls)

A: Determine where to place the frame (1) on the wall.

B: Draw a 21" (533mm) horizontal line on the wall, 88-3/4" (2255mm) up from the playing surface, level the frame (1) horizontally and vertically using a level.

C: Mark wall with mounting holes needed for attachment of frame.

D: Drill holes in the wall for the expansion bolt (0A). Mount the frame to the wall using flat washers (0B), lock washers (0C) and nuts (0D) as shown.

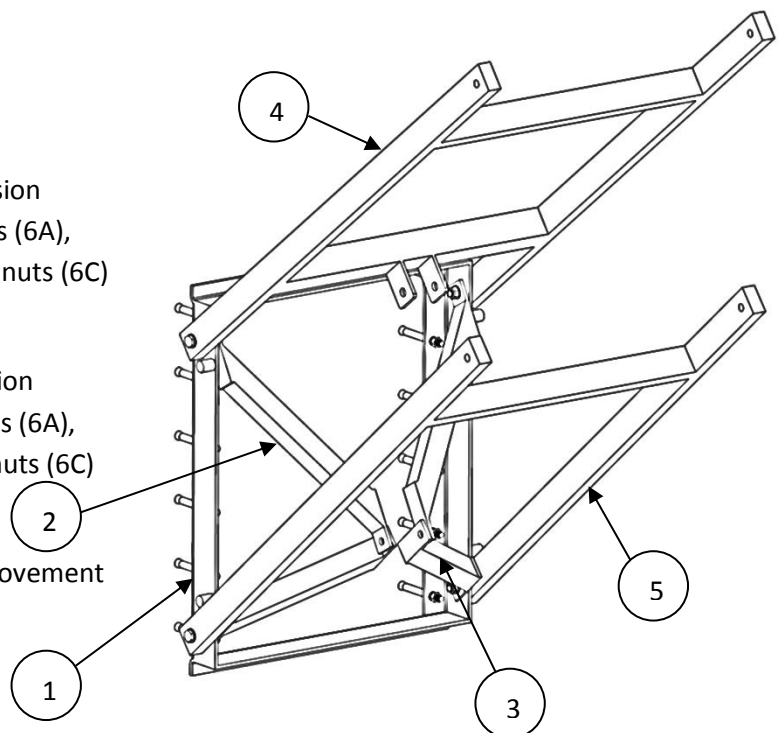


STEP 2

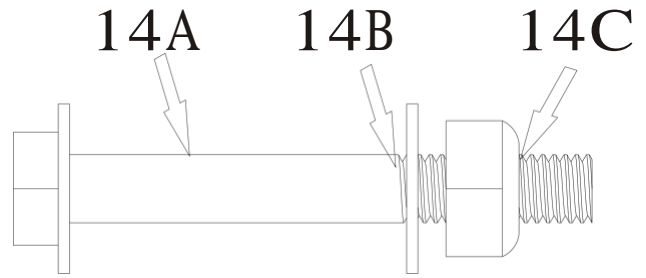
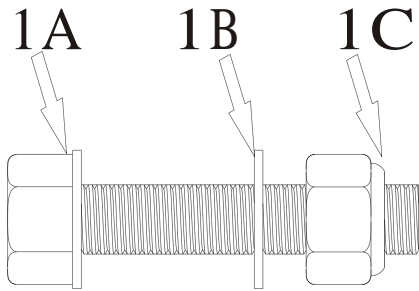
A: Attach the two upper actuator arms (2) and upper extension frame (4) to the main frame (1), using two M12x60mm Bolts (6A), four flat washers (6B), for nylon washers (6D), and two lock nuts (6C) as shown (leave hardware loose to allow for adjustment).

B: Attach the two lower actuator arms (3) and lower extension frame (5) to the main frame (1), using two M12x60mm Bolts (6A), for flat washers (6B), four nylon washers (6D) and two locknuts (6C) (do not tighten).

C: Secure all hardware, but do not over tighten to ensure movement is maintained at pivot points.



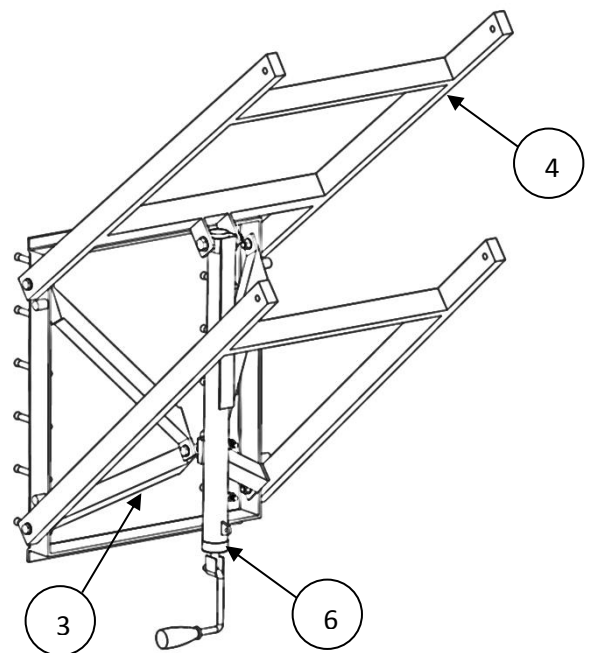
Required For This Step:



STEP 3

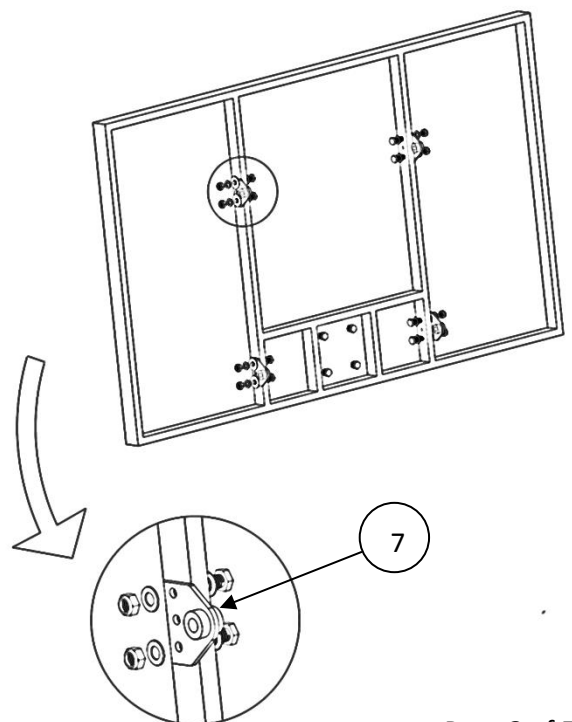
A: Attach the top of the actuator (6) to the upper mounting bracket (4), using M14x100mm Bolt (14A), a flat washer (14B) and locknut (14C). (Do not over tighten)

B: Attach the bottom of the actuator (6) to the actuator arms, using M12x120mm Bolt (8A), a flat washer (8B) and locknut (8C). Lengthen or shorten the actuator, as needed. (Do not over tighten).

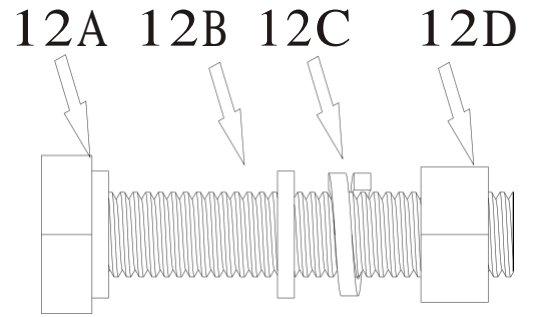
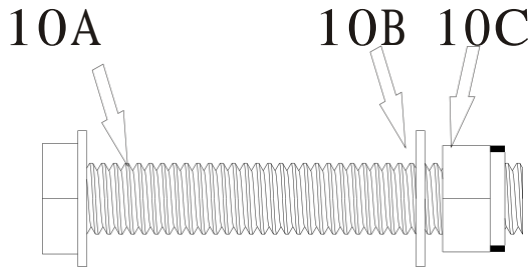


STEP 4

A: Attach the four board mounting brackets (7), using the bolt (1A), a flat washer (1B) and locknut (1C) as shown.



Required For This Step:

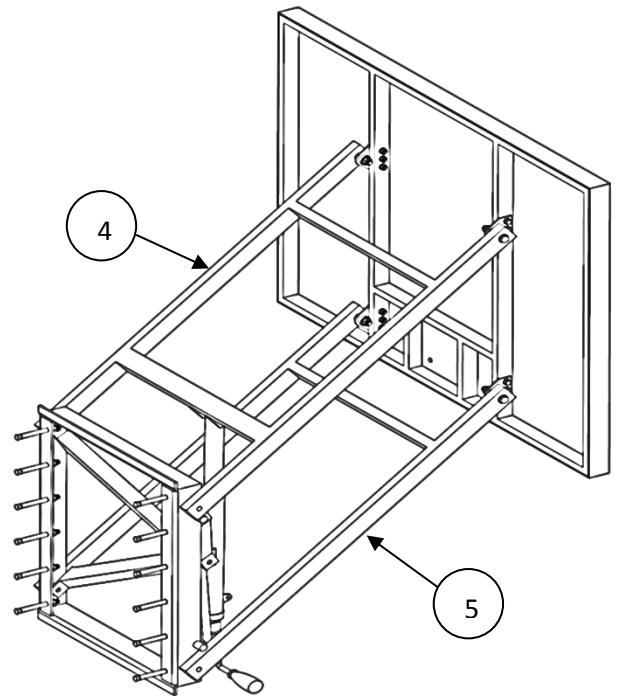


STEP 5

Note: Make sure extension arms are in lowered position.

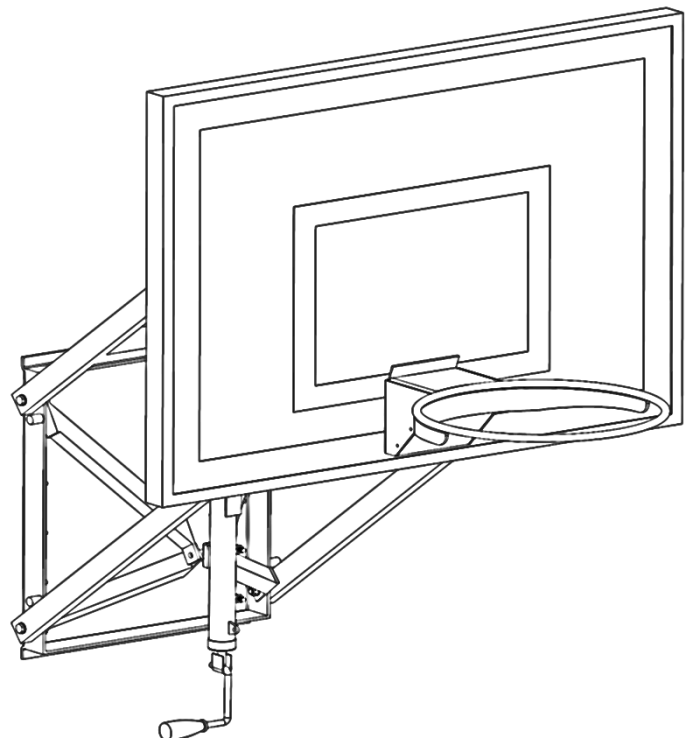
A: Attach the backboard to the both upper and lower extension frames (4 & 5), using four M12x75mm Bolts (10A), eight flat washers (10B) and four locknuts (10C) (do not over tighten).

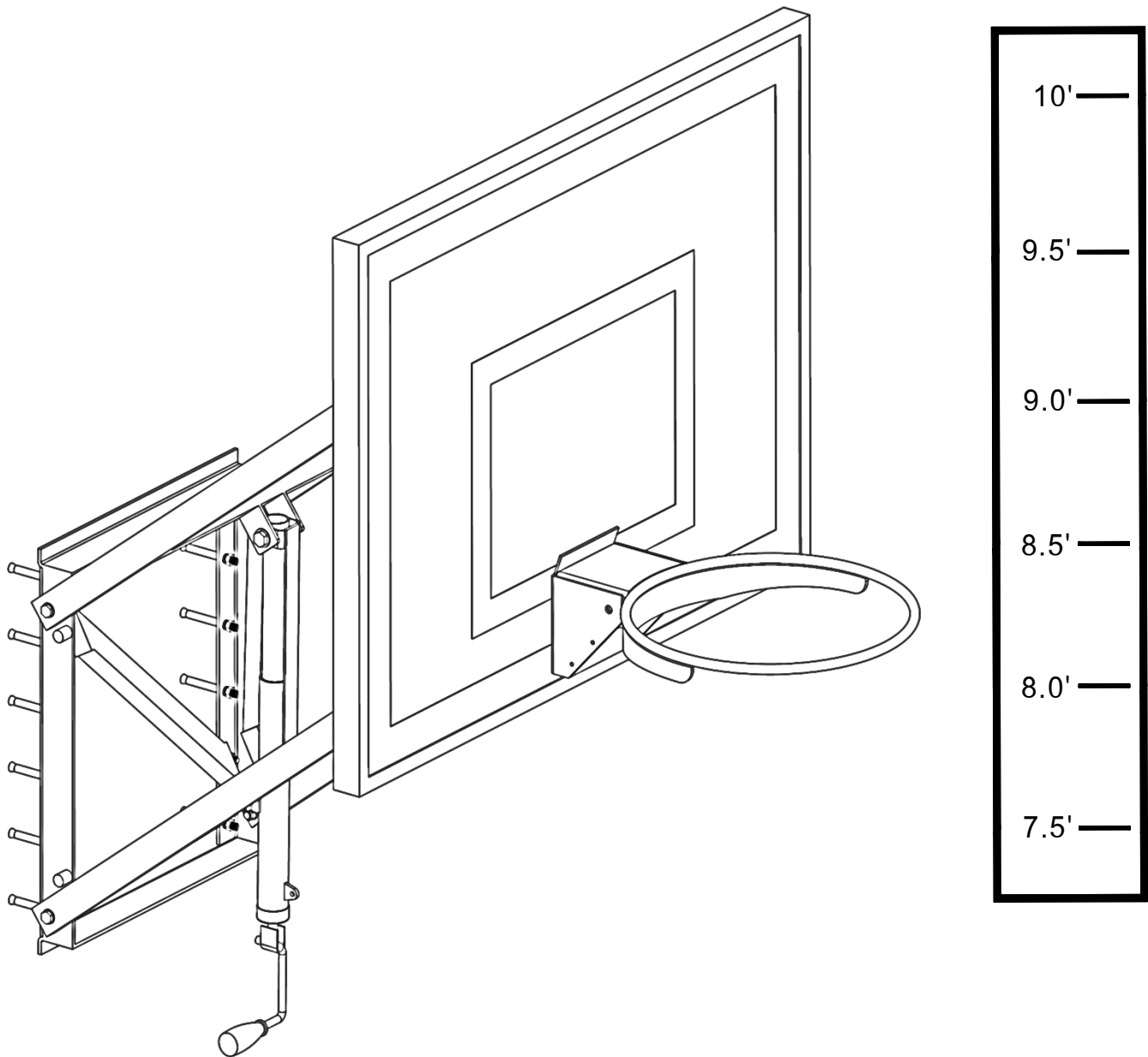
B: Tighten the fasteners so that bushings in the arms and backboard mounting brackets touch, but do not over tighten to allow for movement.



STEP 6

A: Attach the rim to backboard with four M10x50mm Bolts (12A), eight flat washers (12B), four lock washers (12C) and four nuts (12D)





STEP 7

A: Position top of rim to 10' above playing surface using crank handle. Measure distance with a tape measure for accuracy.

B: When the crank handle adjusted to the highest point, till you can see the 10' mark in the stickers.

C: Make sure at every installation step you follow when to tighten the fasteners.