

MODEL BA735QC



Customer Service
(800) 247 7668

Qwik Change Extension Arm

PARTS LIST					
Item	Qty	Description	Item	Qty	Description
A	2	4" U-Bolts	M	10	3/8" Lock Nuts
B	4	1/2" Flat Washers	N	2	3/8" x 6 1/2" Hex Bolts
C	4	1/2" Lock Washers	O	1	Height Adjustment Mechanism
D	4	1/2" Hex Nuts	P	2	5/16" x 2 1/2" Carriage Bolts
E	2	Extension Channels	Q	8	5/16" Flat Washers
F	2	Rim/Pole Mounting End Plates	R	1	4" Square Pole (packaged separately)
G	2	Upper Backboard Supports	S	1	Black Pole Cap
H	2	Lower Backboard Supports *	T	1	Backboard (packaged separately)
I	4	Backboard Mounting Angles	U	1	Rim (packaged separately)
J	8	3/8" x 1" Hex Bolts	V	1	Acrylic Hardware (included w/Acrylic Backboard ONLY)
K	8	Pivot Bushings	W	8	5/16" x 1" Hex Bolts
L	8	3/8" Flat Washers	X	10	5/16" Flange Nuts

* For use on Acrylic Backboards only

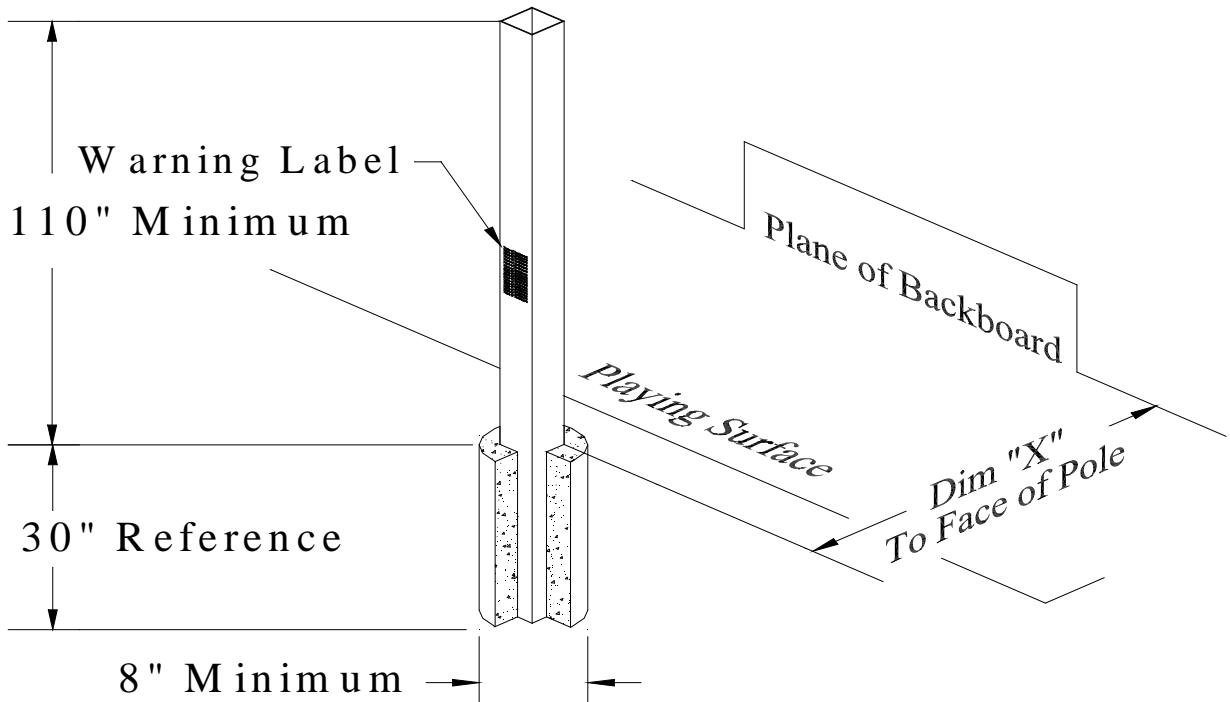
Warning!

Improper installation, maintenance or use may cause product failure and serious personal injury.

- ◆ Inspect all contents prior to installation. Report any missing parts to dealer immediately.
 - ◆ Carefully read all instructions before proceeding. Pay special attention to the safety instructions on the next page.
 - ◆ Save this instruction in the event that the manufacture must be contacted in the future for maintenance information.
 - ◆ Disregard any instruction, hardware or components that do not apply to the system you are installing.
1. Determine the desired position of the 4" *Square Pole* (R) by taking into consideration that the distance between the front of the 4" *Square Pole* (R) and the face of the *Backboard* (T) changes as the height is adjusted. At the top position (official 10' height) the distance is 22 1/2", at the lowest position the distance is 28" and at mid height the distance is 30". See Figure A.
 2. Dig a 8" minimum diameter hole approximately 30" deep. This hole will need three to four 1/3 cubic foot bags of premix concrete. Install the 4" *Square Pole* (R) in wet concrete making sure that at least 110" of the 4" *Square Pole* (R) extends above the playing surface. **The factory installed warning label should be orientated so it is opposite the playing surface and right side up.** Brace 4" *Square Pole* (R) while concrete is curing to insure level installation. For maximum rigidity fill the 4" *Square Pole* (R) with additional concrete. See Figure A.
 3. Assemble the two *Extension Channels* (E) with the *Rim/Pole Mounting Plates* (F) as shown. The square cut out in the *Extension Channels* (E) should be on opposite sides as shown. The *Extension Channel* (E) with the Bison label should be used in the lower position. Use *Pivot Bushings* (K), 3/8" x 1" *Hex Bolts* (J), 3/8" *Flat Washers* (L) and 3/8" *Lock Nuts* (M) in the 8 pivot locations. Make sure *Extension Channels* (E) and *Rim/Pole Plates* (F) are properly identified and positioned with all holes in the proper location. Tighten 3/8" *Lock Nuts* (M) then loosen 1/4 turn or until assembly pivots freely. See Figures B and C.

Figure A

RIM HEIGHT	DIM "X"
10'	22.5"
9'	30"
8'	31"
7 1/2'	28"



Note:

If your warning label becomes damaged or lost, call the manufacture for a replacement.

Warning!

Allow the concrete to cure for 48 hours minimum before completing installation.

4. Mount the *Height Adjustment Mechanism* (O) using the $3/8" \times 6 1/2"$ *Hex Bolts* (N) and the $3/8"$ *Lock Nuts* (M) on each end of the mechanism. Tighten so there is no side to side movement possible but the unit pivots freely. Make sure the opening of the black release box is facing downward as shown. See Figure C.
5. Mount the entire QWIK-CHANGE assembly to the $4"$ *Square Pole* (R) using the *U-bolts* (A), $1/2"$ *Flat Washers* (B), $1/2"$ *Lock Washers* (C) and $1/2"$ *Hex Nuts* (D). Position the bottom of *Rim/Pole Mounting Plate* (F) at 95" above the playing surface for 7 1/2' thru 10' adjustment. Placement below this point is not advisable as it seriously increases the chance of injury to young players. Make sure the Bison label is on the lower *Extension Channel* (E). See Figure C.
6. Lower unit to bottom position for easy access to mount *Backboard Supports* (G) & (H), *Backboard* (T) and *Rim* (U).
7. Mount the *Upper Backboard Supports* (G) and *Lower Backboard Supports* (H) to the *Rim/Pole Mounting End Plates* (F) using the $5/16" \times 1"$ *Hex Bolts* (W), $5/16"$ *Flat Washers* (Q) and $5/16"$ *Flange Nuts* (X). Do not tighten at this time. See Figure E.

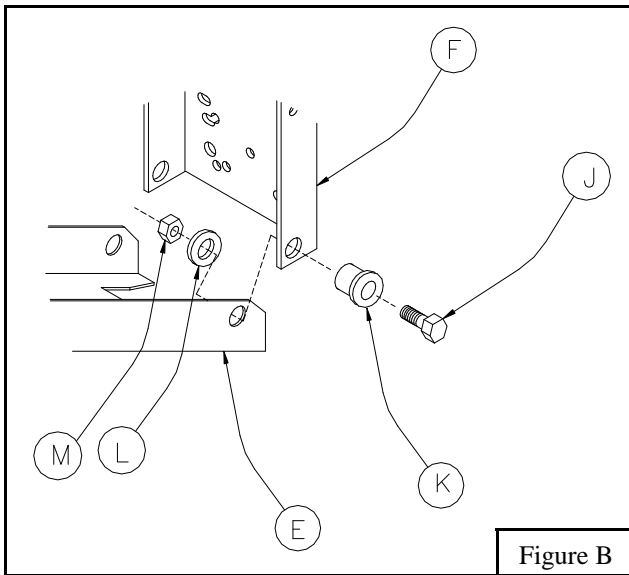


Figure B

This end up!

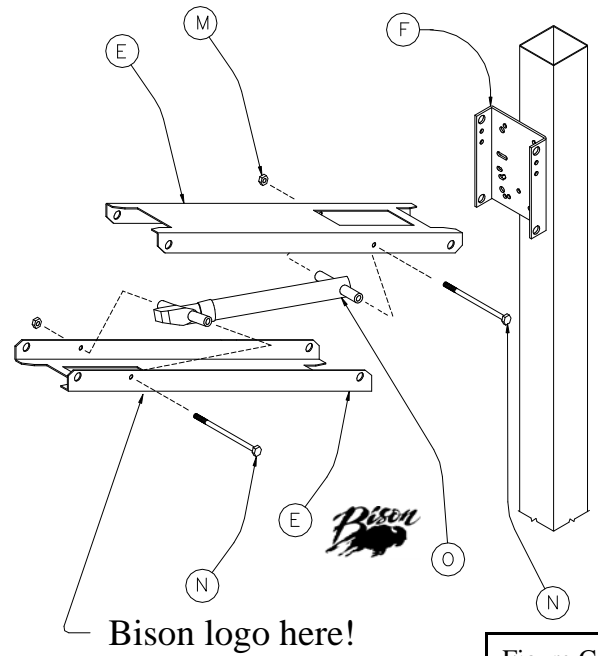
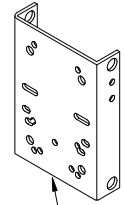
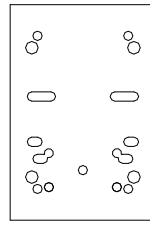


Figure C

Warning!

Improper installation, maintenance or use may cause product failure or serious personal injury.
Failure to seat *Pivot Bushing* (K) shoulder against the outside of *Rim/Pole Mounting Channels* (F) will result in poor rigidity and possible injury caused by premature wear on pivot bolts and steel parts.

Note:

When extension arm assembly is completely assembled, the mechanism is going to want to collapse. This is normal, as the unit requires the weight of the backboard and rim to set the mechanism into the locked position at each setting. Use caution to avoid pinch points when proceeding with mounting the assembly to the pole and while mounting the backboard and rim.

Warning!

Placement of Qwik-Change below the 95" shown in Figure D is not advisable as it seriously increases the chance of injury to young players.

Note:

***Lower Backboard Supports* (H) are for use with Acrylic Backboards Only.**

8. Loosely attach the *Backboard Mounting Angles* (I) to the *Backboard Supports* (G) & (H) as shown with *5/16" x 1" Hex Bolts* (W) and *5/16" Flange Nuts* (X). Do not tighten at this time. See Figure E.

TO RAISE GOAL: Place the end of a suitable lifting pole (I.E. broom handle) under the rim or backboard and push upward until desired height is reached. The mechanism will automatically lock in one of the fixed adjustment positions as unit is lowered slightly.

TO LOWER GOAL: Place pole into the black release cup of the adjustment mechanism, push upward to release, then lower the goal to the bottom most position. The mechanism will not lock at intermediate positions on the way down as long as the cup is depressed. QWIK-CHANGE is designed to adjust from 7 1/2' to 10' in 6" increments.

9. Mount *Backboard* (T) and *Rim* (U) to previously assembled structure with the hardware provided with the *Rim* (U). Bolts should pass through the *Rim* (U), then *Backboard* (T) and then the *Rim/Pole Mounting End Plate* (F). Tighten when both *Rim* (U) and *Backboard* (T) are level.

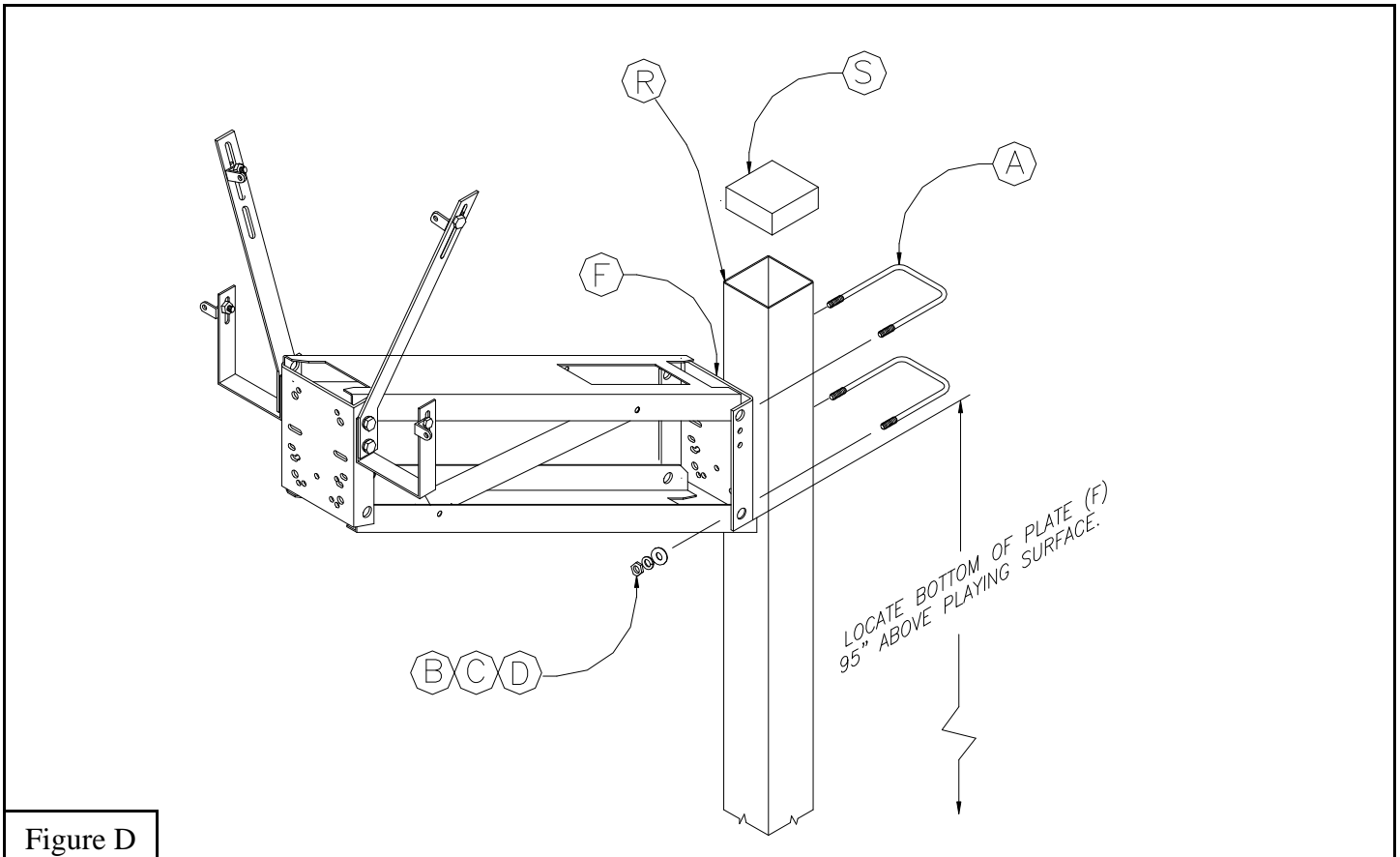


Figure D

10. If you have an acrylic *Backboard* (T), attach the previously assembled *Backboard Mounting Angles* (I) to the *Backboard* (T) with the *Acrylic Hardware Package* (V) and follow the instructions provided with that kit. If your *Backboard* (T) is not acrylic attach the *Backboard Mounting Angle* (I) to the *Backboard* (T) with the 5/16" x 2 1/2" *Carriage Bolts* (P), 5/16" *Flat Washers* (Q) and 5/16" *Flange Nuts* (X). Tighten when all components are level and flat. See Figure F.
11. Raise the *Rim* (U) to the upper most position and measure the distance from the top of the *Rim* (U) to the playing surface. If necessary adjust to the official 10' playing height by loosening 1/2" *Hex Nuts* (D) on the *U-Bolts* (A) then slide the entire unit up or down the 4" *Square Pole* (R). **USE CAUTION NOT TO DROP UNIT DOWN THE 4" SQUARE POLE (R) AND RISK PERSONAL INJURY OR DAMAGE TO THE POWDERCOATED FINISH ON THE POLE.** Retighten 1/2" *Hex Nuts* (D) once you have achieved 10'.
12. Place *Pole Cap* (S) on top of the 4" *Square Pole* (R) to keep out water. Install net.
13. Drill an 1/8"-1/4" hole thru one wall in the bottom of your 4" *Square Pole* (R) opposite the playing surface to insure no water builds up inside of pole. This is not required if you choose to fill the pole with concrete.
14. If your QWIK-CHANGE mechanism becomes difficult to adjust, lubricate all pivot points and the area in and around the height adjustment mechanism release cup with a light machine oil (i.e.. sewing machine oil or WD-40).

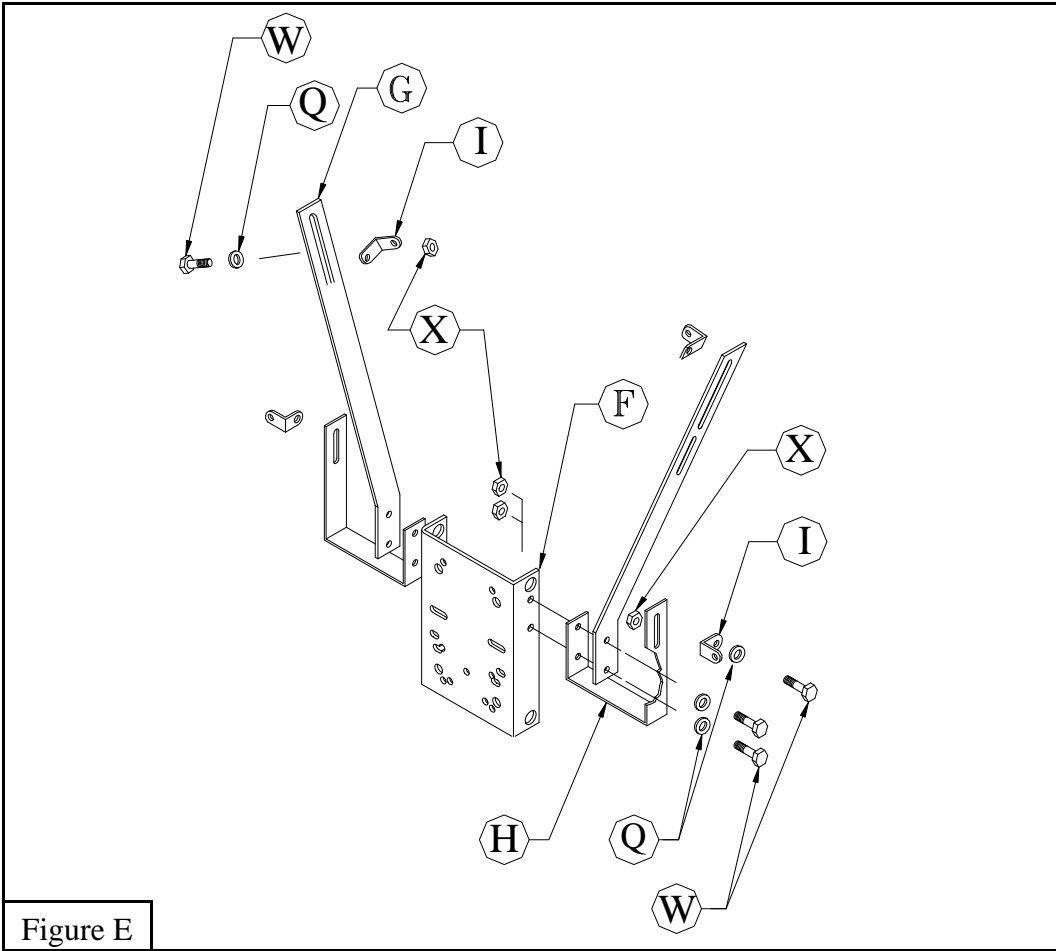


Figure E

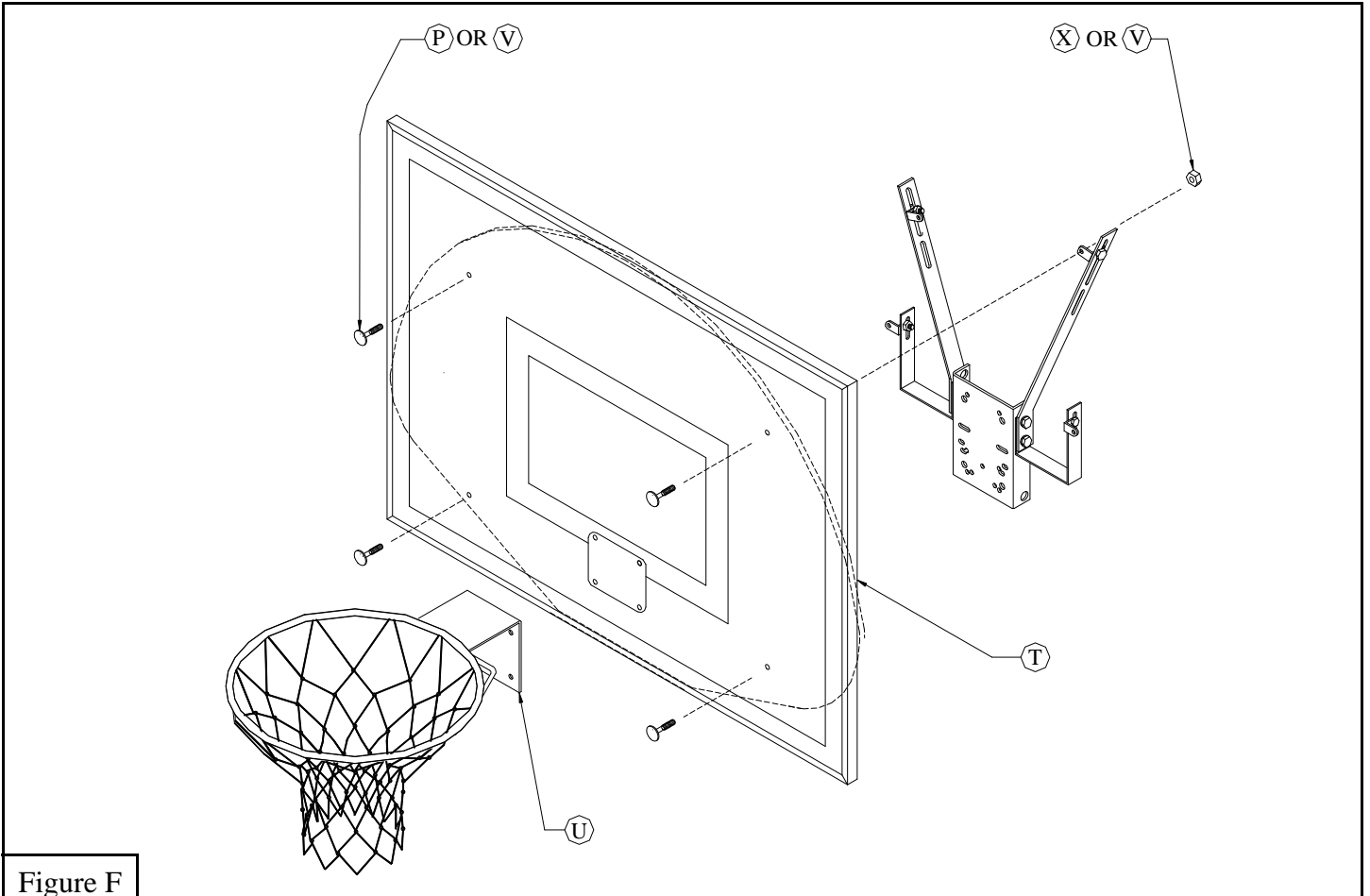


Figure F



SAFETY INSTRUCTIONS



FAILURE TO FOLLOW THESE SAFETY INSTRUCTIONS MAY RESULT IN SERIOUS INJURY, PROPERTY DAMAGE AND WILL VOID WARRANTY.

Owner must ensure that all players know and follow the rules for safe operation of this system.

To ensure safety, do not assemble this system without following the instructions carefully. A high probability of serious injury exists if this system is not installed, maintained, and operated properly.

- If using a ladder during assembly, use extreme caution.
- 2 people are recommended for safe assembly.
- Before digging, contact utility company to locate underground power cables, gas and water lines. Ensure there are no overhead power lines within 20 ft. (7m) radius of pole location.
- Climate, corrosion or misuse could result in system failure.
- If technical assistance is required, contact the manufacturer.
- Minimum operational height is 6'6" (1.98m) to the bottom of the backboard. Do not install so that bottom of backboard is below this height.
- Assembly will require lifting and bending that may result in injury to persons not accustomed to this type of activity.

Most injuries are caused by misuse and/or not following instructions. Use caution when using and installing this system



WARNING

FAILURE TO FOLLOW THESE WARNINGS MAY RESULT IN SERIOUS INJURY AND/OR PROPERTY DAMAGE.

Owner must ensure that all players know and follow these rules for safe operation of the system.

- DO NOT remove or cover this warning label
- DO NOT HANG on the rim or any part of system including backboard, support braces or net.
- During play, especially when performing dunk type activities, keep player's face away from the backboard, rim and net. Serious injury could occur if teeth/face come in contact with backboard, rim or net.
- Do not slide, climb or play on pole.
- When adjusting height, keep hands and fingers away from moving parts.
- Do not allow young children to adjust system.
- During play, do not wear jewelry (rings, watches, necklaces, etc.). Objects may entangle in net.
- Keep organic material away from pole base. Grass, Litter, etc. could cause corrosion and/or deterioration.
- Check pole system for signs of corrosion (rust, pitting, chipping) and repaint with exterior enamel paint available from the manufacturer. If rust has penetrated through the steel anywhere, replace pole immediately.
- Check system before each use for loose hardware, excessive wear signs of corrosion and general instability and repair before play is allowed.
- Never play on damaged equipment.

BISON, INC.

1-800-247-7668

BA730

BA735WB

Used with BA735QC and BA785U Systems



Customer Service
(800) 247-7668

PARTS LIST					
Item	Qty	Description	Item	Qty	Description
A	3	Wall Struts	D	6	3/8" Lock Washer
B	6	3/8" -16 X 2 1/2" Elevator Bolt	E	6	3/8"-16 Hex Nut
C	6	3/8" Flat Washer			

CAUTION!!!

Wall mount systems require a minimum ceiling and wall height as well as an acceptable wall mounting surface. Brick, block or poured concrete walls are superior. It is inadvisable to mount systems to walls with wood or steel studs unless additional work approved by an engineer is done to provide additional support.

Bison does not provide wall anchors with any wall mount structure or system. The purchaser assumes liability for the installation of any wall mounting structure. Consult a professional architect, engineer or contractor to determine safe methods of installation to your facility's wall construction

- ◆ Inspect all contents prior to installation. Report any missing parts to dealer immediately.
- ◆ Read all instructions before proceeding.

ATTENTION!

BA735QC "Qwik Change" systems only use 2 of the wall struts (A) and associated hardware. Please recycle and/or discard the 1 extra wall strut and miscellaneous hardware. The instructions below will cover both 2 and 3 strut (BA785U "Zip Crank") installation. Figure 2 will show strut height and placement for the two strut application, Figure 3 will show the same for 3 strut usage.

1. Centered on each *wall strut* (A) you will find two holes approximately 4 1/2" apart with machined relief on the back. Drive two *elevator bolts* (B) into each strut until firmly seated and the head flush to the back of the strut. See Figure 1.
2. Mount the first *wall strut* (A) according to the "to playing surface" dimensions in Figure 2 for two strut installation and Figure 3 for three strut installation.
3. Once you have the lowest *wall strut* (A) secured to the wall, use the pole mounting plate in your system as a template to position the remaining *wall struts* (A). Double check the dimensions prior to drilling for anchors. The BA785U system requires the machined clearance in the *wall struts* (A) to be down at installation, please confirm before attachment. See Figure 2 or 3.

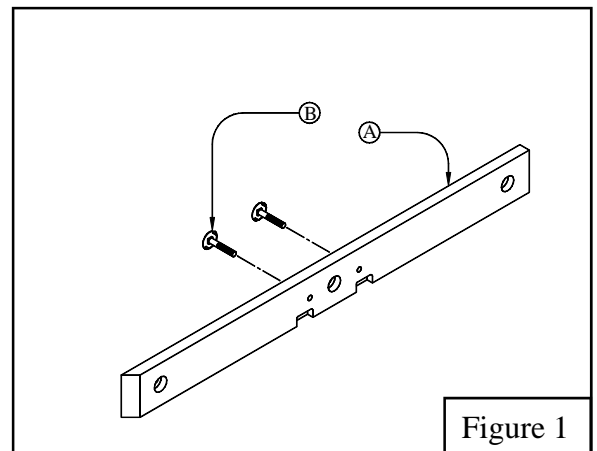


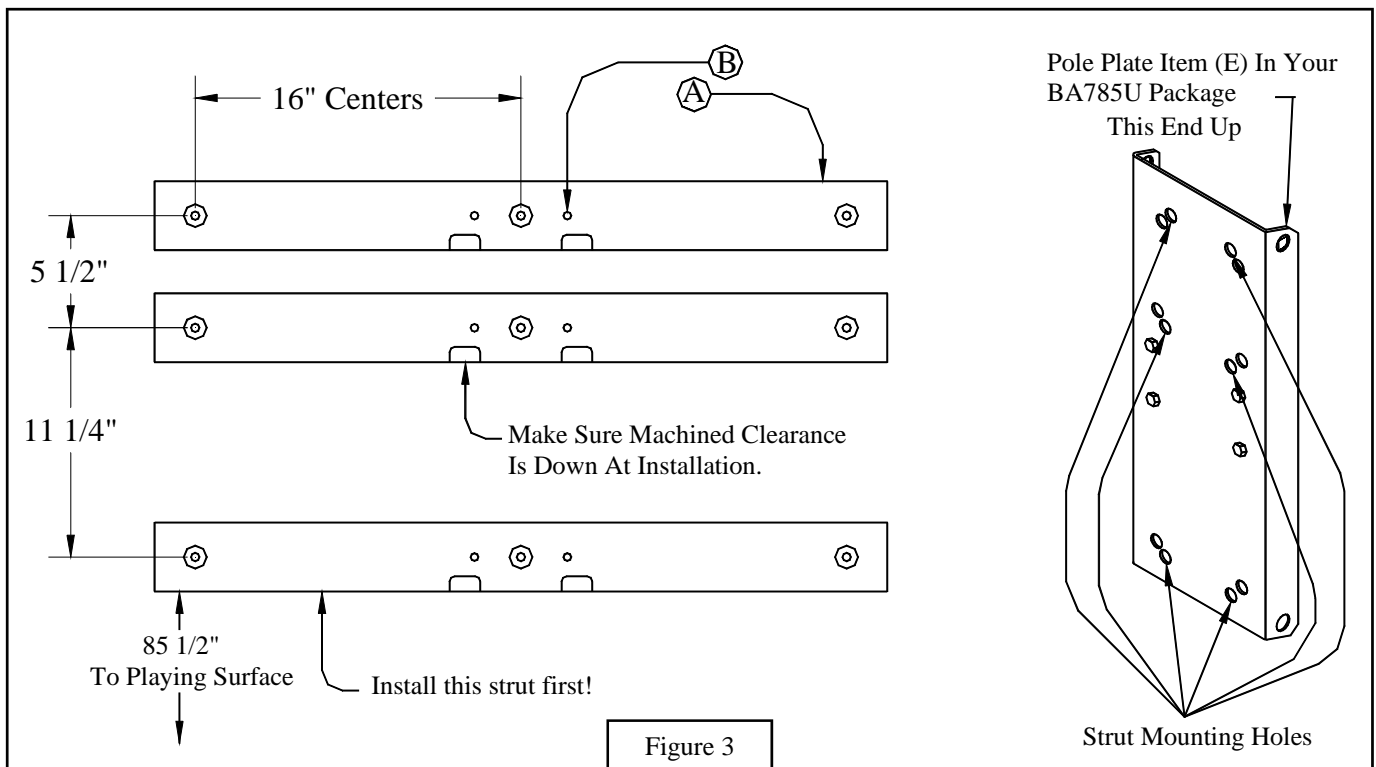
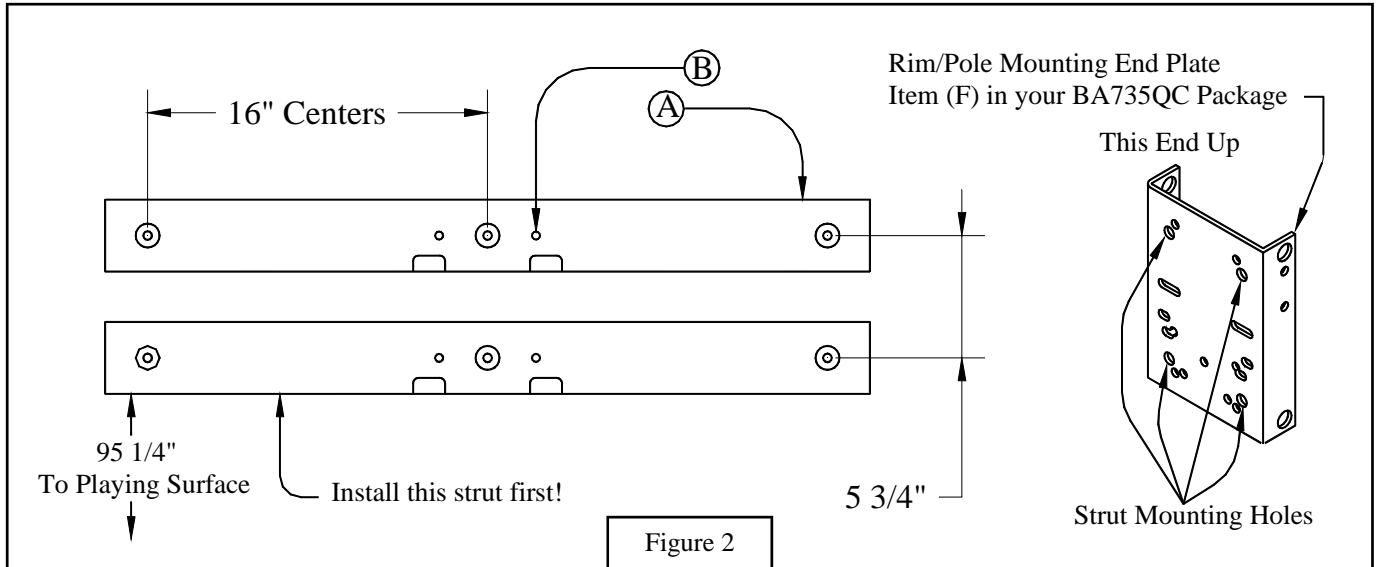
Figure 1

CAUTION!

Make sure wall struts are mounted level at installation as it will affect the basketball systems integrity.

NOTICE!

Each wall strut (A) has 3 mounting holes pre-drilled on 16" centers, make sure to use at least 3 anchors per strut. If the hole positions interfere somehow the struts can easily be drilled for custom mounting. REMEMBER you must have struts securely fastened to the wall, please use adequate fasteners.



4. Assemble your extension arm according to the instructions provided.
5. Install extension arm assembly to *wall struts* (A) using 3/8" flat washers (C), 3/8" lock washers (D) and 3/8" hex nuts (E).
6. Mount backboard and goal according to the instructions provided (goal may require pre-assembly).

BAACRYLIC

Special Acrylic Hardware



Customer Service
(800) 247 7668

PARTS LIST					
Item	Qty	Description	Item	Qty	Description
A	4	1/4" X 1 1/4" Special Bolt	B	4	1/4" Flange Nut

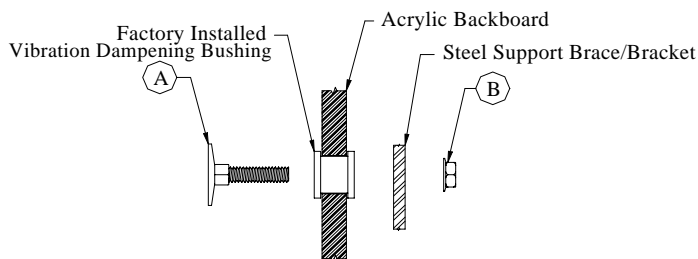
Note!!!

This hardware must be used to properly mount this acrylic backboard to your pole system. Disregard any hardware that was provided with the pole system that applies to other non-acrylic style backboards. Your pole system will require either 2 or 4 of the special bolts enclosed. Disregard the excess hardware. Failure to use the appropriate hardware will invalidate the warranty for this acrylic backboard.

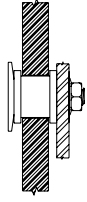
- ◆ Inspect all contents prior to installation. Report any missing parts to dealer immediately.
- ◆ Read all instructions before proceeding.

TOOLS/MATERIALS REQUIRED

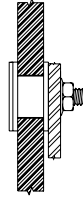
1 Each 7/16" combination wrench or socket



1. Determine whether your pole system will require mounting braces to all 4 brace mount holes in the acrylic backboard or only the top 2.
2. Remove the factory installed vibration dampening bushings from the 2 bottom holes if they are not to be used.
3. Following the adjacent illustration mount the backboard to the pole system braces making sure the hardware is used in the proper sequence to insure that all steel components are isolated from the acrylic by the vibration dampening bushings.
4. When everything is level, tighten the brace mounting hardware until the vibration dampening bushing compresses to the approximate diameter of the head of the *special bolt* (A). See illustration on back page.



Shown assembled finger tight



Shown assembled with properly compressed vibration dampening bushing

5. The minimal protrusion of the head of the special bolt (A) beyond the backboards playing surface when properly installed will not effect the rebound of the basketball.
6. Do not clean acrylic backboard with harsh cleaners as scratching will occur.