



First Team Sports, Inc | Thunder

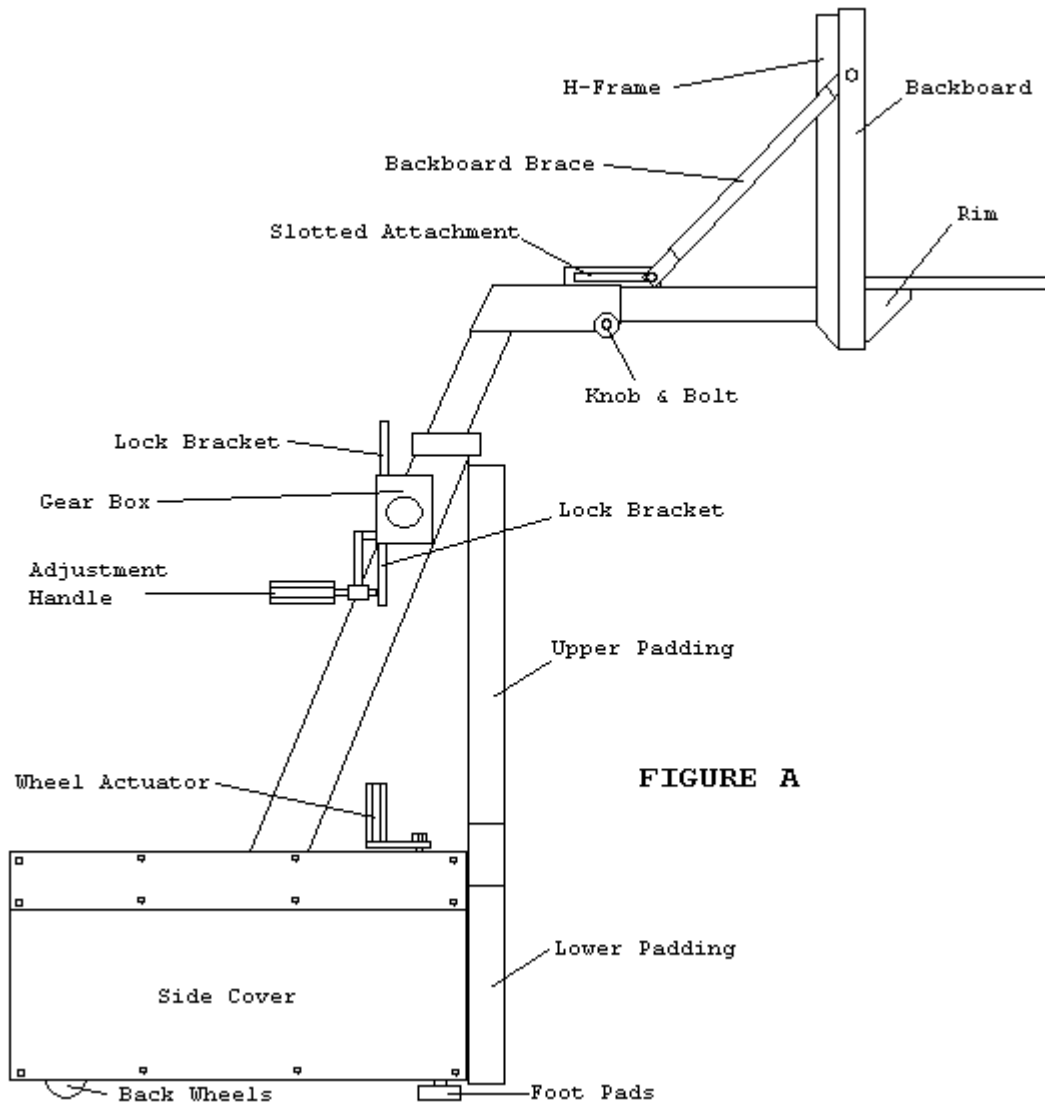


FIGURE A

Bill of Materials

- | | |
|--------------------------------------|----------------------------------|
| A (1) Portable Base Assembly | I (10) 5/16" Hex Nut |
| B (1) H-Frame Backboard Mount | J (1) 3/8"x 1 1/4" Hex Bolt |
| C (4) Bboard Brace (2 long, 2 short) | K (2) 3/8" Flatwasher |
| D (1) Set of Base Padding | L (1) 3/8" Lockwasher |
| E (16) 5/16"x 1" Mach. Screw | M (1) 3/8" Hex Nut |
| F (2) 5/16"x 2 1/2" Mach. Screw | N (1) Set of Rim Height Stickers |
| G (18) 5/16" Flatwasher | O (2) Padding Spacers |
| H (18) 5/16" Lockwasher | P (4) 3/8"x 2 1/2" Hex Bolt |

1. Remove portable base from shipping pallet. For your convenience your Thunder portable basketball goal has been 95% pre-assembled.

2. Remove both side covers from base of unit and install ballast. **WARNING!!** Failure to install minimum required ballast may result in serious injury! A minimum 700 lbs. of counter balance weight is required in the ballast compartment furthest back on the unit. Solid cement blocks are recommended, a minimum of (23) 4"x8"x16" solid cement blocks should be placed inside the box compartment furthest back on the unit. Blocks can be purchased at any home builders supply center. **DO NOT PROCEED WITH ASSEMBLY UNTIL 700 LBS. OF BALLAST HAVE BEEN INSTALLED!** As many as (10) additional blocks (600 lbs.) may be loaded into the mid-section of the unit to provide further stability.

3. Re-attach side covers.

4. Inside one of the boxes shipped with your unit you should find (1) H-Frame backboard mount, (4) Backboard Braces, and (1) Bolt Kit. Remove these items from the box.

5. Unpackage and lay your backboard face down on your working surface. Take note of the backboard's size and composition (tempered glass or acrylic). If your backboard is tempered glass (or FT222 42"x72" acrylic), check to make sure all four steel grommets are located at the rim holes, if any are missing look in the box (if grommets are missing and cannot be located do not proceed with assembly, call First Team immediately). If you purchased an acrylic backboard labeled FT215 or FT220 you should have received two rubber gaskets instead of the steel grommets.

6. Unpack your H-Frame and extend your H-Frame to either 36" or 42" in length depending on the height of your backboard. You may have to loosen and remove the 1/2" hardware on the side of the H-Frame to extend or retract H-Frame to appropriate length. Leave 1/2" hardware finger tight for now.

7. Lay the H-Frame down into the backboard aligning the four holes at the top and bottom of the H-Frame with the center four holes at the top and bottom of the backboard as shown in Figure B. If you are mounting an acrylic backboard labeled FT215 or FT220, place one rubber gasket between the faceplate of the H-Frame and the backside of the backboard. You will use the other gasket later during assembly. Also, if you are mounting an acrylic backboard labeled FT215 or FT220 you will have to remove and discard the plastic strap located at the backboard frame joint to complete this step. NOTE: FT222 42"x72" acrylic backboards do not require use of the rubber gaskets and do not have a plastic strap to remove.

8. Check to make sure the rim hole pattern in the H-Frame lines up with the rim hole pattern in the backboard, adjust as necessary. When you are satisfied with alignment, attach backboard to H-Frame at all points along the top and bottom of the board using (8) 5/16"x 1" slotted machine screws, (8) 5/16" flatwashers, (8) 5/16" lockwashers and (8) 5/16" hex nuts. (Figure B) Also, tighten all 1/2" hardware on the sides of the H-Frame at this time.

During step 9 remember to place a rubber gasket behind the rim if you purchased an FT215 or FT220 acrylic backboard.

9. Using at least five adults, lift the backboard/h-frame assembly up so that the rim holes in the backboard/h-frame assembly are in line with the rim holes in the extension arm faceplate. While three adults hold the backboard/h-frame assembly steady in place, the other two should lift up the rim and attach it using the hardware provided in the rim box. If you purchased a TEMPERED GLASS backboard or FT222 42"x72" acrylic backboard, use the (4) 3/8"x 2 1/2" hex bolts provided to attach

rim instead of the 3/8"x 2" bolts provided in the rim box. (Follow rim attachment instructions provided in rim box) Leave rim bolts finger tight for now, **DO NOT TIGHTEN RIM HARDWARE YET!**

10. Level the backboard & rim. First, make sure the base of the unit is sitting on a level surface and also make sure the base is resting on the footpads in front. If the foot pads are not contacting the floor, lower the base of the unit down by cranking the Wheel Actuator shown in Figure A until the foot pads are resting on the ground. Next, place a level along the bottom side of the backboard, adjust the backboard and rim independently until level. (If you cannot move backboard or rim, loosen rim bolts until you can) Once the backboard and rim are BOTH level you should tighten the rim bolts. **DO NOT OVERTIGHTEN RIM BOLTS!**

11. Next, attach Backboard Braces to the Slotted Attachment bracket as shown in Figure A. PLEASE NOTE: You have a SHORT set of braces and a LONG set. Use the SHORT braces if your backboard is 54" or 60" wide. Use the LONG braces if your backboard is 72" wide. The bracket on the extension arm is slotted to accommodate various backboard sizes. Attach braces using (1) 3/8"x 1 1/4" hex bolt, (2) 3/8" flatwashers, (1) 3/8" lockwasher and (1) 3/8" hex nut. Leave finger tight for now. **WARNING: It is extremely important that during step 11 and 12 you keep in mind that the backboard braces must be bent in a fashion that allows them to clear the welded ears on the silver inner boom when the extension arm is lowered to go through a door, etc. (See Operating Your Thunder Portable Goal) It is best if the braces are bent at the smash line where the flat portion ends and the tube begins. If the braces are bent improperly it could result in damage to the braces when folding the extension arm down. If you have questions please call First Team 1-888-884-6677.**

12. Using (2) 5/16"x 1" slotted machine screws, flatwashers, lockwashers and hex nuts, attach backboard braces to backboard using the pre-drilled attachment holes located on the sides of your backboard. Bend braces as necessary keeping in mind the above warning. Tighten all brace attachment hardware.

13. Before proceeding check to make sure your tubular backboard braces discussed in steps 11 & 12 do not interfere with the ability to lower down the extension arm. To lower extension arm remove the knob located on the side of the welded ears connected to the extension arm (Figure A). While holding on to the bottom of the backboard lift slightly while a second person slides the bolt out releasing the backboard to come down to storage position. As you CAREFULLY lower the backboard, observe the backboard braces. Are they clearing the silver ears? If not, re-bend them to compensate until they fully clear and return backboard to its upright position. Replace bolt and knob.

14. Attach upper and lower padding. Using the 5/16" machine screws, flatwashers and lockwashers, attach the upper pad and lower pad at their respective attachment points. **Note: You must use the two longer 5/16" machine screws for the bottom attachment on the lower padding.** Remember to use the (2) round tubular padding spacers provided to span the gap between the front side of the unit and the back side of the padding at the two attachment points lowest on the lower pad. Tighten until snug. (You must remove side covers in order to complete this step)

15. Re-attach side covers.

16. If you purchased backboard padding for your backboard, attach it now following the instruction provided in the backboard padding box.

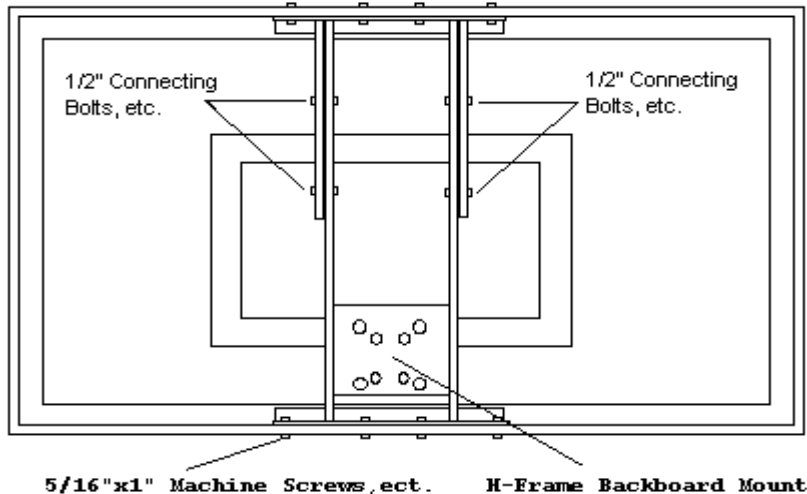
17. Check backboard level again. If it is slightly out of level, moderate adjustments can be made by slightly raising or lowering the foot pads. Foot pads can be adjusted using a 15/16" wrench.

18. You can now apply the various height stickers to the backside of the Inner Boom. Each sticker can

be positioned next to the Rack welded on the backside of the InnerBoom. Measure the rim height at each position with a measuring tape and apply the appropriate sticker using the intersection between the Inner Boom and the Outer Boom as a reference point. (See Figure A)

19. Check over entire unit making sure all hardware is tightened and secure. Assembly of your Thunder portable goal is complete! Keep these assembly instructions for future reference. Also, carefully read and follow the instructions provided under "Operating and Maintenance of your Thunder Portable Goal."

Figure B



Operating Your Thunder Portable Goal

Adjusting the rim height: Adjusting the rim height is simple. Simply turn the adjustment crank to raise the goal height, or reverse the cranking motion to lower the goal height. You will notice that there are two "Lock Brackets" bolted to the unit's gear box. The Lock Brackets have a hole punched in them that matches up to the male portion of your adjustment handle. When you have adjusted the goal to the desired playing height, it is best to stow the handle by inserting it into either the upper or lower "Lock Bracket" This will prevent any possible movement of the adjustment handle during play.

ATTENTION: DO NOT ADJUST UNIT ABOVE THE 10' PLAYING HEIGHT OR BELOW 6'6"!!!! DOING SO MAY RESULT IN DAMAGE TO YOUR UNIT NOT COVERED UNDER WARRANTY!

Moving the unit: First, lower the rim height down to approximately 7'. To move the unit, simply crank the "Wheel Actuator" until you see the front foot pads lift off the floor. Roll unit by pushing on the backboard directly below the rim and steer the unit by guiding the extension arm left or right. Once, you have reached the desired location crank the wheel actuator again to return the foot pads to the floor.

Moving unit through / under a doorway: Follow the instructions listed above for moving the unit. Once you reach the doorway, drop the backboard down by removing the knob and bolt that go through the extension arm. While holding on to the backboard, lift up slightly and slide locking pin inward releasing the backboard to come down. Now the unit may be rolled through the doorway. Raise backboard until locking pin snaps into place and replace bolt and knob. **NOTICE: Double-wide doors are necessary to allow unit to pass through doorway.**

Maintaining Your Thunder Portable Goal

Though your Thunder portable goal is designed and coated to withstand the elements, it is not advisable to leave the goal system outdoors for extended periods of time. If this cannot be avoided follow these steps to increase the life of the unit.

1. Remove padding when not in use. Rain can have a particularly damaging effect on the base padding wooden backing.
2. Grease the gear rack welded on the backside of the silver telescoping boom.
3. Grease the wheel actuator screw to insure free movement.
4. Keep unit covered when not in use. Use of a tarp or other waterproof cover similar to a grill cover will help keep the unit dry and prevent rust.

Additionally, check all bolts and nuts periodically to make sure they are tight and secure. Following these simple points will keep your Thunder portable goal in top operating condition season after season.