

the

# THUNDER

PORTABLE BASKETBALL SYSTEM



- Extensive backboard selection in acrylic or tempered glass
- Additional H-Frame backboard support for extra ball response
- All First Team goals are direct mounted to eliminate backboard breakage when players hang on the rim
- Optional bolt-on TuffGuard™ backboard padding

- Rim Height Indicator
- Safety padding covers front of base unit
- Simple hand crank adjustment easily adjusts rim height from 10' - 6'6"

**FREE!**

LTR 84  
Base Pad Lettering  
Upon Request

- Wheel brake locks unit in playing position

• Post to backboard extension distance is 48"

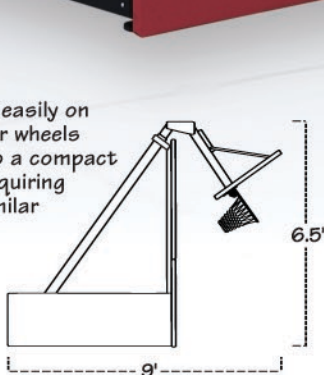
**WARNING!**

Failure to install customer supplied ballast according to instructions could result in serious injury.

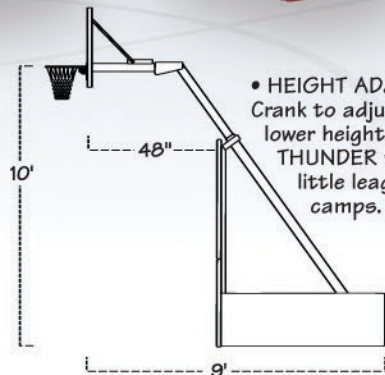
- Rim height adjusts for smaller players

- Compact & Easy to roll

- PORTABILITY - The THUNDER rolls easily on 6 non-marking roller wheels and folds down into a compact storage position requiring less space than similar portables.



- HEIGHT ADJUSTABLE - Crank to adjust the rim to lower heights and the THUNDER works great for little leagues and youth camps.



The Thunder portable basketball goal is an excellent choice for any school gymnasium, recreation complex, multipurpose facility or church in need of a high quality portable while working within a budget.

The Thunder is adjustable. Its simple to use hand crank allows for infinite height adjustments from regulation 10' down to 6'6". An easy to crank adjustment handle on the backside of the unit telescopes the backboard and rim to the desired playing height.

One person can easily move the Thunder portable goal. An easy to grip release crank unlocks the brake and six roller wheels contact the playing surface for smooth portability. The extension arm can quickly drop down to allow the unit to pass under any standard height double doors.

The distance from the backboard to the base of the unit is 4' with the rim at the regulation 10' height. This allows the base of the unit to sit "off the court" for player safety. Heavy foam padding covers the entire front of the unit for additional safety. Padding is available in several colors.

The unit is durable and stable enough to withstand slam dunk action and will not tip over when players hang on the rim.

Floor load on the wheels is:

Rolling - 275 psi

Stationary - 210 psi

A variety of backboards ranging from 36"x48" to 36"x60" are available on the Thunder.

This allows the unit to meet an array of facilities and budget needs.

Every Thunder package comes with a Lifetime Superior Warranty.



[www.TopHoops.com](http://www.TopHoops.com)

Top Hoops • [info@tophoops.com](mailto:info@tophoops.com) • 888.878.2942

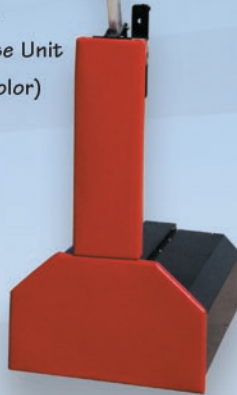


# THUNDER PACKAGE OPTIONS



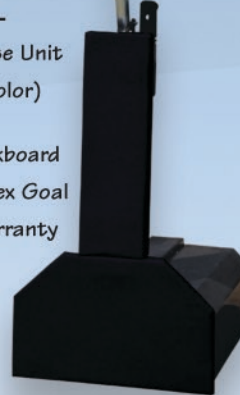
## THUNDER SELECT

- Thunder Portable Base Unit
- Base Padding (Any Color)
- FT220 36"x60" Acrylic Backboard
- FT186 Heavy Duty Flex Goal
- Lifetime Superior Warranty
- Approx. Shipping Weight: 810 lbs.



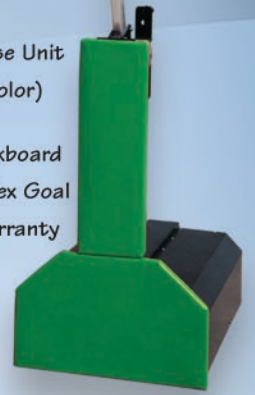
## THUNDER ULTRA

- Thunder Portable Base Unit
- Base Padding (Any Color)
- FT225 36"x54" Tempered Glass Backboard
- FT186 Heavy Duty Flex Goal
- Lifetime Superior Warranty
- Approx. Shipping Weight: 850 lbs.



## THUNDER PRO

- Thunder Portable Base Unit
- Base Padding (Any Color)
- FT230 36"x60" Tempered Glass Backboard
- FT186 Heavy Duty Flex Goal
- Lifetime Superior Warranty
- Approx. Shipping Weight: 855 lbs.



## THUNDER SUPREME

- Thunder Portable Base Unit
- Base Padding (Any Color)
- FT222 42"x72" Acrylic Backboard
- FT186 Heavy Duty Flex Goal
- Lifetime Superior Warranty
- Approx. Shipping Weight: 855 lbs.



## THUNDER ARENA

- Thunder Portable Base Unit
- Base Padding (Any Color)
- FT232 42"x72" Acrylic Backboard
- FT186 Heavy Duty Flex Goal
- Lifetime Superior Warranty
- Approx. Shipping Weight: 935 lbs.



<b>RY</b> Royal Blue	<b>SC</b> Scarlet	<b>GL</b> Gold	<b>PR</b> Purple	<b>KG</b> Kelly Green	<b>BK</b> Black	<b>CB</b> Columbia Blue	<b>MR</b> Maroon	<b>GR</b> Grey	<b>NB</b> Navy Blue	<b>OR</b> Orange	<b>FG</b> Forest Green	<b>BR</b> Brick Red	<b>SO</b> Sienna Orange	<b>DG</b> Desert Gold	<b>SB</b> Saddle Brown
-------------------------	----------------------	-------------------	---------------------	--------------------------	--------------------	----------------------------	---------------------	-------------------	------------------------	---------------------	---------------------------	------------------------	----------------------------	--------------------------	---------------------------

Thunder base padding is available in these colors. Shades may vary slightly from color chart.



[www.TopHoops.com](http://www.TopHoops.com)

Top Hoops • [info@tophoops.com](mailto:info@tophoops.com) • 888.878.2942