



**Varsity Jam Adjustable Basketball System**  
**Models: GP7G54, GP7G60**



**Installation, Operation and Maintenance Instructions**

.....  
**Please read all instructions before attempting installation or operation of these units**  
.....

**SAVE THESE INSTRUCTIONS FOR FUTURE USE**



## Table of Contents

<u>Section</u>	<u>Page No.</u>
Introduction.....	1
Safety .....	2
Specifications .....	3
Parts Checklist .....	4-5
Installation.....	6-17
Optional Post and Backboard Padding .....	18-19

## **INTRODUCTION**

Thank you for your purchase of a Gared Sports model Varsity Jam Adjustable Backstop. To ensure that our equipment will provide years of use to you, we are including this installation, operation, and maintenance guide. This guide will provide information on the proper assembly and installation methods, operating procedures, and preventative maintenance of your portable backstop.


Please note that a Bill of Materials is being included with this guide. Please check that all of the parts called out on the Bill of Materials are present prior to beginning assembly and setup. Please do not substitute for factory parts. Please contact your dealer or Gared or Performance Sports Systems customer service department and allow them to determine if substitute parts are acceptable.

It is recommended that an individual who has been properly trained perform assembly and set up of the backstop. No one under the age of 18 should attempt assembly or set up of the unit, unless properly supervised.

To prevent normal wear and tear from shortening the life of the unit, preventative maintenance inspections and repairs should be performed at least once per year. If the units are subject to high or unusual usage, inspections should be scheduled to occur more frequently. If items are found to be nonconforming, replacements can be ordered from Gared, Performance Sports Systems, or one of our authorized dealers. When contacting Gared or PSS, please have information regarding the dealer/installer who sold the unit, the name of the project, and any applicable warranty information.

## ***SAFETY***

Read and understand the following warnings to prevent possible personal injury and potential damage to the equipment during assembly, setup, and operation.

 **WARNING**

FAILURE TO FOLLOW THESE WARNINGS MAY RESULT IN SERIOUS INJURY AND/OR PROPERTY DAMAGE.

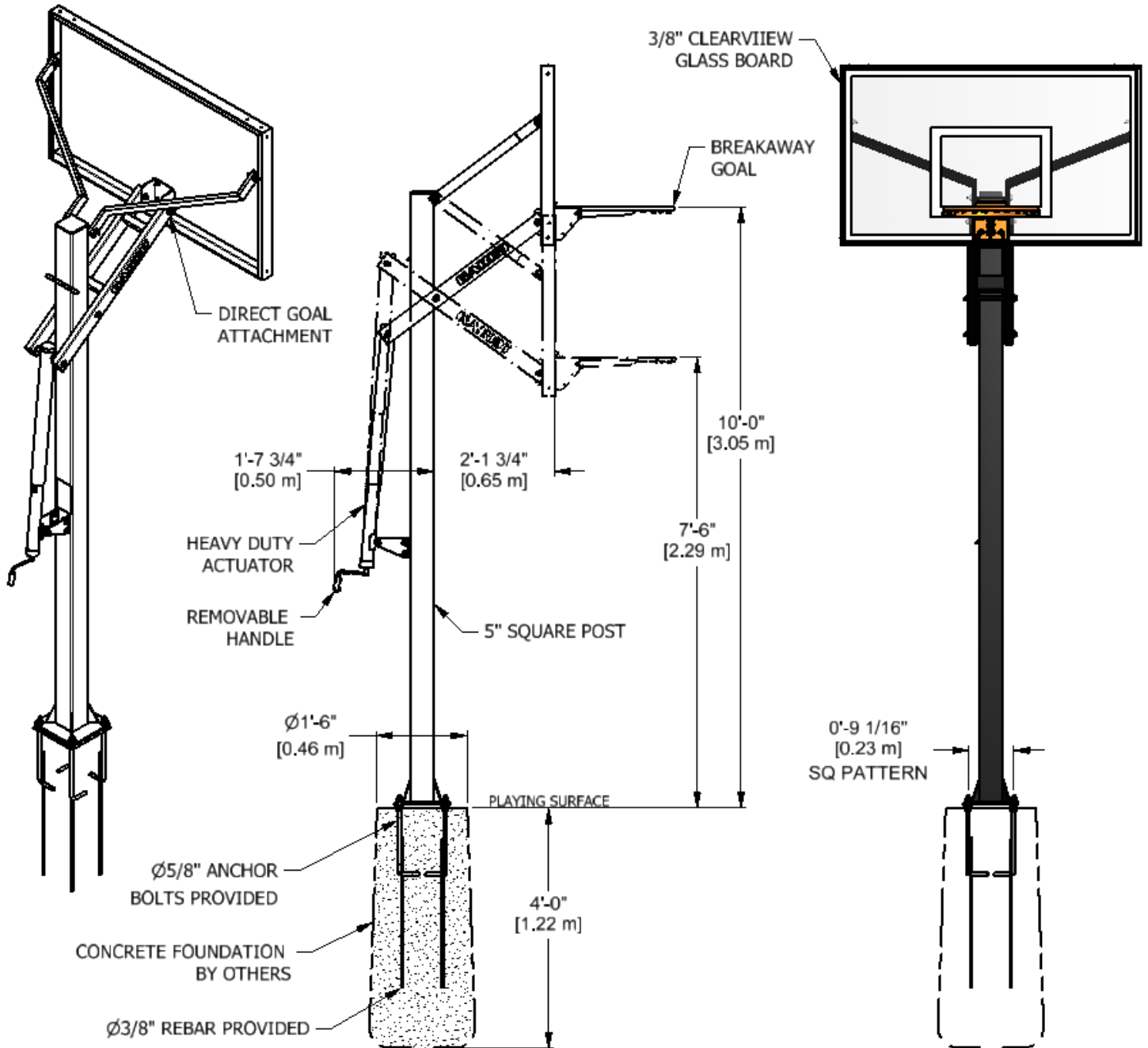
- Do not hang on goal, board or net.
- Do not climb or play on pole or arms.
- Do not hang or place additional weight on backboard or arms.
- Do not adjust goal height without adult supervision.
- Keep hands away from moving parts when adjusting goal.
- Inspect pole system twice a year for rust and repair or replace as required.
- Read and understand operator's manual before operating unit.

123051518

**Before proceeding with assembly, read all instructions and assembly procedures. Make sure all parts have been received and are not damaged.**

## SPECIFICATIONS

MODEL	GP7G54	GP7G60
Backboard size in [mm]	54" x 34" [1372 x 864]	60" x 36" [1524 x 914]
Weight lb [kg]	264 [120]	278 [126]



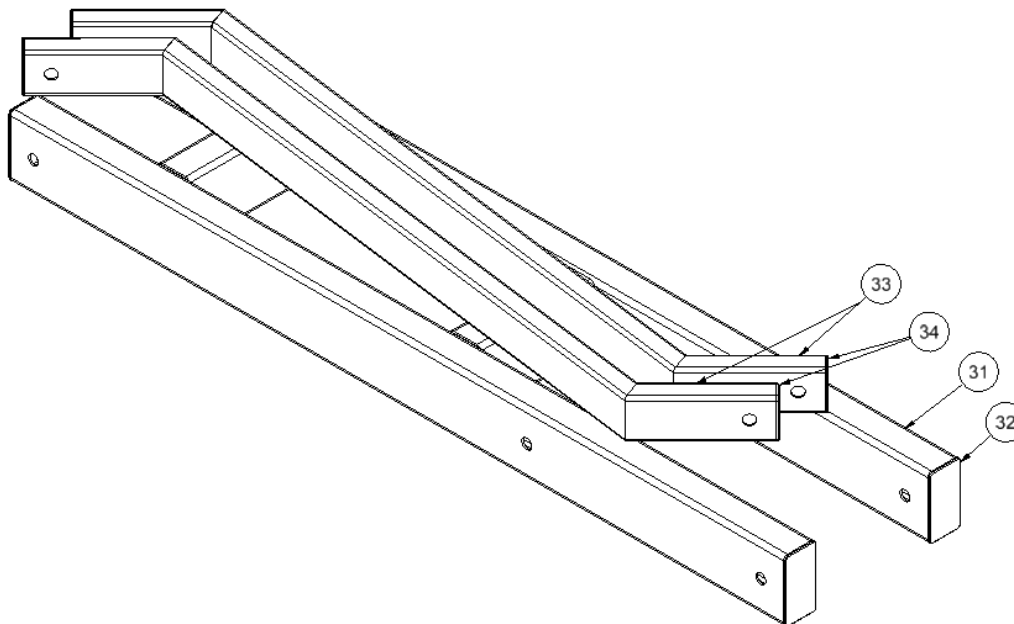
## PARTS CHECKLIST

Your unit should be shipped with the following packages. Be sure that all packages and parts are received before proceeding with installation. Please refer to your packing slip to verify the correct board and goal has been received. You may find that some parts have been preassemble from the factory such as Caps and Decals. Contact Gared Customer Service at 800-325-2682 or PSS Customer Service at 800-848-8034 for assistance with replacement of any parts missing or damaged.

MODEL	POST PKG	ARM PKG	BOARD	GOAL	OPTIONAL PADS		
					BASE	POLE	BOARD
GP7G54	453052650	453052651	BB5434G38	725	BP5SQ	PP5SQF or PP5WR	LSCE54
GP7G60	453052650	453052652	BB6036G38	725	BP5SQ	PP5SQF or PP5WR	LSCE60

### ARM PKG, GP7

ITEM	PART NUMBER	DESCRIPTION	GP7G54	GP7G60
			453052661	453052662
			QTY	QTY
31	453052636	ARM WELDMNT, LIFTING GP7	1	1
32	453052568	END CAP 40 X 80 X 3mm BLK	4	4
33	453052654	ARM, UPPER GP7 54"	2	
33	453052639	ARM, UPPER GP7 60"		2
34	453075000	CAP, END 1 X 2" TUBE BLK	4	4



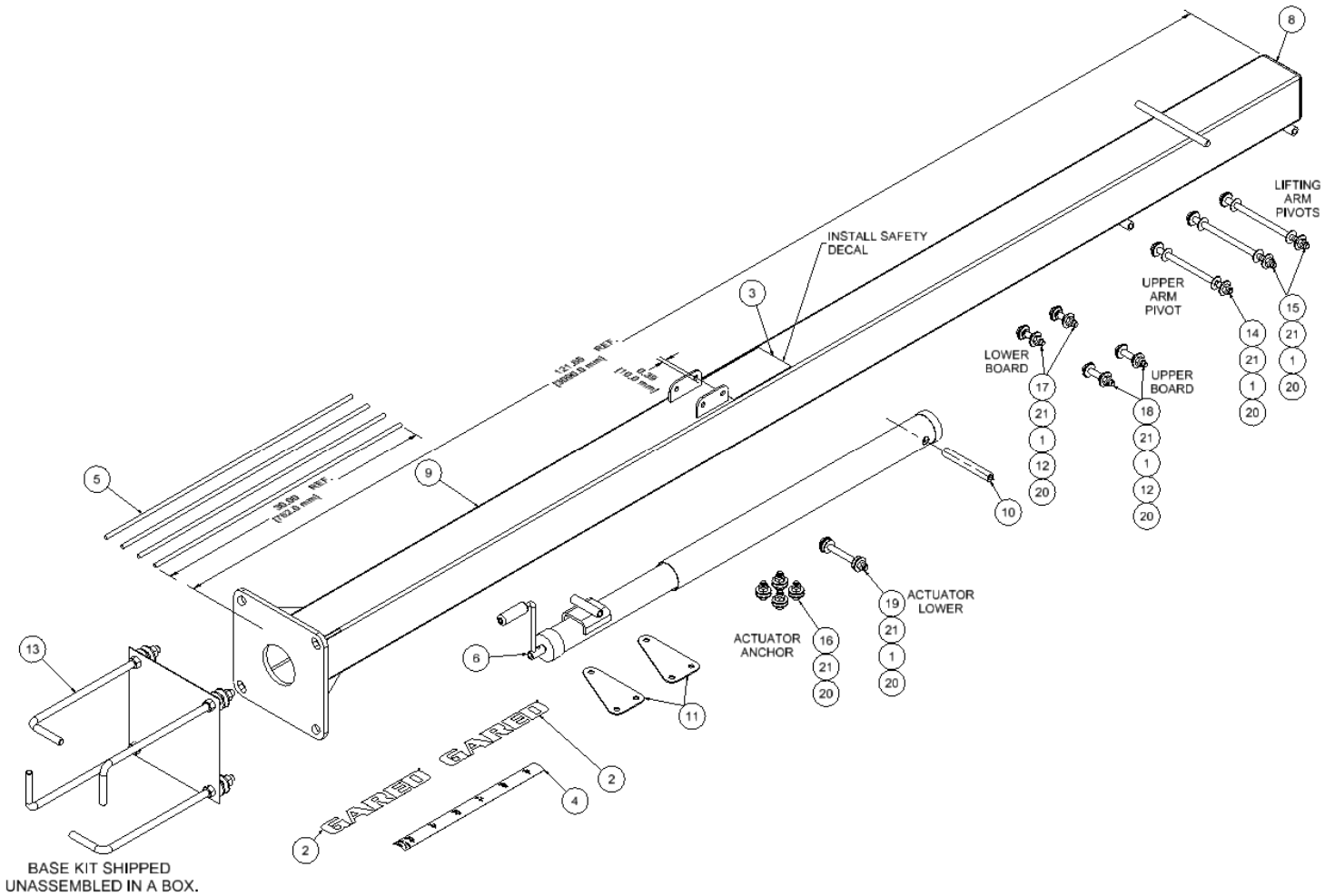


# Varsity Jam Adjustable Basketball System



## 453052650 POST PKG, GP7

ITEM	QTY	PART NUMBER	DESCRIPTION	ITEM	QTY	PART NUMBER	DESCRIPTION
1	24	111553503	WASHER, FLAT .50 X 1.25 X .06 DELRIN BLK	12	4	453052647	FLANGE BUSHING, 500x.625x.25 NON-MET
2	2	121974131	DECAL, GARED 1.7" WHITE	13	1	453052649	BASE HARDWARE KIT W/ TEMPLATE GP7
3	1	123051518	DECAL, WARNING GP SERIES	14	1	502-8-13-144	HEX BOLT, 1/2-13 UNC X 9
4	1	123051528	DECAL, HEIGHT ADJUST GP7	15	2	502-8-13-160	HEX BOLT, 1/2-13 UNC X 10
5	4	451652627	REBAR, 3/8 X 30" LONG	16	4	502-8-13-20	HEX BOLT, 1/2-13 UNC X 1.25
6	1	451652644	ACTUATOR ASSY, GP7 TOP WIND	17	2	502-8-13-40	HEX BOLT, 1/2-13 UNC X 2.5
7	1	451752653	MANUAL, INSTAL-OPER GP7	18	2	502-8-13-48	HEX BOLT, 1/2-13 UNC X 3
8	1	453052569	CAP, END 120mm SQUARE POSTS	19	1	502-8-13-80	HEX BOLT, 1/2-13 UNC X 5
9	1	453052630	POST WELDMENT, GP7	20	12	545-8-13	HEX NUT, NYLON LOCK 1/2-13
10	1	453052634	TUBE, ARM PIVOT GP7 (5.55")	21	24	561-8	FLAT WASHER 1/2
11	2	453052642	PLATE, ACTUATOR ANCHOR				





## Varsity Jam Adjustable Basketball System



### ***INSTALLATION***

#### **Tools and Materials Required for Assembly:**

1. (2) 12" Adjustable Wrenches.
2. Socket Set with  $\frac{9}{16}$ ",  $\frac{3}{4}$ " sockets
3.  $\frac{9}{16}$ " &  $\frac{3}{4}$ " End Wrench
4. Tape Measure
5. Hammer or Rubber Mallet
6. Shovel
7. Post Hole Digger.
8. Carpenter's Level
9. (2) Heavy Duty Step Ladders
10. (2) Sawhorses

#### **(For Optional Board Padding)**

11. Phillips Head Screwdriver
12. Electric Drill,
13.  $\frac{11}{64}$ " Drill Bit

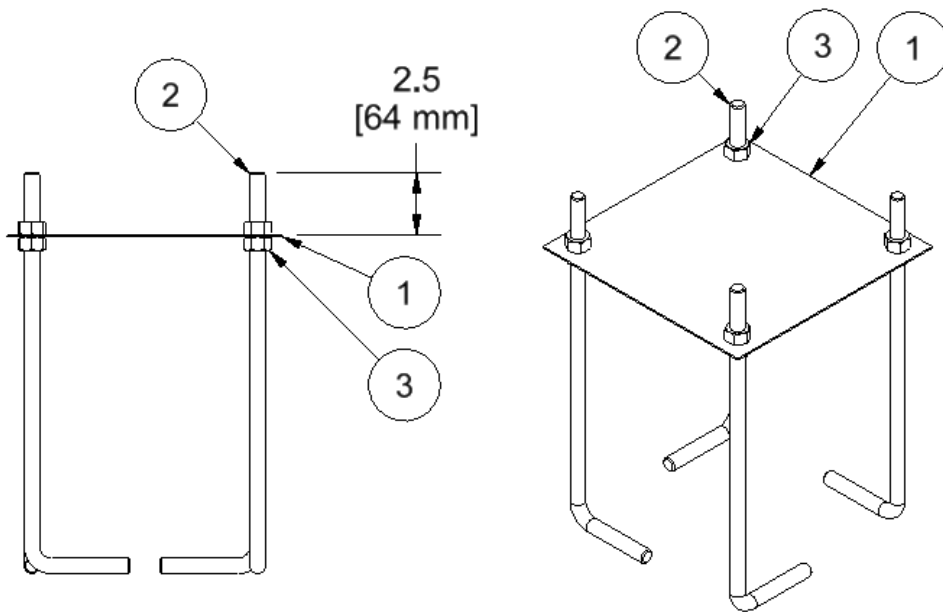
#### **Materials Required for Assembly:**

1. Concrete –1/2 yard or 15-16 bags of pre-mix (80 lb. bags)
2. (1) 2" x 4" x 8ft for forms.

## INSTALLATION INSTRUCTIONS

### INSTALL FOUNDATION

1. Assemble template plate and 'J' Bolts as shown in fig #1.
  - a. Find Template Plate and hardware in boxed inside the Post Package.
  - b. Install 5/8-11 Nut, item 3, onto each J-Bolt, item 2.
  - c. Insert J-bolt into Template Plate, item #1, and secure with 5/8-11 Nut, item #3.
  - d. Adjust until top of J-bolt is approximately 2.5" above Template Plate.
  - e. Arrange the J-bolts in the pattern indicated and tighten Nuts.

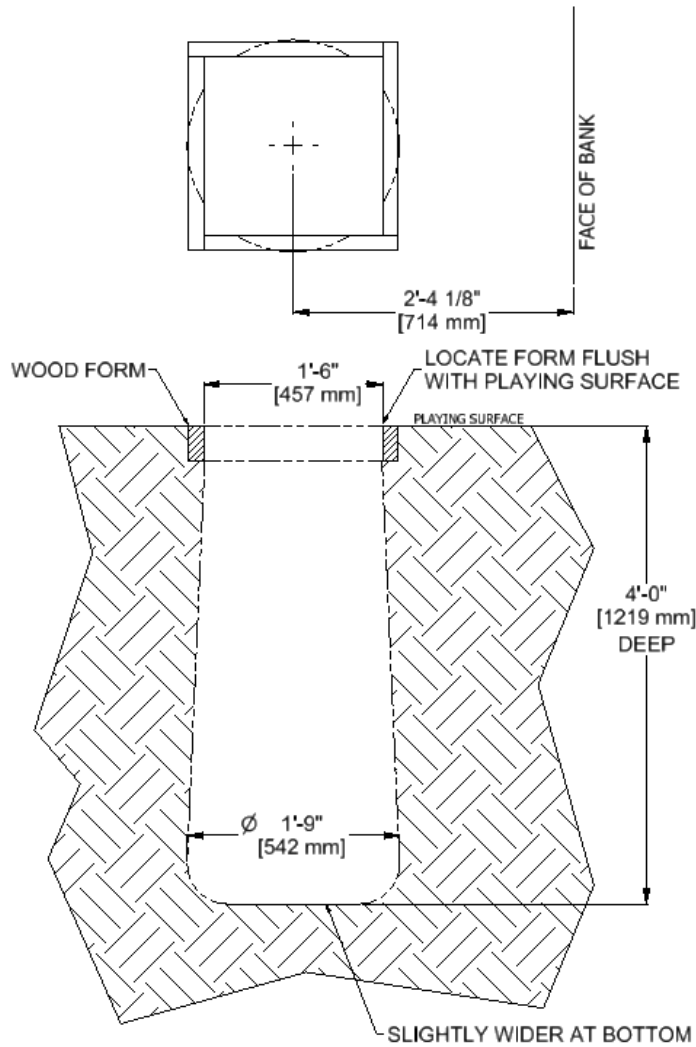


**Fig #1**

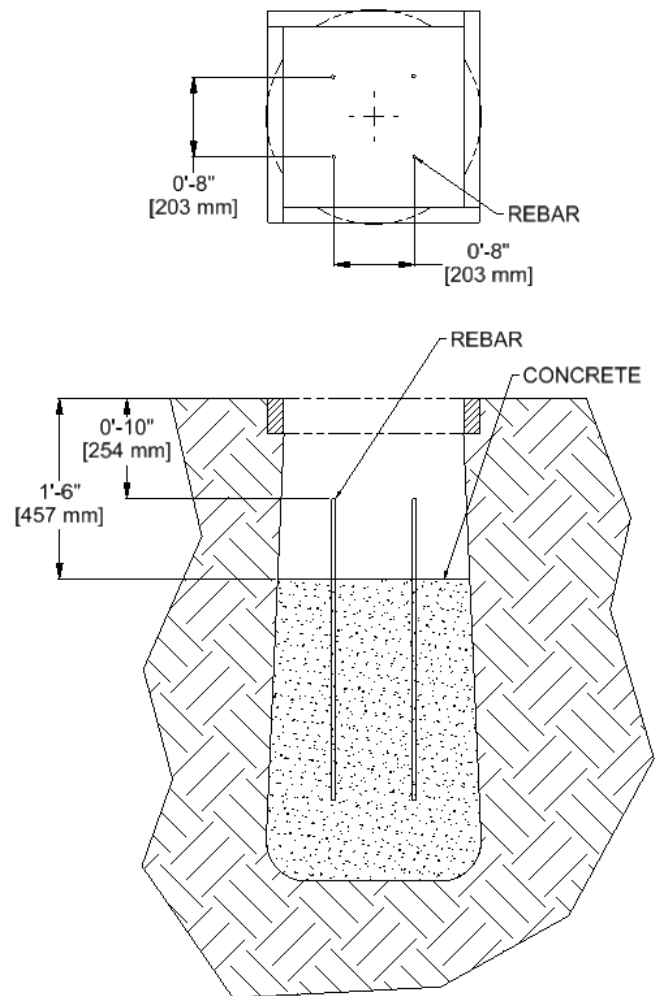
453052649 BASE HARDWARE KIT W/ TEMPLATE GP7			
ITEM	QTY	PART NUMBER	DESCRIPTION
1	1	453052645	TEMPLATE PLATE, GP7
2	4	453052646	J-BOLT, GP7 5/8-11 X 16
3	12	541-10-11	HEX NUT 5/8-11
4	8	561-10	FLAT WASHER 5/8
5	4	562-10	SPLIT LOCK WASHER 5/8



2. Use the illustration fig #2 below to dig and prepare the hole for casting and anchoring the template plate. The center of hole should measure as shown for the correct Face of Bank location.
  - a. Fill the hole with concrete to within 18" of surface as shown in fig #3.
  - b. Insert (4) 30" pieces of rebar into concrete on an 8" square pattern as shown in fig #3. Rebar should be positioned vertically 10" below the top of forms.
  - c. Finish filling the hole with concrete.

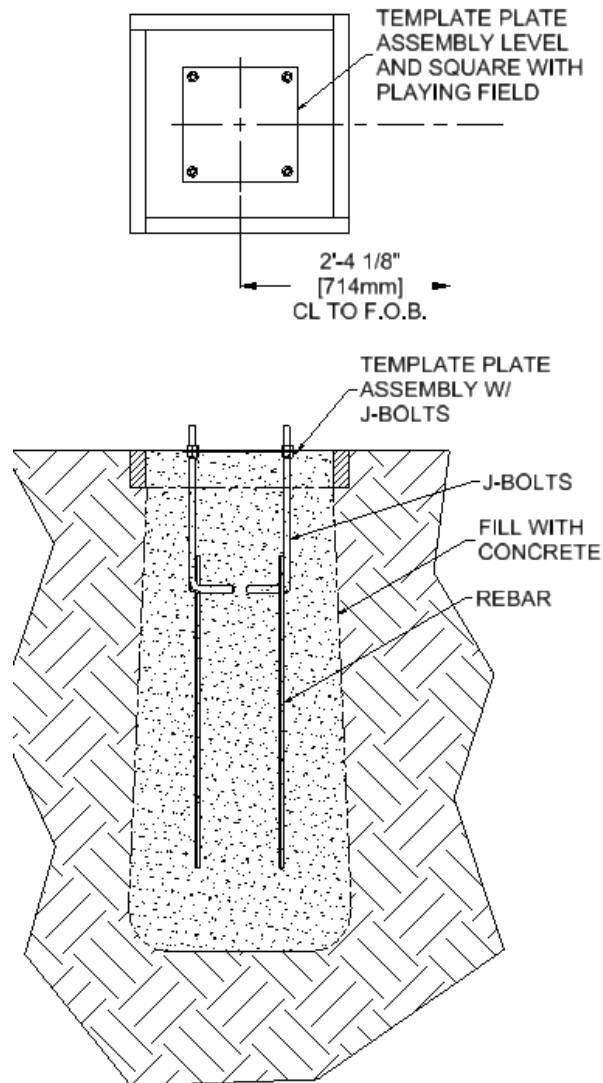


**Fig #2**



**Fig #3**

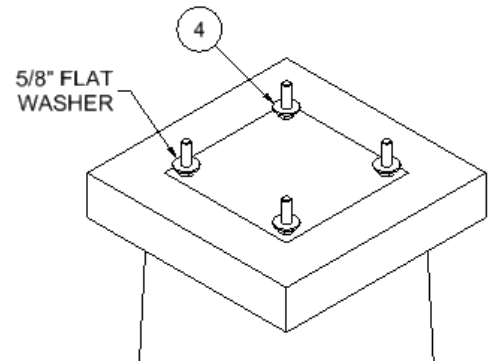
3. Set the Template Plate Assembly with J-bolts attached into the wet concrete.
  - a. Push template down flush with the top of the forms.
  - b. Agitate the Template Plate Assembly repeatedly to eliminate air bubbles in the concrete. Template should be resting on the level and finished concrete.
  - c. Level and square the template to obtain the desired Face of Bank (F.O.B.) as shown in fig #4.
  - d. Clean off any concrete from the template plate and exposed J-bolt threads.
  - e. **Allow concrete to cure a minimum of 72 hours before installing the rest of the basketball system.**



**Fig #4**

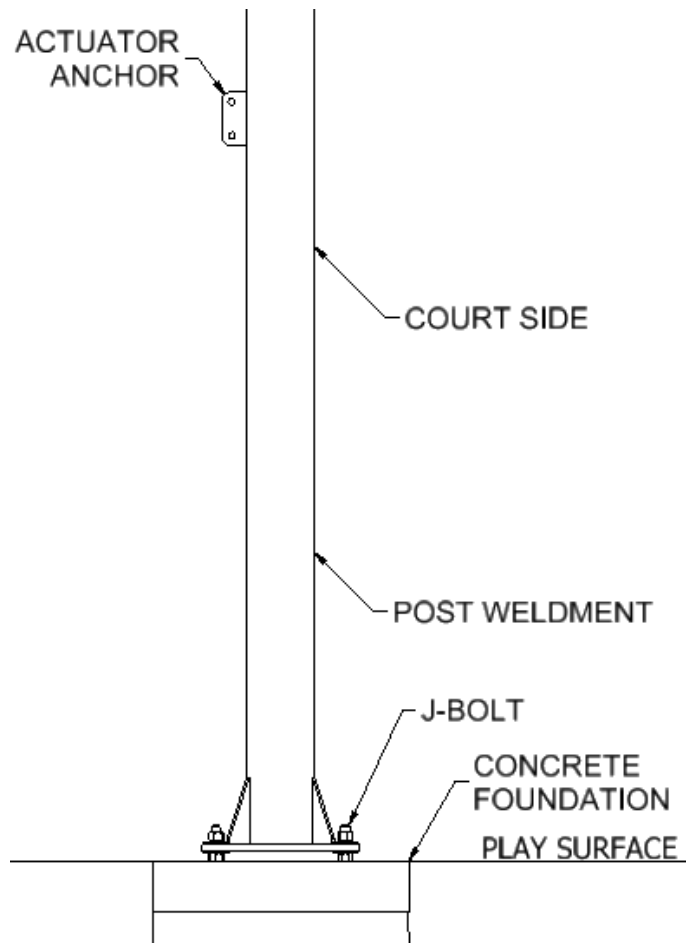
## INSTALL POST

1. Concrete should be cured for 72 hours before removing forms and continuing installation.
2. Place (4) 5/8" Flat washer on top of the (4) 5/8-11 Nuts as shown in Fig #5.

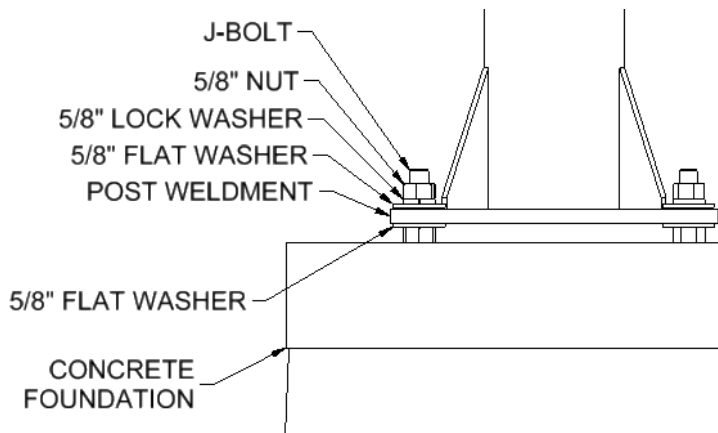


**Fig #5**

3. Raise and place the main post over the J-bolts as shown in fig #6. The post is heavy, so use at least two people for this operation. Be sure that the post is installed with the Actuator Anchor on the side away from the court.
4. Secure post with (4) 5/8" Flat Washer, 5/8" Lock Washer, and 5/8-11 Hex Nut as shown in fig 7.



**Fig #6**

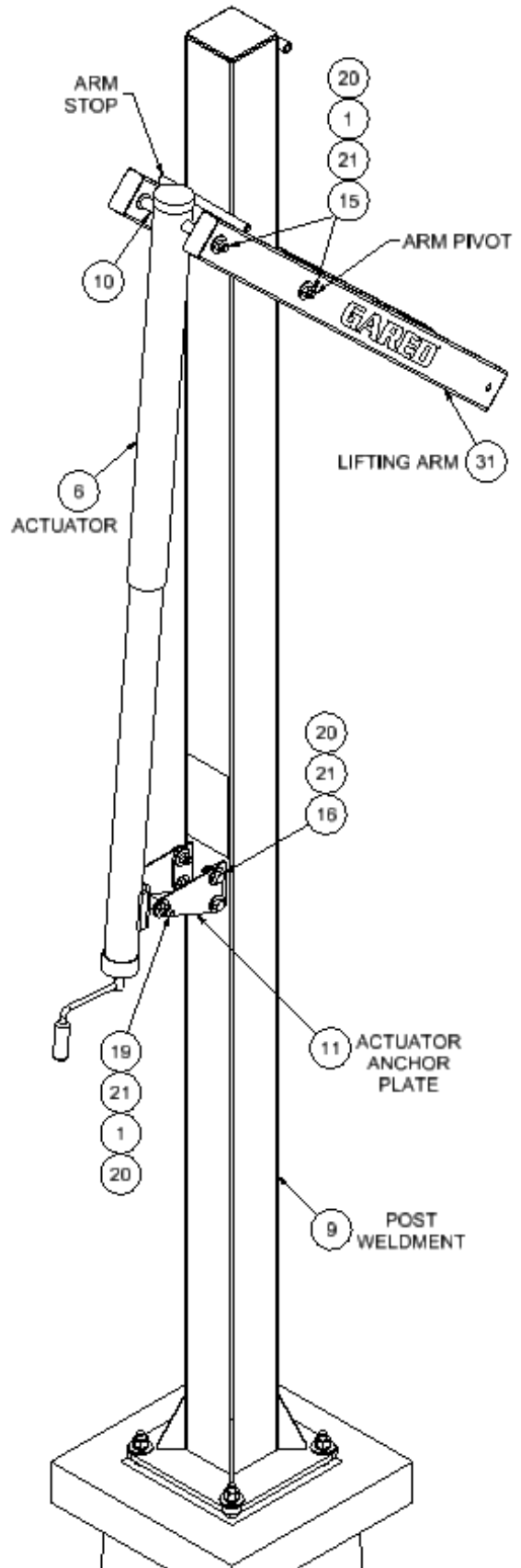


**Fig #7**

5. If the post is not exactly vertical, adjust the bottom nuts on the base to level. If the post is not exactly square to the court, rotate it.
6. When the post is vertical and square to the court, tighten all nuts securely.

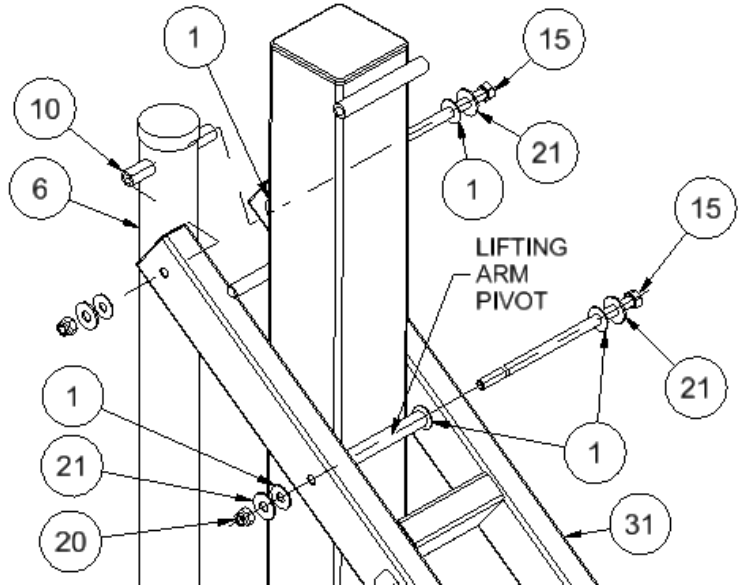
## INSTALL LIFTING ARM AND ACTUATOR

Follow the steps below to assemble the unit in the proper sequence. See the instructions on the following pages for more detailed information. Ballooned parts reference the packing list item numbers

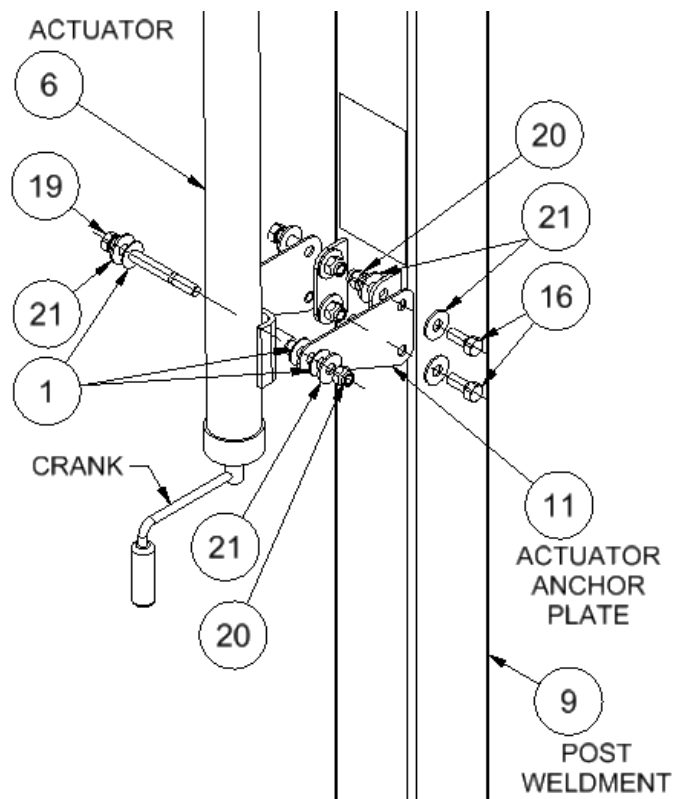


## Install Lifting Arm and Actuator

1. Attach the Lifting Arm, #31, to the Post Weldment using  $\frac{1}{2}$ " x 10" Bolt, #15, and hardware indicated. Allow Lifting Arm to rest on Arm Stop when bolt is inserted. Tighten Lock Nut to remove clearance only. **Do not torque.**
2. Attached upper end of Actuator, #6, to Lifting Arm using Tube, #10 and  $\frac{1}{2}$ " x 10" Bolt, #15, with hardware indicated. Tube should pass through both the hole in the plastic rain sleeve and the hole in the Actuator. Tighten Lock Nut, #20, to remove clearance only. **Do not torque.**

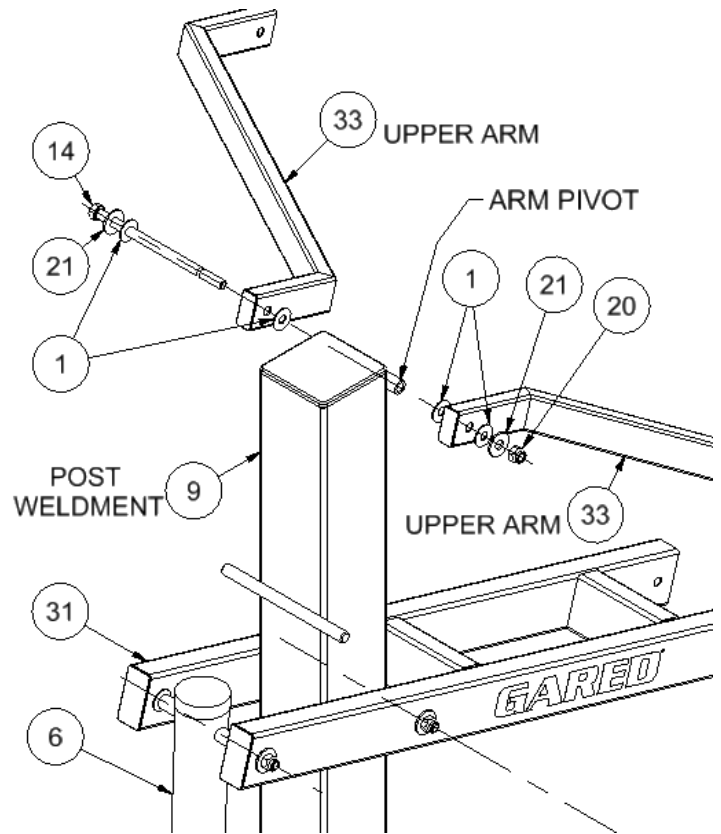


3. Attach the Actuator Anchor Plates, #11, to the Post Weldment using  $\frac{1}{2}$  x 1  $\frac{1}{4}$ " Bolts, #16, and hardware shown. Tighten bolts.
4. Attach the Crank Handle and crank the Actuator clockwise to lengthen it until the crank end can be attached to the Anchor Plate, #11 on the Post Weldment using a  $\frac{1}{2}$ " x 5" Bolt, #19, and hardware as indicated. Tighten Lock Nut, #20, to remove clearance only. **Do not torque.**
- 5.



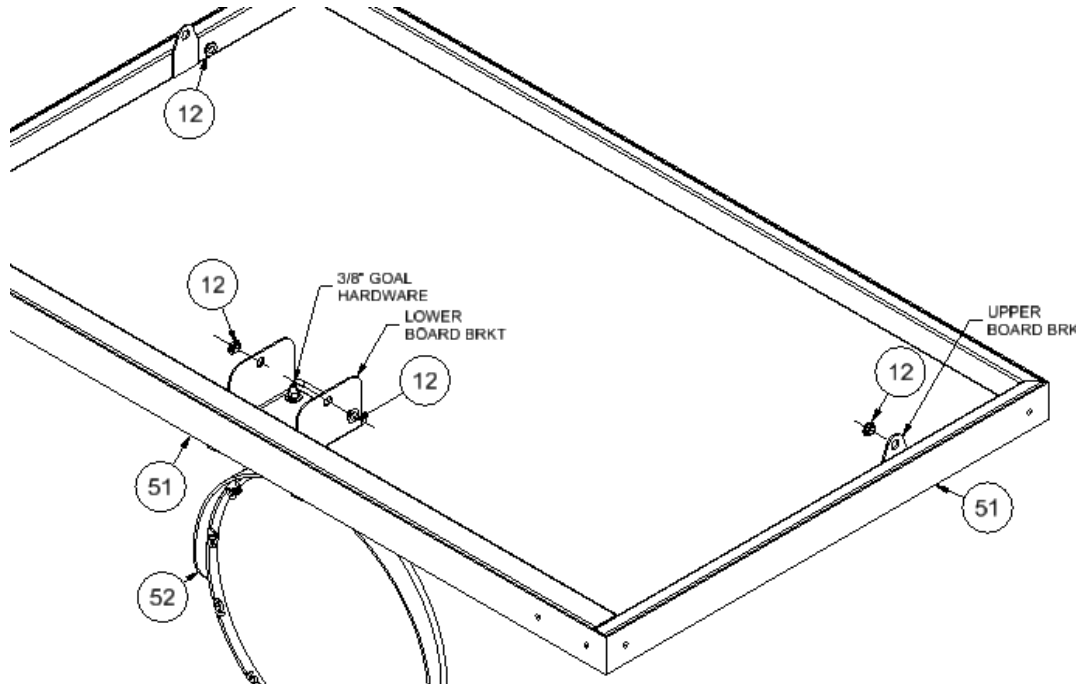
## Install Upper Arms

- Attach Upper Arms, #33, to the Upper Arm Pivot in the Post Weldment, #9, using  $\frac{1}{2}$ " x 9" Bolt, #14, and hardware indicated. Allow arms to swing vertically down at this time. Tighten Lock Nut, #20, to remove clearance only. **Do not torque.**

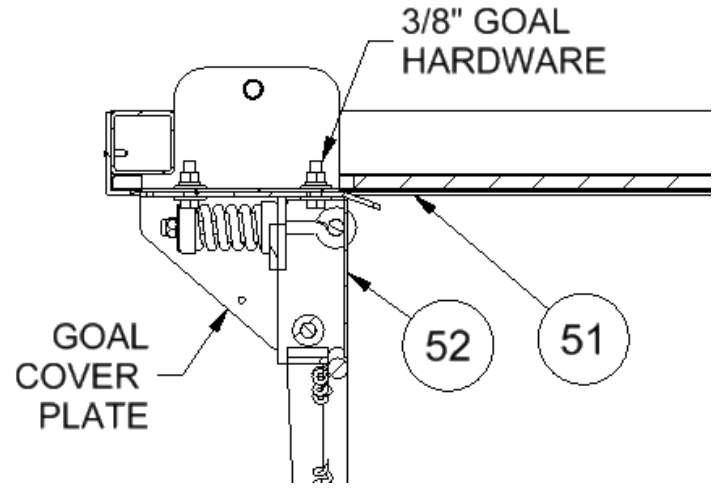
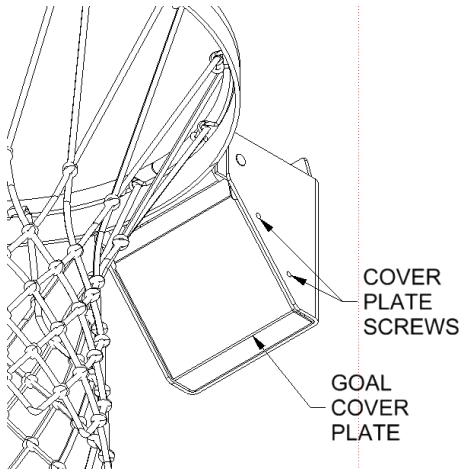


## Prepare Board for Installation

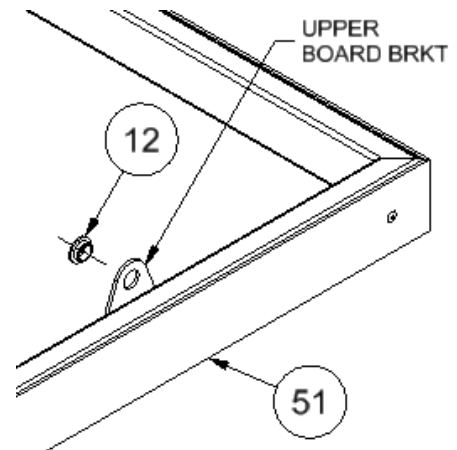
- Support Backboard on (2) sawhorses with the goal side down. Use cardboard packing material under board face to prevent scratching glass and frame



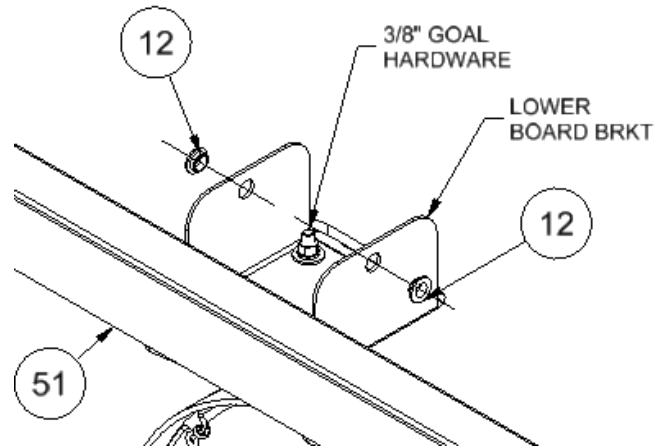
- Remove Goal Cover to gain access to Goal mounting hardware. Attach Goal, #52 to front side of Board, #51, using 3/8" hardware and instructions provided with goal.



- Install 1/2" Flanged Bushing, #12 into the two Upper Board Brackets located on the outer edges of the board. Insert Bushing from the inside as shown. A light tap from a rubber mallet may be required to seat Bushing.

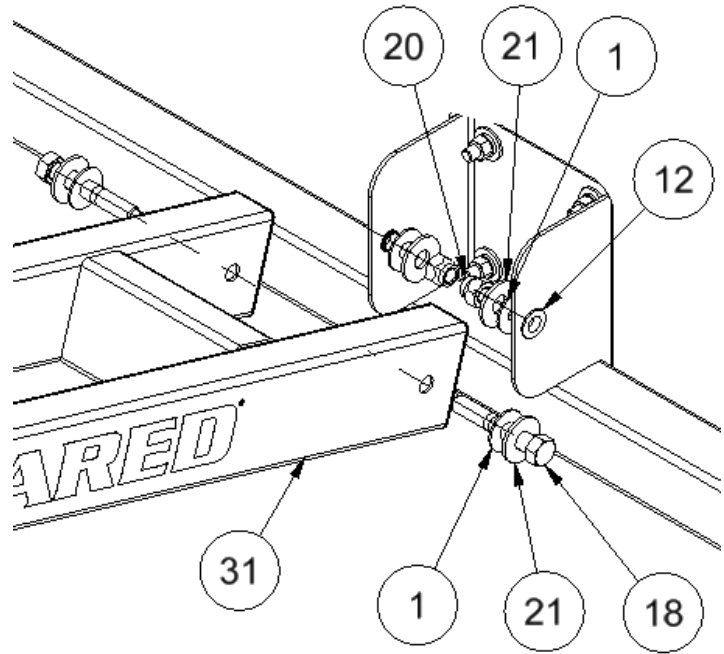


- Install 1/2" Flanged Bushing, #12, into the two Lower Board Brackets located on the back side of the goal plate. Insert Bushing from the outside as shown. A light tap from a rubber mallet may be required to seat Bushing.



## Install Board

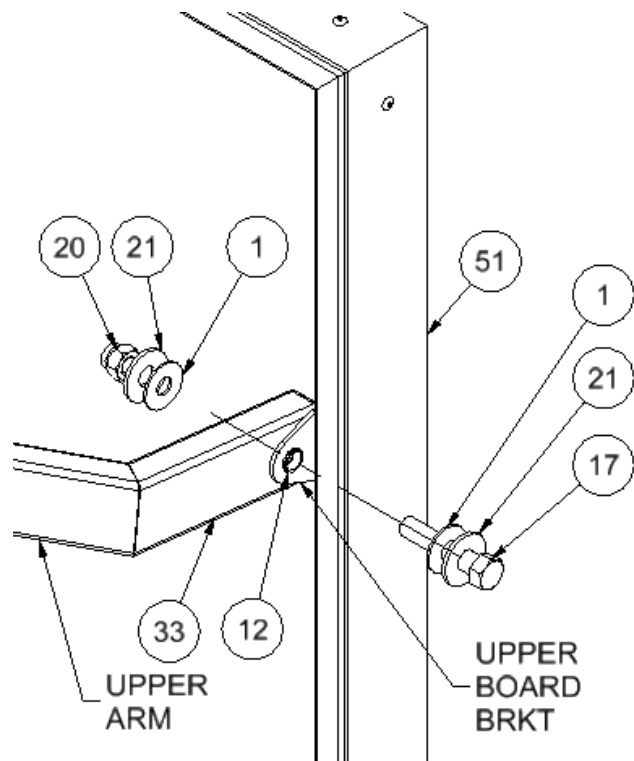
1. Be sure Bushing, #12, has been installed. Attach the Backboard and Goal onto the Lifting Arm, #31, with (2) 1/2 x 3" Bolts, #18, and hardware as indicated. It is easiest to mount the board with the Lifting Arm in the full down position, resting on the Arm Stop. The Lifting Arm, #31 will go to the outside of the Lower Board Brackets. Tighten Lock Nut to remove clearance only. **Do not torque.**



**\*Helpful hint;** Working out of the bed of a truck may be easier than using ladders. The backboard is very heavy.

**The Board and Goal can weigh nearly 125 lbs. Make sure that you have enough help to complete this operation safely!**

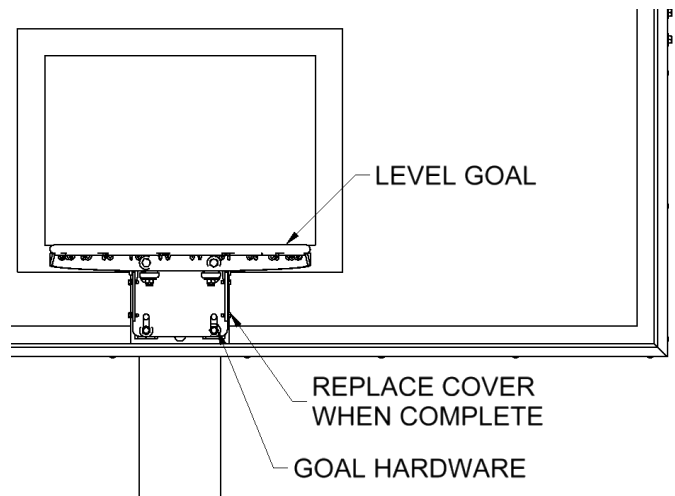
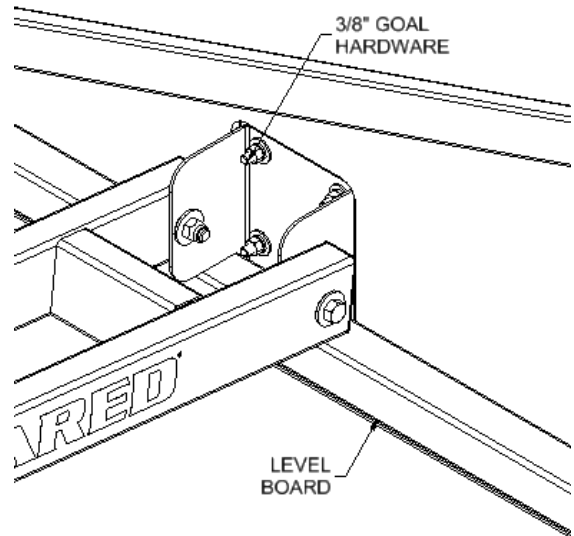
2. Be sure Bushing, #12, has been installed. While holding the Board in a vertical position, swing the Upper Arms, #33, up to meet the Upper Board Brackets and attach using 1/2" x 2 1/2" Bolts, #17, and hardware as indicated. Arm should be located to the inside of the Upper Board Bracket. Tighten Lock Nut to remove clearance only. **Do not torque.**





## Level Goal

1. Check the level of the bottom of the Board and the top of the Goal. If adjustments need to be made, loosen 3/8" goal hardware. Level Board and Goal and retighten.

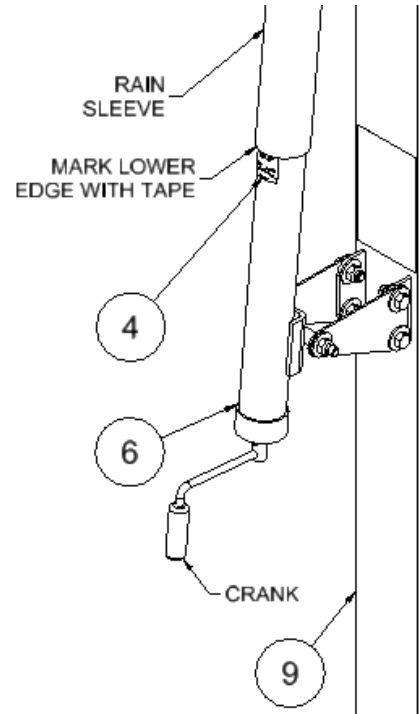
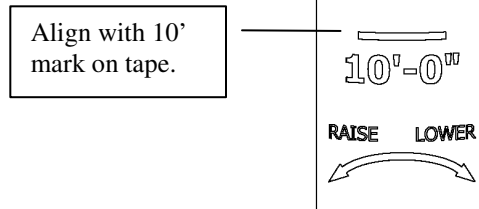


2. Be sure that all Board and Goal hardware is tight. Install Goal Cover plate.

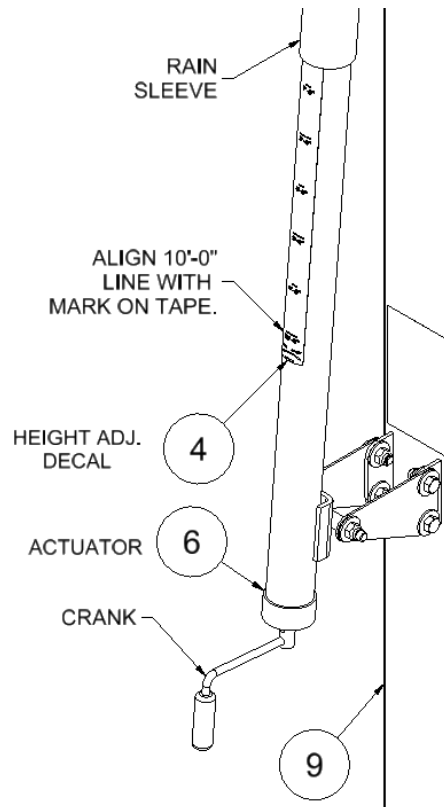
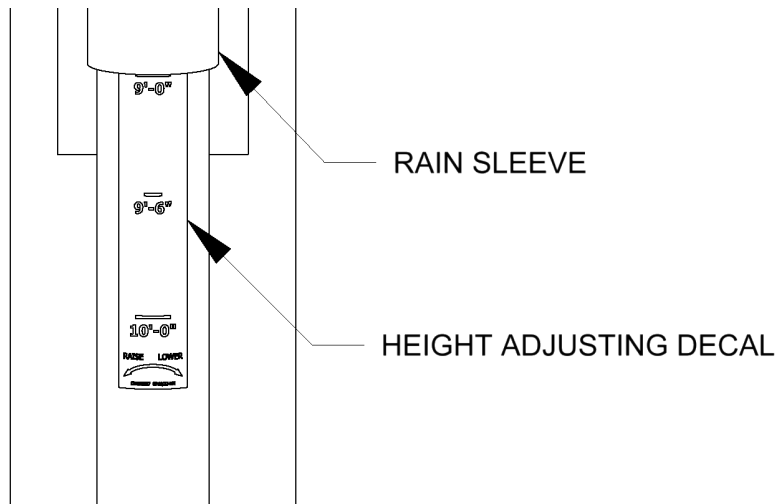
## Install Height Adjusting Decal

1. Crank Goal to the 10'-0" position. Crank counter-clockwise to raise goal. Measure from the playing surface to the top of the goal ring. Using a piece of tape, mark the location of the lower edge of the rain shield.

2. Crank the Goal to the minimum height so that the Lifting Arm rests on the stop. Crank clockwise to lower.

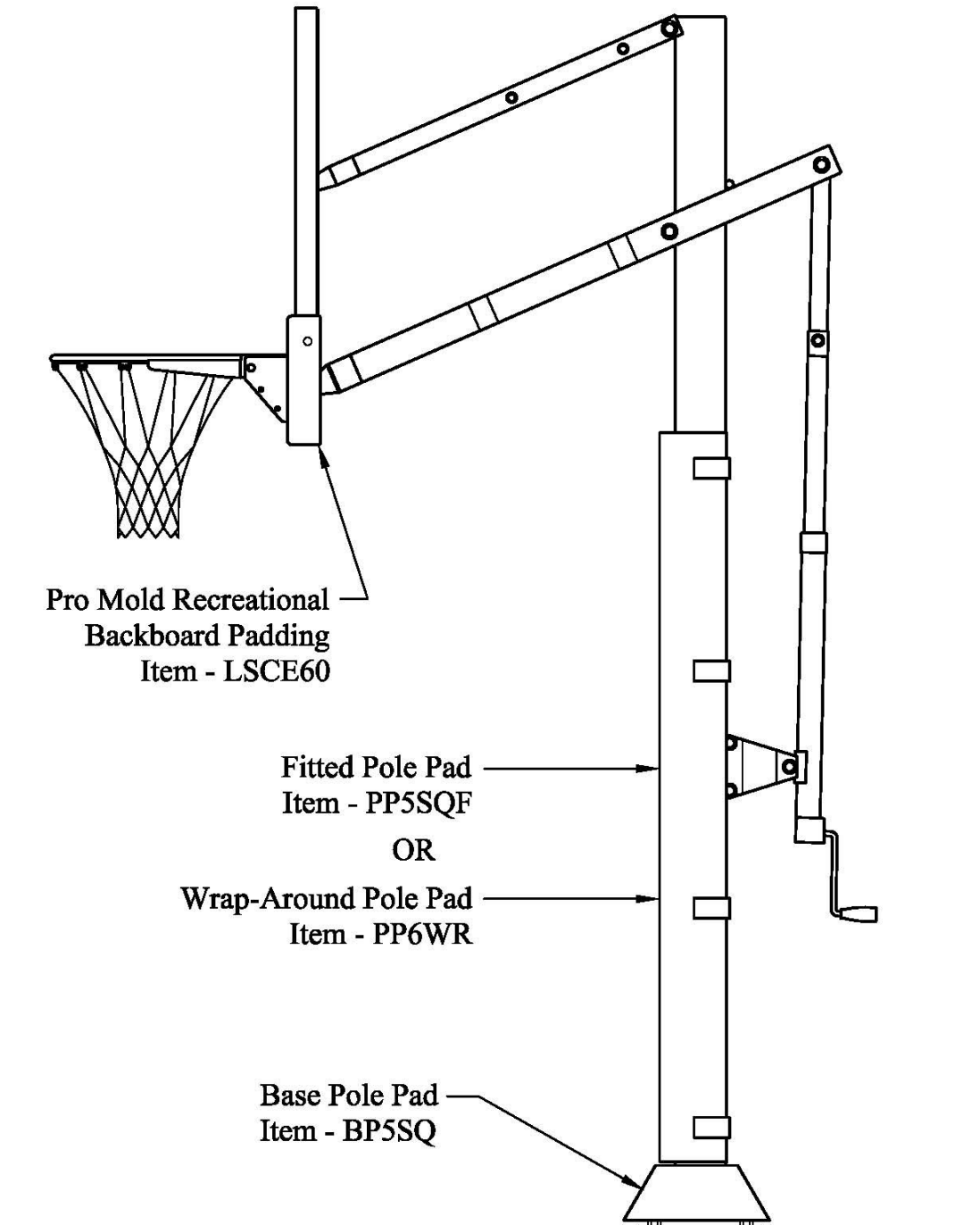


3. Apply Height Adjusting Decal, #4, so that the 10'-0" line aligns with mark from step #1.
4. Adjust Goal to the desired playing height by cranking up or down until the desired height mark aligns with the lower edge of the Rain Sleeve.

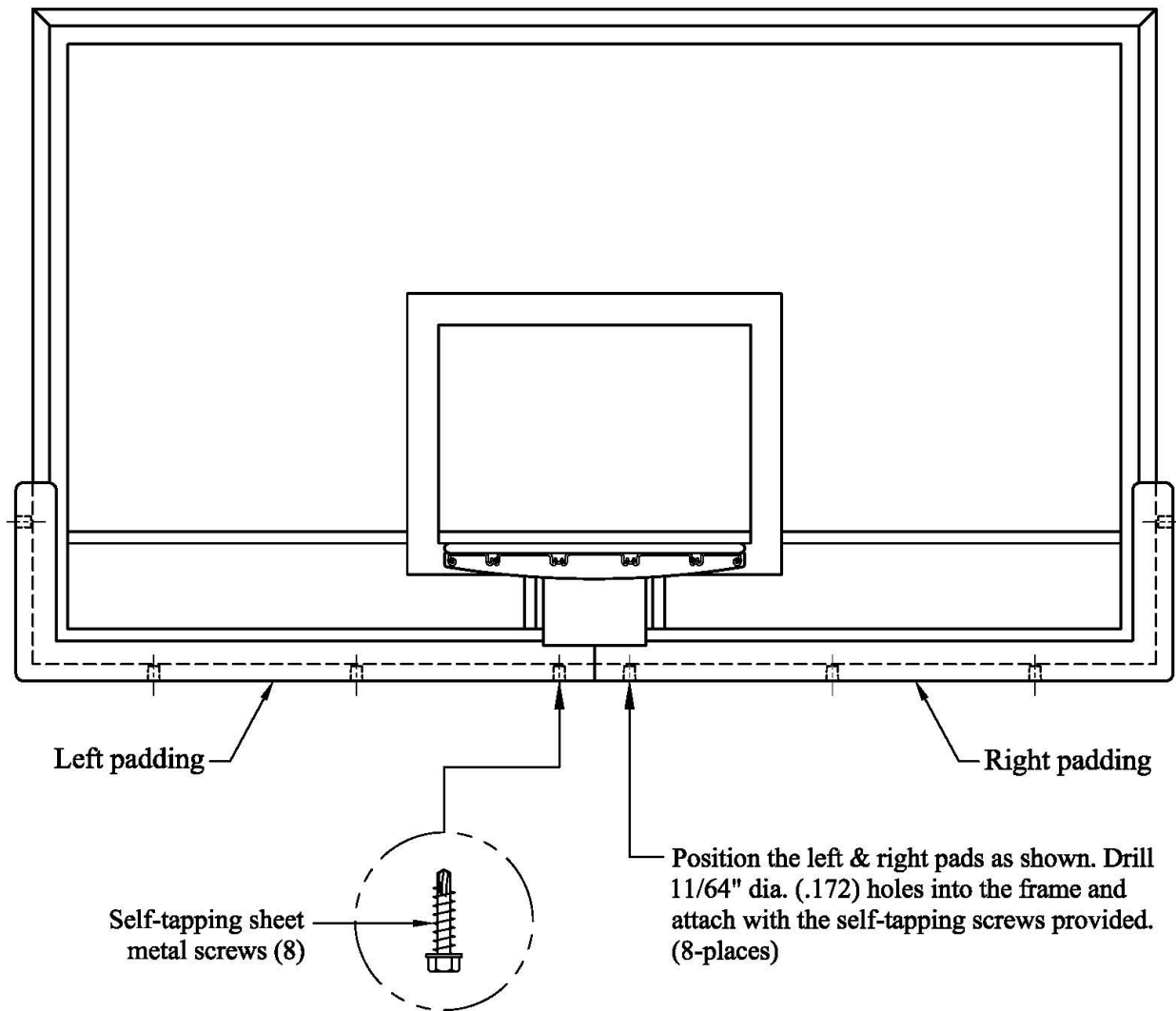


### *Installing Optional Padding*

Note: The padding options shown below are purchased separately.



The following illustration shows how to attach the optional LSCE54 or LSCE60 Pro Mold Recreational Backboard Padding (if purchased). The padding may be attached before or after the backboard has been mounted in.





## Varsity Jam Adjustable Basketball System





**Gared Holdings, LLC**

**Performance Sports Systems**  
9200 E. 146<sup>th</sup> Street  
Noblesville, IN 46060

800-848-8034  
[www.perfsports.com](http://www.perfsports.com)

**Gared Sports**  
707 North 2<sup>nd</sup> Street  
St. Louis, MO 63102

800-325-2682  
[www.garedsports.com](http://www.garedsports.com)