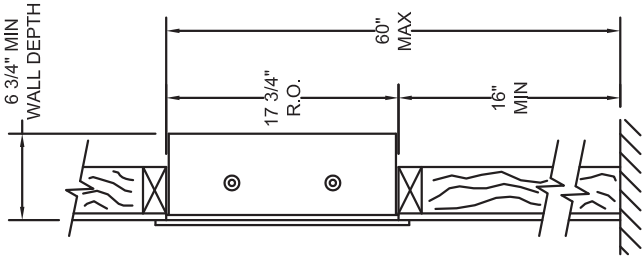
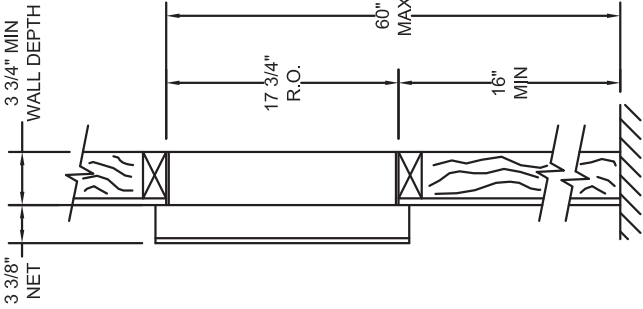


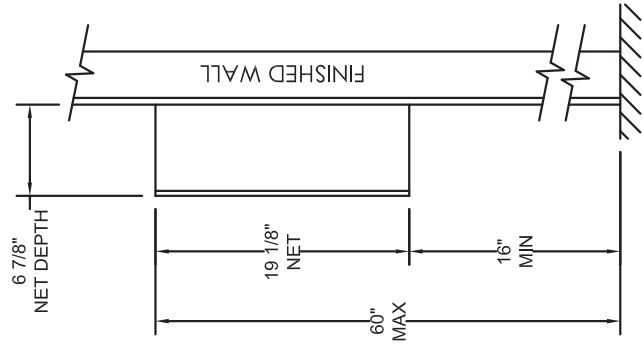
1250-4 VERTICAL STYLE MAILBOX



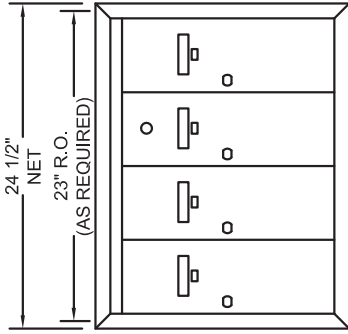
FINISHED FLOOR
(RECESS MOUNT)



FINISHED FLOOR
(SEMI-RECESS MOUNT)



FINISHED FLOOR
(SURFACE MOUNT)



- NOTES:**
- STANDARD:**
- (1) 1250-4 SERIES ALUMINUM CABINET WITH (3) STANDARD SIZE DOORS (16"H X 5 1/2"W), AND (1) STANDARD SIZE MASTER DOOR PREPARED FOR POSTAL MASTER LOCK.
 - CLEAR ANODIZED FINISH.
 - 5-PIN CYLINDER CAM TYPE LOCK WITH (2) KEYS EACH.
 - TENANT NAME CARD HOLDER ON EACH DOOR.
 - RECESSED MOUNT (NO COLLAR REQUIRED).
 - UNIT WEIGHT: 25 POUNDS.

PRODUCT SERIES: 1250-4 VERTICAL STYLE MAILBOX

MODEL	1250-4	REV	D
SCALE	NONE	LAST REV DATE	8/24/2012
DRAWING NUMBER	CS5051	DRAWN BY	RAK