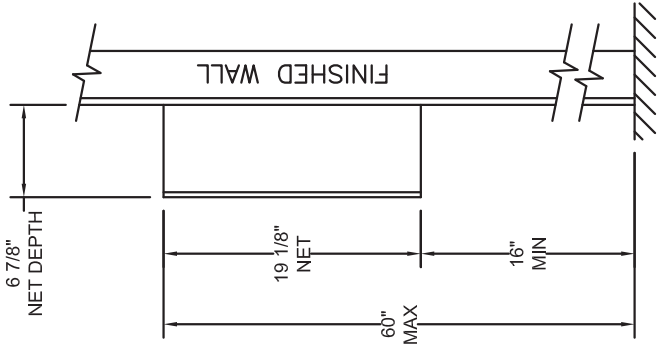
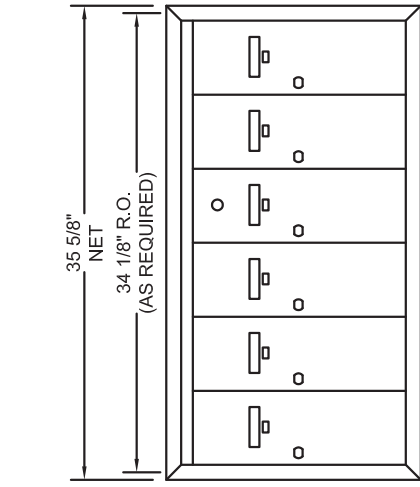
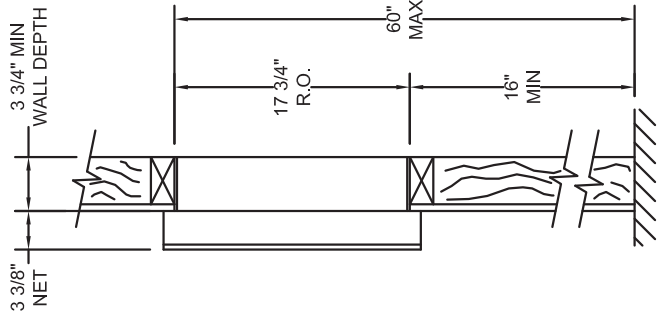


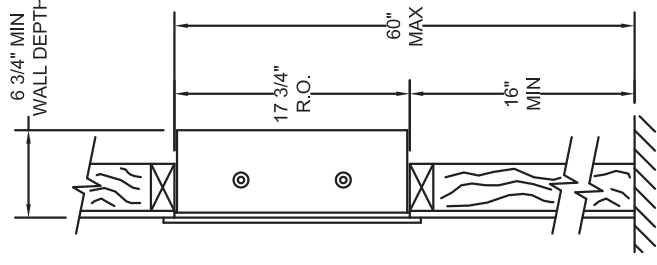
1250-6 VERTICAL STYLE MAILBOX



FINISHED FLOOR
(SURFACE MOUNT)



FINISHED FLOOR
(SEMI-RECESS MOUNT)



FINISHED FLOOR
(RECESS MOUNT)

NOTES:

STANDARD:

- (1) 1250-6 SERIES ALUMINUM CABINET WITH (5) STANDARD SIZE DOORS (16"H X 5 1/2"W), AND (1) STANDARD SIZE MASTER DOOR PREPARED FOR POSTAL MASTER LOCK.
- CLEAR ANODIZED FINISH.
- 5-PIN CYLINDER CAM TYPE LOCK WITH (2) KEYS EACH.
- TENANT NAME CARD HOLDER ON EACH DOOR.
- RECESS MOUNT (NO COLLAR REQUIRED).
- UNIT WEIGHT: 32 POUNDS.

PRODUCT SERIES: 1250-6 VERTICAL STYLE MAILBOX

MODEL	1250-6	REV	C
SCALE	NONE	LAST REV DATE	8/24/2012
DRAWING NUMBER	CS5049	DRAWN BY	RAK