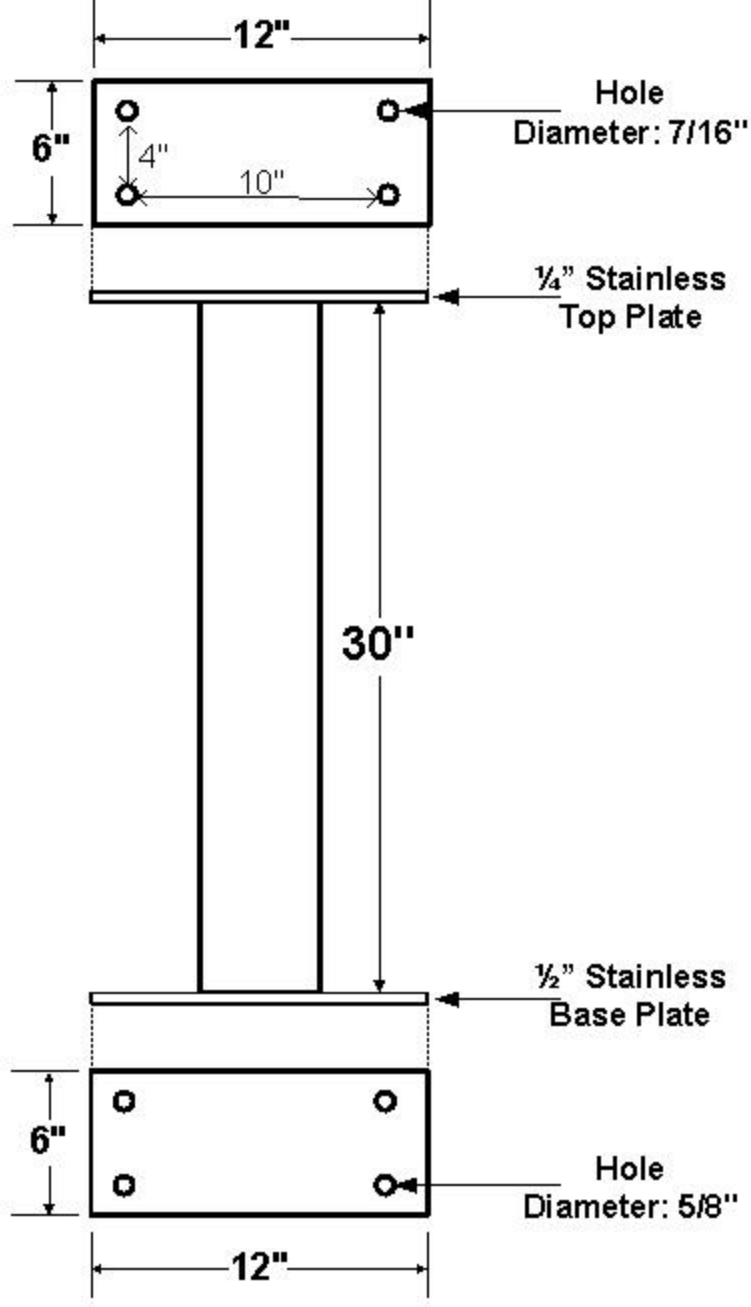


**Post diameter: 4"**  
**Bolt Pattern: 4" x 10"**  
**Top and Base Plates:**  
**6"W x 12"L**



**30" Surface Mount  
Post**