

5818MN



Recessed Door/Window Transmitter

Honeywell's 5818MN Recessed Door/Window Transmitter is a magnetic contact sensor that provides concealed protection for doors or windows. With its tapered design and at nearly half the size of standard transmitters, the 5818MN is another example of how Honeywell's wireless technology is continually evolving to meet customer needs.

FEATURES

- Includes self-contained transmitter and reed sensor
- Virtually disappears once installed
- Easy replaceable AAA Alkaline battery
- 0.5" gap (transmitter to magnet)
- Features a tapered cylinder for easy and flush fit

SPECIFICATIONS

Dimensions

- 0.75" diameter x 3.0" length
- (19mm x 76.2mm)

Power Source

- 1.5VDC, AAA Alkaline battery

Operating Temperature

- 32°F to 122°F (0°C to 50°C), non-condensing

Gap

- 0.5" (12.7mm) make distance

Transmit Frequency

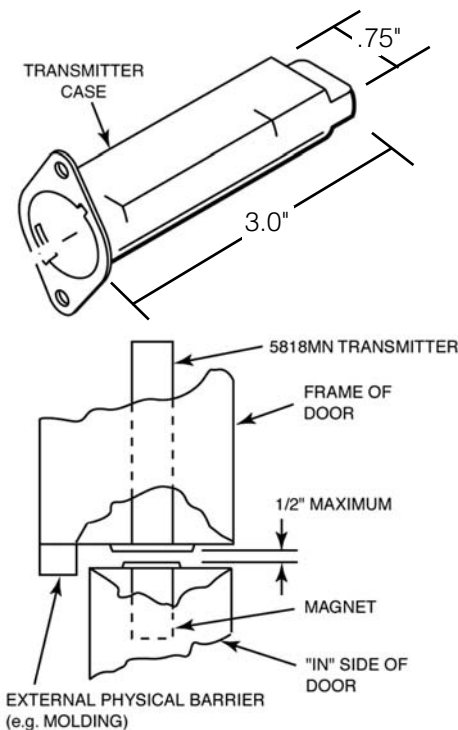
- 345 MHz

Compatibility

- Compatible with all 5800 series wireless devices

Agency Listings

- FCC
- IC
- cULus



ORDERING

5818MN Recessed Door Transmitter

Honeywell Security & Custom Electronics

PO Box 9035, Syosset, NY 11791
www.security.honeywell.com/sce