

5869

The 5869 Holdup Switch/Transmitter is a finger-operated RF transmitting device. It is typically mounted under a counter or money draw for inconspicuous operation. When the transmitter is activated, it emits an RF signal to the receiver. The security system control panel sends a burglary alarm to the central station when a RF signal is received from an enrolled Holdup Switch/Transmitter.

Once activated, the 5869 Holdup Switch/Transmitter can only be reset by the reset key. The 5869 also incorporates tamper switches that are activated when the cover is removed, or if the unit is forcibly removed from its installation location.



**Holdup
Switch/
Transmitter**

FEATURES:

- No wires to run
- Front and back tamper resistant
- Easily Mounted
- Quick enrollment
- Includes battery

Compatibility

- Fully compatible with all Vista Control Panels

ORDERING:

Part No.	Description
5869	Holdup Switch/Transmitter

5869

SPECIFICATIONS:

Physical:

- 1-15/16" W x 5-15/16" H x 1-3/16"D
(50mm x 150mm x 30mm)

Frequency:

- 345MHz

Battery:

- 3-volt Lithium. ADEMCO 466
or equivalent.

Agency Listings:

- UL Listed for Household Burg UL1023
and Hold Up Burg UL636. Using 5881ENHC
with appropriate ADEMCO commercial listed panels

INSTALLATION:

Mount the 5869 under a counter or money drawer for easy access by the cashier. Refer to the steps and figures that follow for typical mounting instructions.

Before mounting the 5869 permanently, perform Go/No Go tests to verify adequate transmitter signal strength at desired mounting location (refer to the Security System Control Panel Installation and Setup Guide).

1. Remove the two screws (Figure 1) securing the cover to the 5869 case.
NOTE: The holes located in the opposite corner, to the screws that secure the cover to the case, provide a means for securing the transmitter to the counter or drawer.
2. Using the case as a drill template, position the case in the desired location.
3. Drill a 1/16-inch pilot hole at the breakaway tamper release hole and the two case mounting holes (Figure 2).
4. Attach the case to the counter or money drawer using one No. 6 x 3/4 screw (supplied) at the breakaway tamper release.
5. Install the battery (see BATTERY INSTALLATION/REPLACEMENT).
6. Secure the cover to the case with the two screws removed in step 1.
7. Secure the assembled case to the counter or drawer using the two No. 6 x 2 mounting screws supplied (Figure 2).

Programming

The 5869 Holdup Switch/Transmitter should be programmed as a 24-hour silent zone type. Refer to the Security System Control Panel Installation and Setup Guide for programming instructions.

NOTES:

- During programming of the control panel, the 5869 Holdup Switch/Transmitter should be treated as "RF" (i.e., supervised RF) Type.
- The 5869 is one closed input loop zone (loop 1).

Battery Installation/Replacement

1. Remove and retain screws securing the 5869 cover.
2. Observing correct polarity, insert the battery into the battery holder.
NOTE: Use care not to bend the antenna while attempting to install battery.
3. Re-install screws to secure cover and/or assembly. Refer to Figure 1.

Holdup Switch/ Transmitter

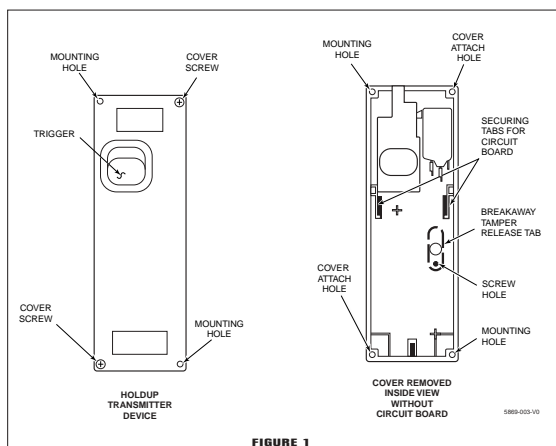


FIGURE 1

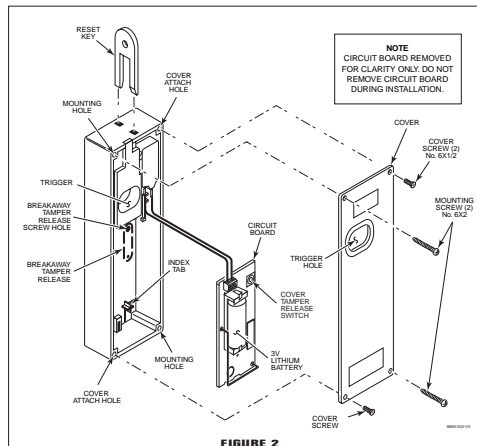


FIGURE 2