



4MP Outdoor Wi-Fi Spotlight Camera (ADC-V730) - Installation Guide



English

Pre-Installation Checklist

- ADC-V730 camera (included)
- AC power adapter (included)
- Wi-Fi (2.4 or 5 GHz) connection to broadband Internet (Cable, DSL, or Fiber Optic) Internet. For information about bandwidth requirements, see [What are the internet service and bandwidth requirements for Alarm.com video devices?](#)
- A computer, tablet, or smartphone with Bluetooth or Wi-Fi is required if the router does not have the Wi-Fi Protected Setup (WPS) feature

There are three options for connecting the ADC-V730 to the Wi-Fi network:

- Bluetooth (BLE) mode
- Access Point (AP) mode
- Wi-Fi Protected Setup (WPS) mode

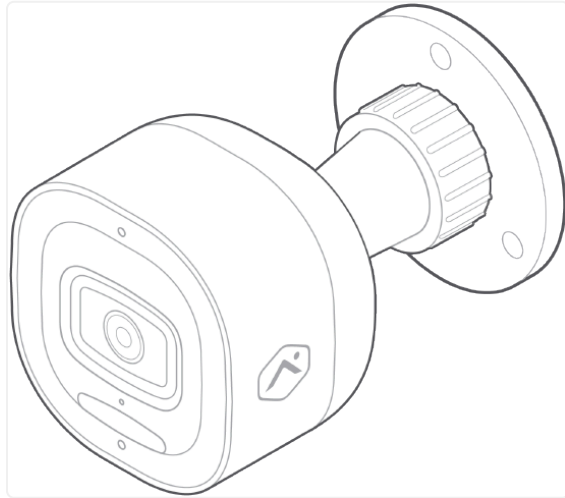
Note: Some Internet Service Providers disable the WPS feature on customer routers. BLE mode is the preferred method for installing this video device.

In the box

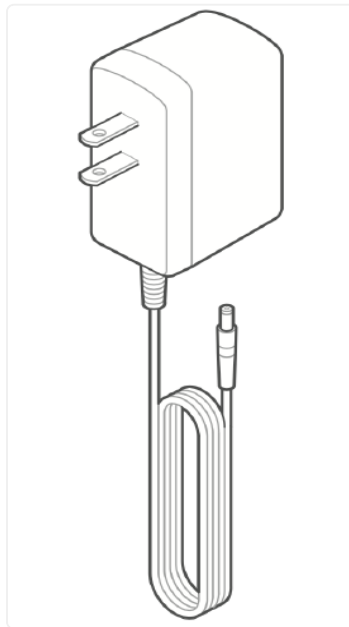
Expand all

What's included^

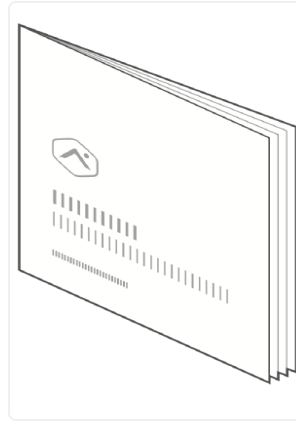
ADC-V730 camera



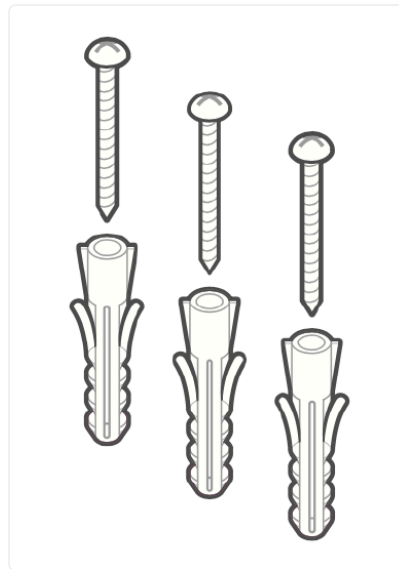
12V/1.5A Power Adapter



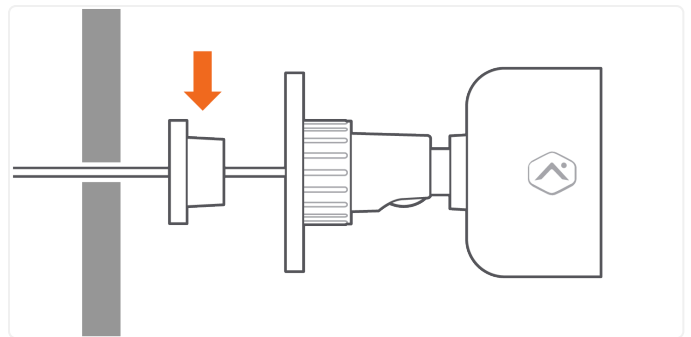
Installation sheet with QR code and drill template



Wall anchors & screws (3)



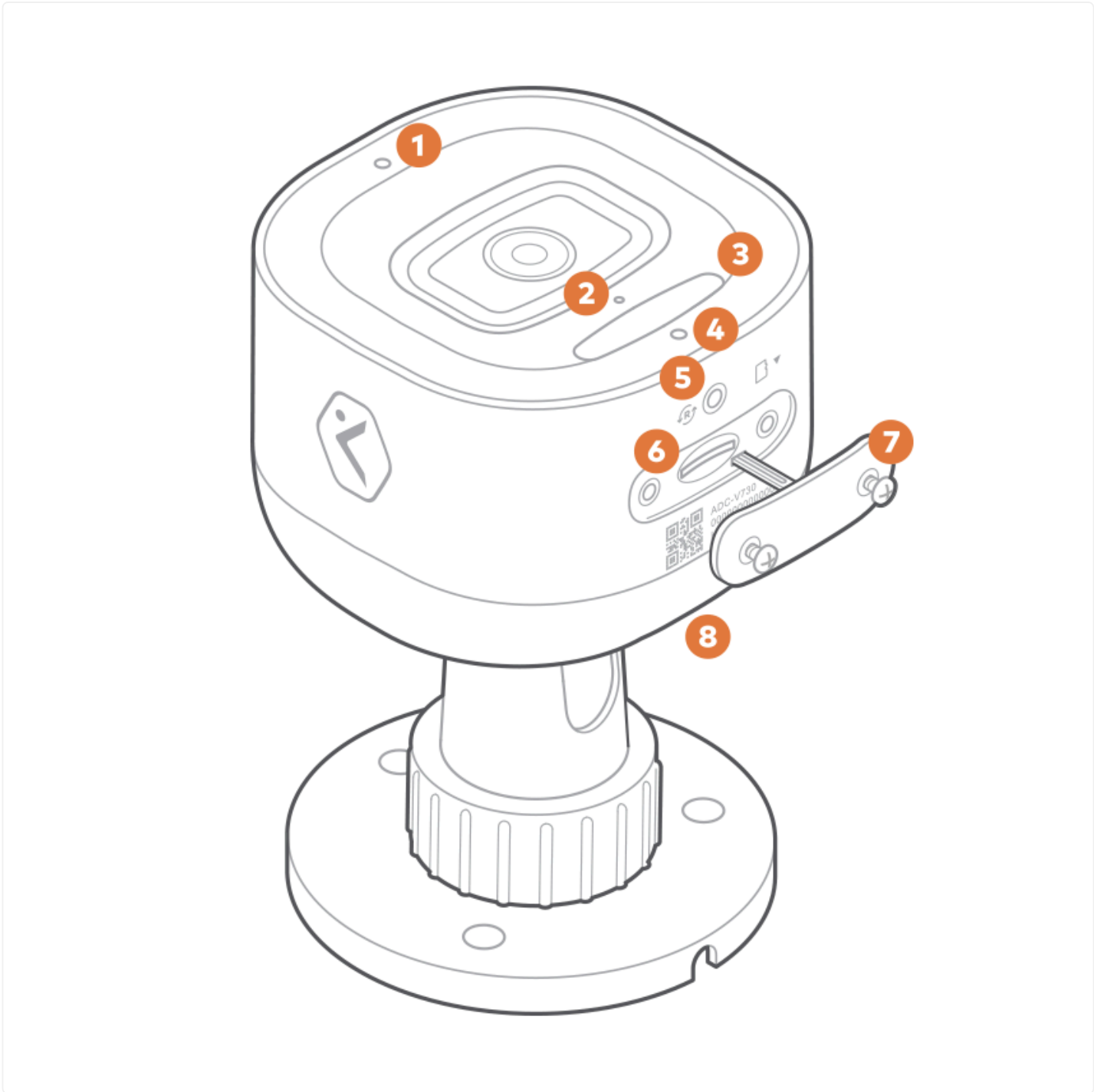
Rubber plug



Important: A rubber plug has been included with the ADC-V730 at the base of the mount. This rubber plug should only be used if the device is being mounted directly over a hole in the wall. The rubber plug will provide a seal to prevent water from entering the hole in the wall behind the camera. In all other installations, please remove the rubber plug. Removing the rubber plug will allow you to route the power cable through the mouse hole without bending or breaking the cable.

Overview

1. Ambient Light Sensor
2. Microphone
3. Spotlight
4. Status LED
5. WPS/Reset Button
6. SD Card Slot
7. SD Card Door
8. Speaker



Connect the ADC-V730 to the Wi-Fi network

The ADC-V730 can be connected to the Wi-Fi network using Bluetooth Enrollment (BLE) mode, Access Point (AP) mode, or Wi-Fi Protected Setup (WPS) mode.

BLE mode (recommended)^

Note: This method will also enroll the device to the customer's account as part of the process.

To ensure the device will have a sufficient Wi-Fi signal, complete the following steps with the camera near its final location but prior to mounting.

1. Connect the camera's AC power adapter and plug it into a non-switched outlet. If the standard power supply is too short to reach an outlet, see [How do I extend the power supply of a camera?](#).
2. The camera's LED will begin to blink white. If it is not white after 2 minutes, press and hold the WPS/Reset button and release it when it begins to blink white (about 3 seconds).
3. On a Bluetooth-enabled mobile device, log in to the Customer app and complete the following step to add the video device to the customer's account.

To connect devices via BLE mode using the Customer app:^

1. Log in to the Customer app.
2. Tap **More**.
3. Tap **Add Device**.
4. Tap **Video**.
5. Scroll to find the device or use the *Find Device* search bar to enter the model number, and then tap to select the device to add.
6. Enter a *Device Name*, then tap **Next**.
7. Power on the device and verify the LED light is flashing white, then tap **Next**.
 - If it is not flashing white, press and hold the button until the status LED starts blinking white. This may take several seconds.
 - Tap **Troubleshoot** to learn more about how to get the device to that state.
8. If Bluetooth is not enabled on your mobile device, approve the Bluetooth permission request when prompted, and then tap **Next**.
9. Bring your mobile device close to the device being enrolled, then tap **Scan**.
10. Allow time for your mobile device to scan for devices in the area.
11. Select the device to set up. Verify the selected device's MAC address matches the MAC address on the device being enrolled, then tap **Connect**.
12. Keep your phone near the device while it connects.
13. Once your phone is connected to the device, tap to select the Wi-Fi network. Either:
 - Select a known network in *My Wi-Fi Networks*, or
 - Select a new network in *Other Networks*, enter the password for the Wi-Fi network, and then tap **Connect**.
14. Allow a few minutes for the device to connect to the network.
15. Once the device connects to the Wi-Fi network, the device continues to complete the install on the customer's account. Once the installation is complete, verify the video device works properly.

AP mode

^

To ensure the device will have a sufficient Wi-Fi signal, complete the following steps with the camera near its final location but prior to mounting.

1. Connect the camera's AC power adapter and plug it into a non-switched outlet. If the standard power supply is too short to reach an outlet, see [How do I extend the power supply of a camera?](#)
2. The camera's LED will begin to blink white. If the LED is not white after two minutes, press and hold the WPS/Reset button and release when the LED begins to blink white (about 3 seconds).
3. On an Internet-enabled device, connect to the Wi-Fi network *ADC-V730 (XX:XX:XX)* where *XX:XX:XX* is the last six characters of the ADC-V730's MAC address, which is located on the camera or on the packaging.
4. On the same device, open a web browser and enter <http://v730install.com> or **192.168.1.1** in the URL field. Follow the on-screen instructions to add the ADC-V730 to the Wi-Fi network. The LED will briefly turn red before blinking green. The LED will be solid green when the connection is complete.

Once the device is connected to the Wi-Fi network, proceed to [Enroll the ADC-V730 to the account](#).

WPS mode

^

To ensure the device will have a sufficient Wi-Fi signal, complete these steps with the camera near its final location but prior to mounting.

1. Connect the camera's AC power adapter and plug it into a non-switched outlet.
2. After the startup process is complete (the camera's LED will be blinking white), press and hold the WPS/Reset button and release when the LED begins to blink blue (about 6 seconds).
3. Activate WPS mode on the router. The camera will begin to connect to the Wi-Fi network. The LED will be solid green when the connection is complete.

Once the device is connected to the Wi-Fi network, proceed to [Enroll the ADC-V730 to the account](#).

Enroll the ADC-V730 to the account

The ADC-V730 can be enrolled to a customer account using the MobileTech app, Customer website, or Customer app.

To enroll the ADC-V730 using the MobileTech app: ^

1. Log in to the MobileTech app.
2. Find the customer account.
3. Tap + **Add Device**.
4. Tap **Video**.
5. In *Enter MAC Address*, enter the MAC address, which is located on the device or packaging.
6. Tap **Add**.

7. Enter a name for the device, then tap **Continue**.
8. Follow the on-screen instructions. An installation progress bar displays on the screen.

Once the installation is complete, unplug the camera and install it in its final location.

To enroll the ADC-V730 using the Customer website: ^

1. Navigate to the *Video Device Setup* page by entering the following URL using a web browser: **www.alarm.com/addcamera**. The customer's username and password for the account are required to log in.
 - If the installation tutorial was used, it automatically navigates to this page after completing the tutorial.
2. Enter the MAC address, which is located on the device or packaging, and then click **Find**.
3. Enter a name for the device, then click **Install**.
4. Follow the on-screen instructions to finish adding the camera. An installation progress bar displays on the screen.

Once the enrollment process is complete, unplug the camera and install it in its final location.

To enroll the ADC-V730 using the Customer app: ^

1. Log in to the Customer app. You will need the username and password of the account to log in.
2. Tap ☰.
3. Tap **Add Device**.
4. Tap **Video Camera**.
 - If the device LED is not solid green, tap **ADC-V730** for the installation tutorial. If the device is already connected to Wi-Fi and has a solid green LED, continue to the next step.
5. Tap **Enter MAC Address**, then enter the camera's MAC address, which is located on the device or packaging.
6. Tap **Install** for the camera on the *Device Found* page.
7. Enter a device name, then tap **Next**.
8. Follow the on-screen instructions to finish adding the camera. The installation progress displays on the screen.

Once the installation is complete, unplug the camera and install it in its final location.

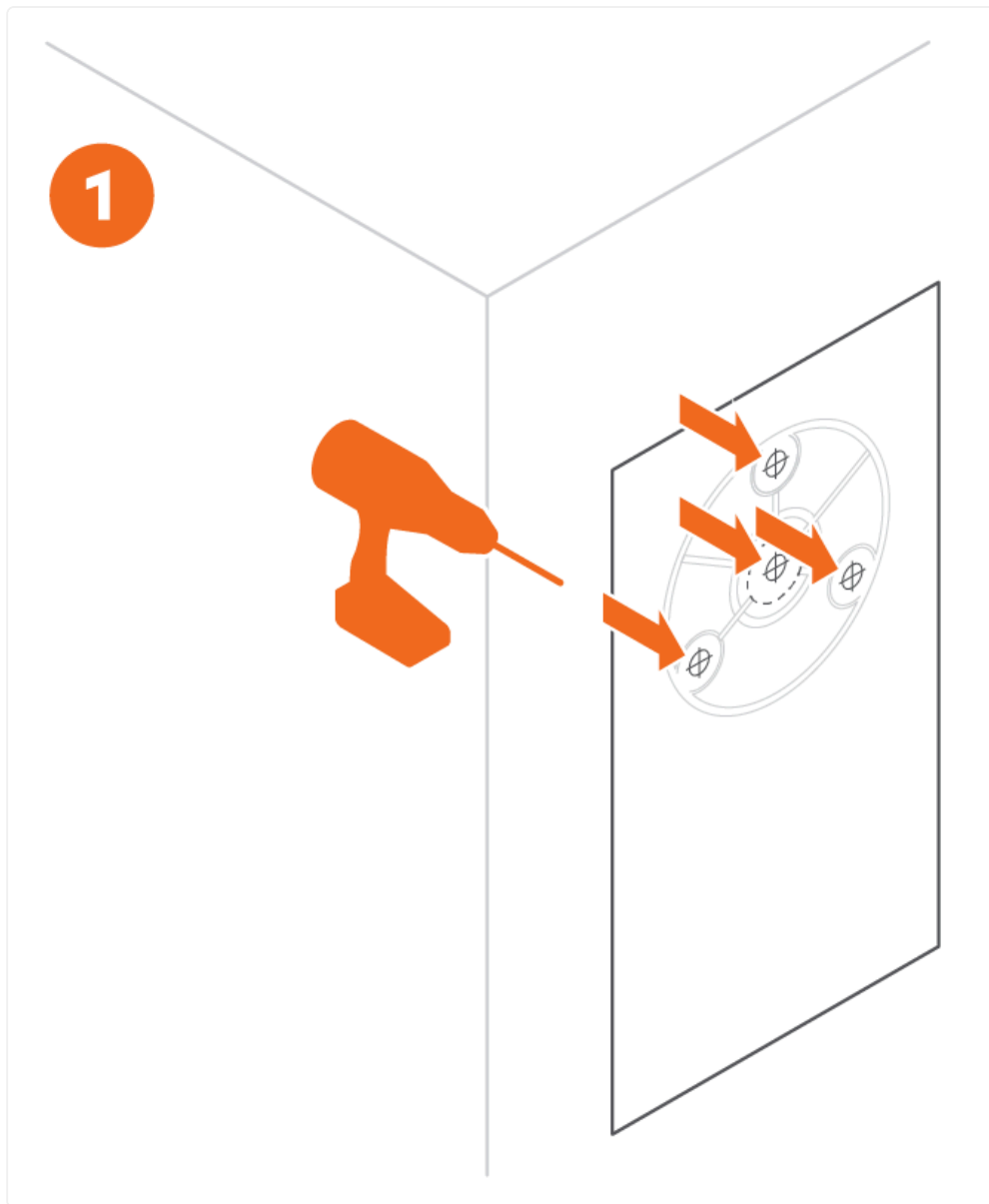
Physical installation

For information about general installation and maintenance guidelines, see [Video Installation Best Practices](#).

To install the ADC-V730 in its final location:

Note: Verify that there are no obstructions near the camera's installation location. Obstructions close to the camera's lens can lead to poor night vision performance.

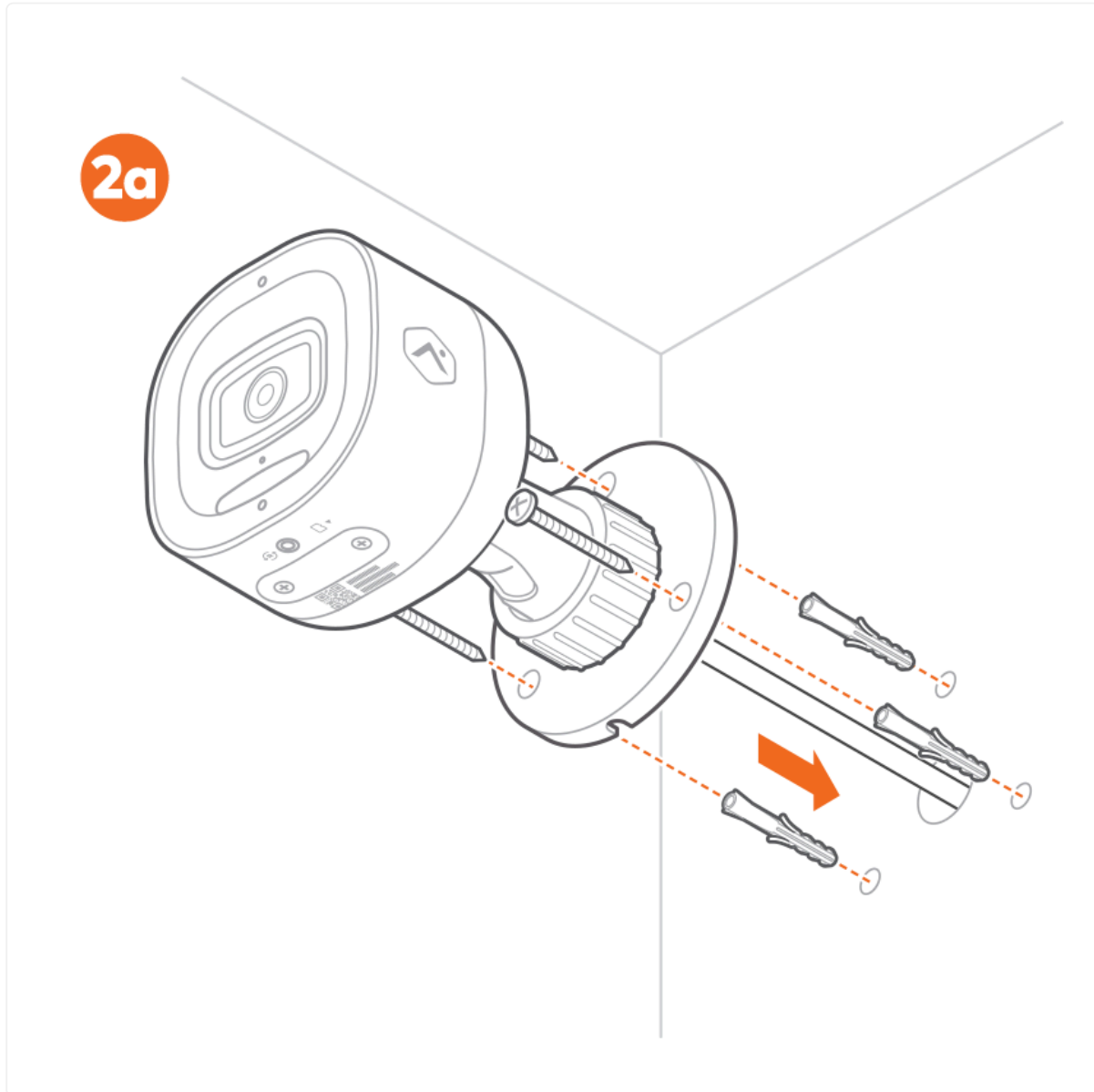
1. Use the included drill template to mark the desired location of the holes for the power cable and mounting screws. Drill a 1/2" hole in the center of the template for the power cable. If mounting to drywall, drill three 9/32" holes and insert the included M5 wall anchors. If mounting to a solid surface (e.g., wood), drill three 1/8" pilot holes.



2. Mount the device to a flat surface (e.g., a wall or ceiling) 8 feet or more above the ground.

To mount the ADC-V730 when routing the power cable through the wall:

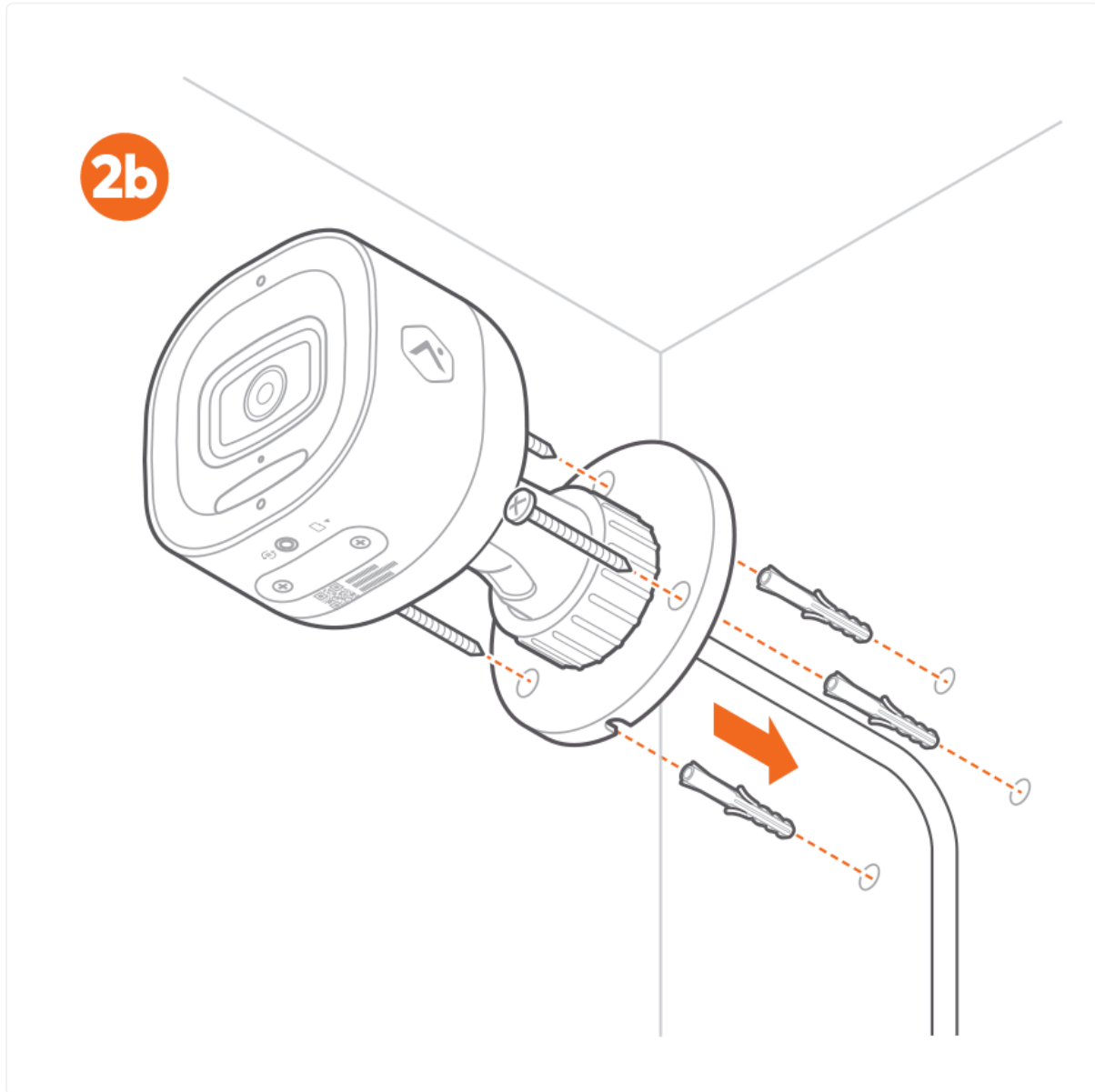
^



1. Install the rubber plug over the hole for the power cord.
2. Connect the 12 VDC connector to an unplugged 12 VDC adapter. Insert the power cable into the center hole.
3. Line up the camera with the three holes created in step 3. Use the included ST4.8 x 32mm self tapping screws to fasten the camera to the mounting surface (#10 drywall screws or 3/16" Tapcon screws are also acceptable).

To mount the ADC-V730 when routing the power cable along the wall:

^



1. Remove the rubber plug from the power cord.
2. Connect the 12 VDC connector to an unplugged 12 VDC adapter.
3. Line up the camera with the three holes created in step 3. Use the included ST4.8 x 32mm self tapping screws to fasten the camera to the mounting surface (#10 drywall screws or 3/16" Tapcon screws are also acceptable). Route the cable through the cut-out in the mounting plate.

LED reference guide

LED pattern

Description

Off

Power off



Solid green

Connected to Alarm.com



Blinking green

Local network connection



Blinking red

Power on, camera booting



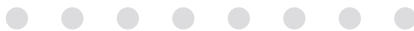
Solid red

No local or internet connection



Blinking white

Bluetooth and Wi-Fi Access Point modes (press and hold the button for 3-6 seconds)



LED pattern

Description

Blinking blue



WPS mode (press and hold button for 6-9 seconds)

Blinking yellow



Power cycling (press and hold button for 9-12 seconds)

Blinking red and green



Reverting to factory default settings (press and hold the button for 12-15 seconds)

Blinking green and blue



Firmware updating

Troubleshooting

1. If you have issues connecting the camera to the account, power cycle the camera and try again.
2. If issues persist, reset the camera to factory defaults. Press and hold the WPS/Reset button until the LED is flashing green and red (about 12 seconds), then release the button. The camera will reboot to factory default.

If the camera was previously installed on a different Alarm.com account, it will need to be deleted before it can be installed again.

Caution: Prolonged exposure to sunlight in extreme conditions may impact the camera's performance. The optimal installation location is in a shaded area such as under an eave.

Regulatory Statements

Operating Temperature: -40°F – 122°F (-40°C – 50°C)

Ingress Protection: IP66

FCC Statements

FCC Short Part 15 Statement

This device complies with part 15 of the FCC Rules. Operation is subject to the following two conditions: (1) This device may not cause harmful interference, and (2) this device must accept any interference received, including interference that may cause undesired operation.

FCC Long Part 15 Statement

This equipment has been tested and found to comply with the limits for a Class B digital device, pursuant to part 15 of the FCC Rules. These limits are designed to provide reasonable protection against harmful interference in a residential installation. This equipment generates, uses and can radiate radio frequency energy and, if not installed and used in accordance with the instructions, may cause harmful interference to radio communications. However, there is no guarantee that interference will not occur in a particular installation.

If this equipment does cause harmful interference to radio or television reception, which can be determined by turning the equipment off and on, the user is encouraged to try to correct the interference by one or more of the following measures:

- Reorient or relocate the receiving antenna.
- Increase the separation between the equipment and receiver.
- Connect the equipment into an outlet on a circuit different from that to which the receiver is connected.
- Consult the dealer or an experienced radio/TV technician for help.
- Changes or modifications not expressly approved by the party responsible for compliance could void the user's authority to operate the equipment.

RF Exposure

This equipment complies with FCC and ISED radiation exposure limits set forth for an uncontrolled environment. This equipment should be installed and operated with a minimum distance of 20cm between the equipment and your body. This device and its antenna(s) must not be co-located or operating in conjunction with any other antenna or transmitter. Please contact intsupport@alarm.com for more information on Canadian RF exposure compliance.

FCC ID

FCC ID: YL6-143V730

ISED Statements

Condition

This device contains license-exempt transmitter(s)/receiver(s) that comply with Innovation, Science and Economic Development Canada's licence-exempt RSS(s). Operation is subject to the following two conditions:

1. This device may not cause interference.
2. This device must accept any interference, including interference that may cause undesired operation of the device.

Cet appareil contient des émetteurs/récepteurs sans licence qui sont conformes aux RSS sans licence d'Innovation, Sciences et Développement économique Canada. L'exploitation est soumise aux deux conditions suivantes :

1. Cet appareil ne doit pas provoquer d'interférences.
2. Cet appareil doit accepter toute interférence, y compris les interférences susceptibles de provoquer un fonctionnement indésirable de l'appareil.

RF Exposure

Cet appareil est conforme aux limites d'exposition aux radiofréquences établies par la FCC et l'ISED pour un environnement non contrôlé. Cet appareil doit être installé et utilisé à une distance minimale de 20 centimètres entre l'appareil et votre corps. Cet appareil et son ou ses antennes ne doivent pas être situés ou fonctionner en conjonction avec une autre antenne ou un autre émetteur. Veuillez communiquer avec intsupport@alarm.com pour obtenir plus d'information sur la conformité aux exigences canadiennes en matière d'exposition aux radiofréquences.

IC ID

ID: 9111A-143V730

EU Declaration of Conformity Statement

Hereby, Alarm.com Incorporated declares that the equipment type ADC-V730 is in compliance with Directive 2014/30/EU. The full text of the EU declaration of conformity is available at the following internet address:

<https://www.alarm.com/about/international/eu-red>

Español

Lista de verificación previa a la instalación

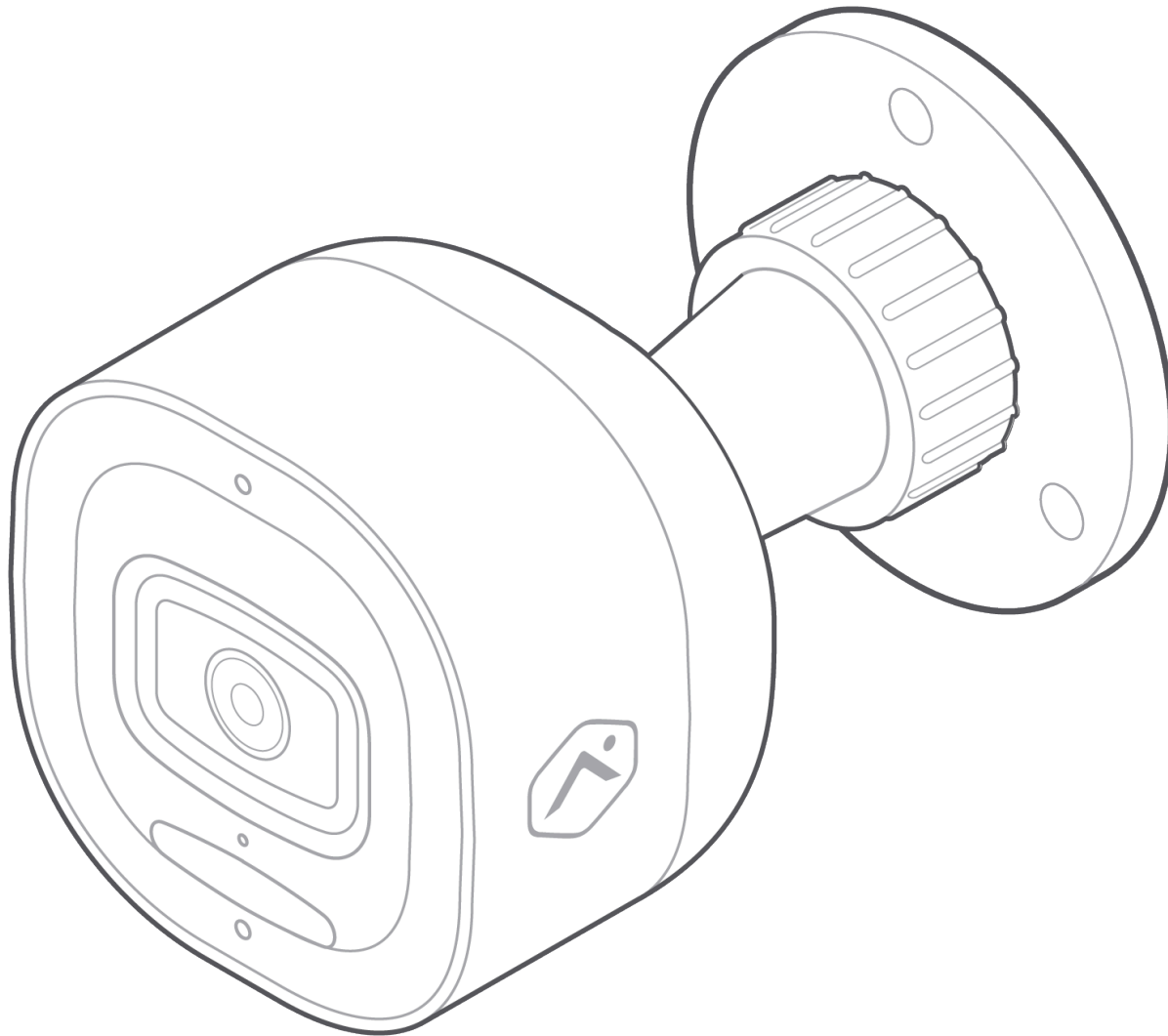
- Cámara ADC-V730 (incluida)
- Adaptador de corriente alterna (incluido)
- Conexión Wi-Fi (2.4 o 5 GHz) a Internet de banda ancha (cable, DSL o fibra óptica). Para obtener detalles sobre los requisitos de ancho de banda, consulte [¿Cuáles son los requisitos de servicio de Internet y ancho de banda para dispositivos de video de Alarm.com?](#)
- Se requiere una computadora, tableta o teléfono inteligente con Bluetooth o Wi-Fi si el enrutador no tiene la función

Configuración protegida de Wi-Fi (WPS)

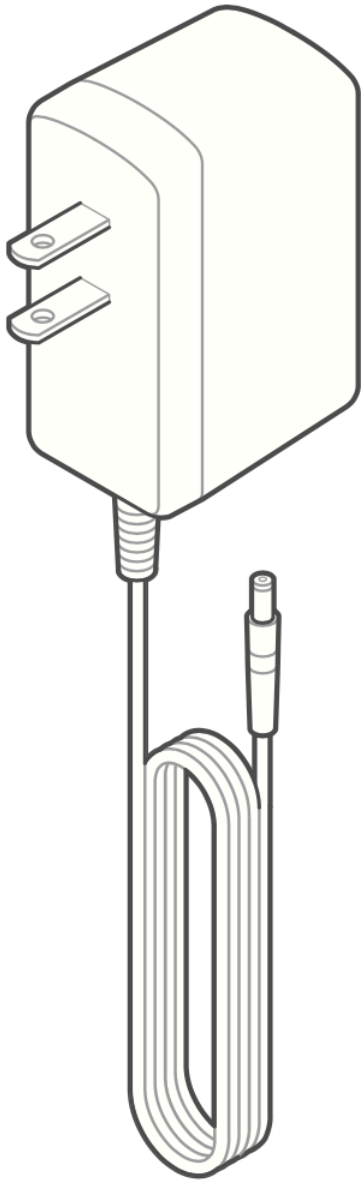
Hay tres opciones para conectar la cámara ADC-V730 a la red Wi-Fi: modo Bluetooth, modo de punto de acceso (AP) y modo de configuración protegida de Wi-Fi (WPS). Utilice el modo WPS si tiene acceso fácil al enrutador del cliente y el enrutador tiene la función WPS habilitada.

Nota: Tenga en cuenta que algunos proveedores de servicios de Internet deshabilitan la función WPS en los enrutadores del cliente. El modo Bluetooth es el método más confiable para instalar este dispositivo

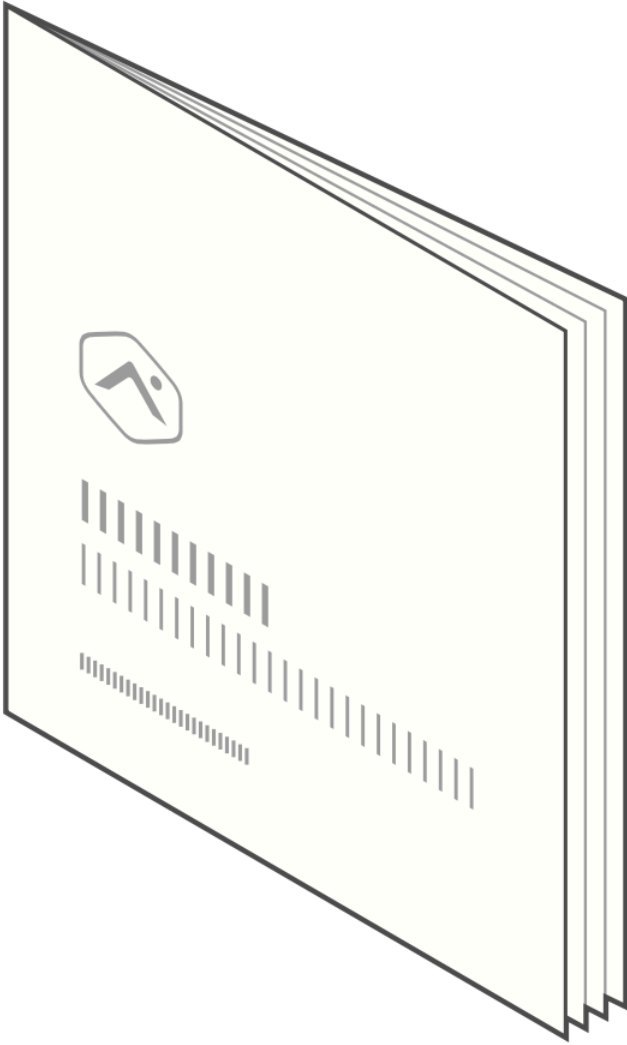
Incluido en la caja



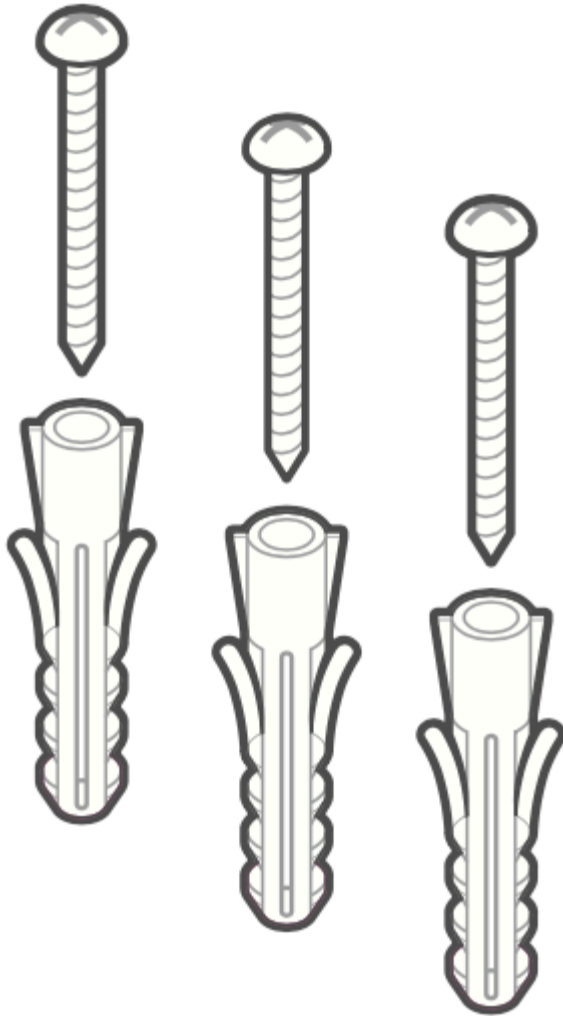
Cámara ADC-V730



Adaptador de corriente de 12 V/1.5 A



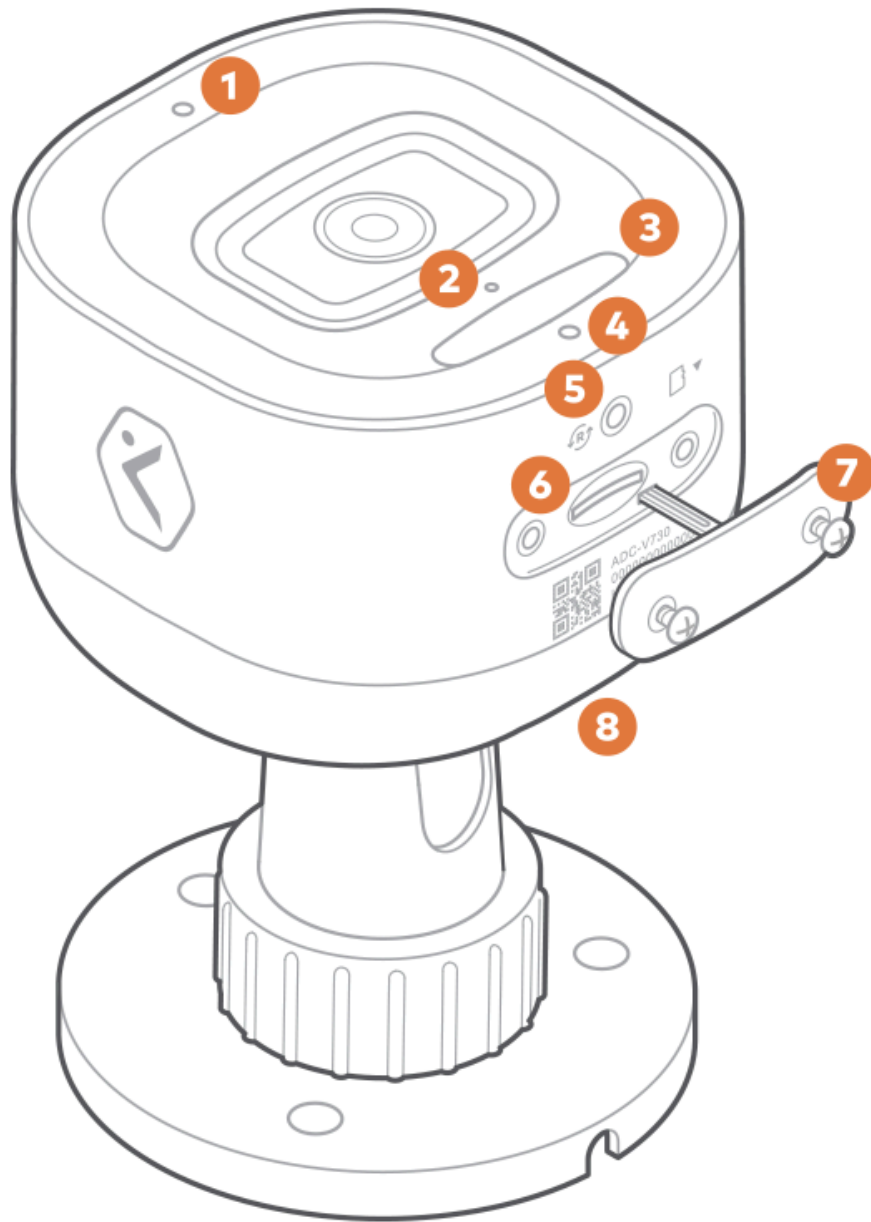
Guía de instalación



Anclajes de pared y tornillos (x3)

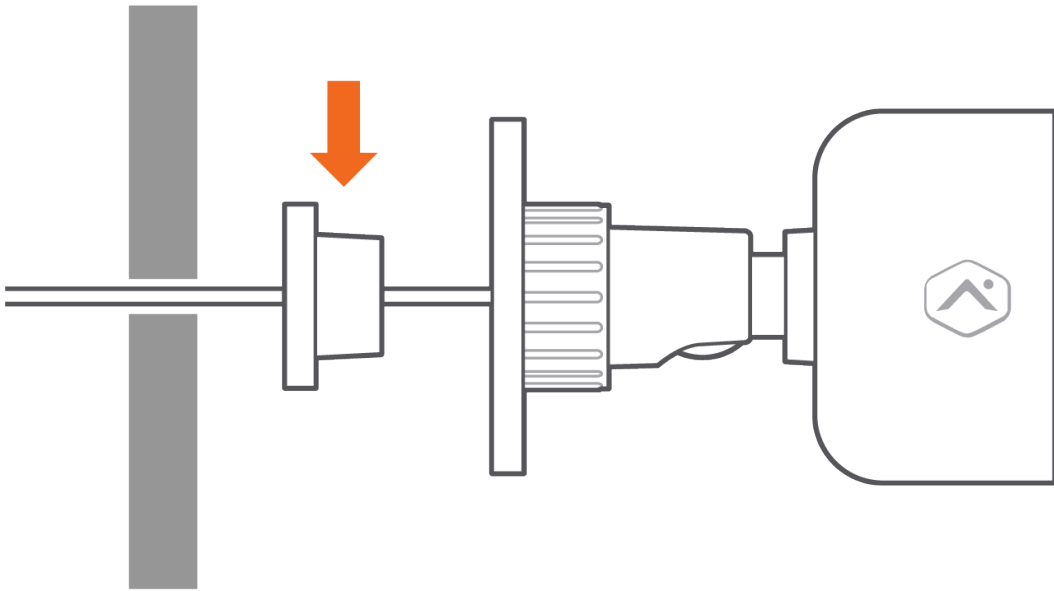
Descripción general

1. Sensor de luz ambiental
2. Micrófono
3. Foco
4. LED de estado
5. Botón WPS/Reset
6. Ranura para tarjeta SD
7. Tapa de ranura para tarjeta SD
8. Altavoz

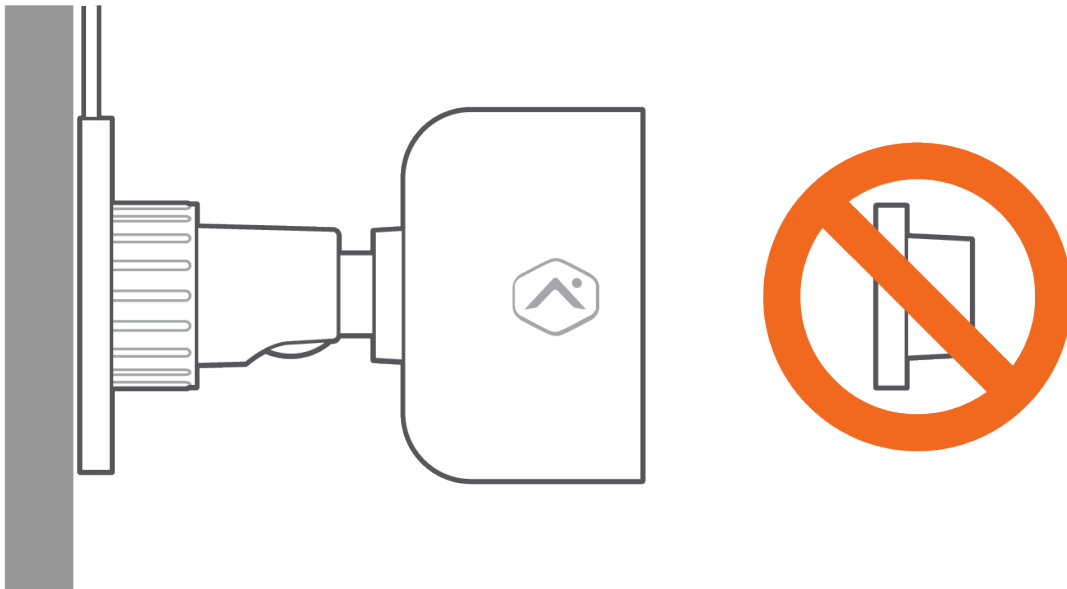


Tapón de goma

Se ha incluido un tapón de goma con su ADC-V730 en la base del soporte. Este tapón de goma solo debe utilizarse si la instalación se realiza directamente sobre un agujero en la pared. El tapón de goma servirá como sello para prevenir que el agua entre al agujero en la pared detrás de la cámara.



En todas las demás instalaciones, retire el tapón de goma. Retirar el tapón de goma le permitirá dirigir el cable de alimentación a través del agujero de salida del cable sin doblar o romper el cable.



Instalación

Para obtener información sobre las pautas generales de instalación y mantenimiento de dispositivos de video, consulte [Mejores prácticas de instalación de dispositivos de video](#).

Para obtener información sobre cómo configurar y usar voz bidireccional, consulte [Manual de uso e instalación de voz bidireccional](#).

Expandir todo

Modo Bluetooth (recomendado)^

Para garantizar una suficiente señal de Wi-Fi, complete estos pasos con la cámara cerca de su ubicación final, pero antes del montaje.

1. Conecte el adaptador de alimentación de CA de la cámara a una toma de corriente no conmutada. Si el cable estándar de la fuente de alimentación es demasiado corto para llegar a una toma de corriente, consulte [¿Cómo extender la fuente de alimentación de una cámara?](#)
2. El indicador LED de la cámara comenzará a mostrar una luz blanca intermitente. Si no se ilumina en blanco después de dos minutos, mantenga presionado el botón WPS/Reset y suéltelo cuando empiece a parpadear en blanco (aproximadamente tres segundos).
3. En un dispositivo con Bluetooth activado, abra la aplicación de Alarm.com o la aplicación MobileTech para socios y seleccione la cuenta del cliente. Vaya a *Agregar dispositivo de video*. Si esta es la primera vez que usa Bluetooth en el dispositivo, se le pedirá que otorgue los permisos necesarios.
4. Siga las instrucciones en pantalla para conectar, configurar y terminar de agregar la cámara.

Modo de punto de acceso (alternativa)^

Para garantizar una suficiente señal de Wi-Fi, complete estos pasos con la cámara cerca de su ubicación final, pero antes del montaje.

1. Conecte el adaptador de alimentación de CA de la cámara a una toma de corriente no conmutada. Si el cable estándar de la fuente de alimentación es demasiado corto para llegar a una toma de corriente, consulte [¿Cómo extender la fuente de alimentación de una cámara?](#)
2. El indicador LED de la cámara comenzará a mostrar una luz blanca intermitente. Si el LED no se ilumina en blanco después de dos minutos, mantenga presionado el botón WPS/Reset y suéltelo cuando el LED empiece a parpadear en blanco (aproximadamente 3 segundos).
3. En un dispositivo habilitado para Internet, conéctese a la red Wi-Fi ADC-V730 (XX:XX:XX) donde XX:XX:XX son los últimos seis dígitos de la dirección MAC de la ADC-V730, la cual se encuentra en la cámara o en el empaque.
4. En el mismo dispositivo, abra un navegador web e ingrese <http://v730install.com> o 192.168.1.1 en el campo de la dirección URL. Siga las instrucciones en pantalla para agregar el modelo ADC-V730 a la red Wi-Fi. El LED iluminará en rojo brevemente antes de iluminar en verde de forma intermitente. El LED se iluminará en verde continuo cuando se complete la conexión.
5. Agregue el dispositivo a la cuenta seleccionando la cuenta en la aplicación MobileTech para socios o usando un navegador web e ingresando la siguiente dirección web: www.alarm.com/addcamera (necesitará el nombre de usuario y la contraseña del cliente).
6. Seleccione la cámara de la lista de dispositivos de video o ingrese su dirección MAC para comenzar a agregar la cámara. La dirección MAC de la cámara se encuentra en la cámara o en el empaque.
7. Siga las instrucciones en pantalla para terminar de agregar la cámara.

Ahora puede apagar la cámara e instalarla en su ubicación final usando el hardware incluido. Puede ajustar la configuración de la cámara desde el sitio web del cliente de Alarm.com.

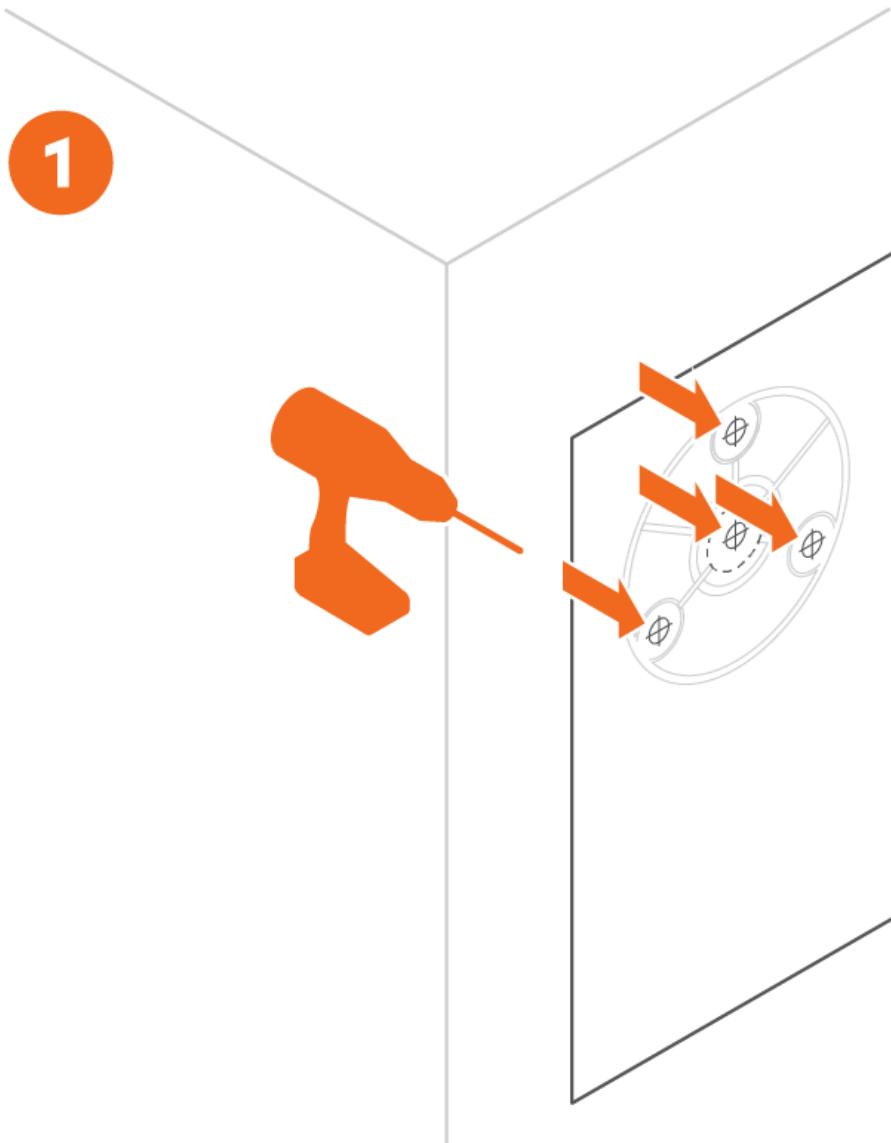
Modo WPS (alternativa)^

Para garantizar suficiente señal de Wi-Fi, complete estos pasos con la cámara cerca de su ubicación final, pero antes del montaje.

1. Conecte el adaptador de alimentación de CA de la cámara a una toma de corriente no conmutada.
2. Luego de que el proceso de inicio se haya completado (el LED de la cámara mostrará una luz blanca intermitente), mantenga presionado el botón WPS/Reset y suéltelo cuando el LED comience a iluminar en azul de forma intermitente (aproximadamente seis segundos).
3. Active el modo WPS en el enrutador. La cámara comenzará a conectarse a la red Wi-Fi. El LED se iluminará en verde continuo cuando se complete la conexión.
4. Agregue el dispositivo a la cuenta seleccionando la cuenta en la aplicación MobileTech para socios o usando un navegador web e ingresando la siguiente dirección web: www.alarm.com/addcamera (necesitará el nombre de usuario y la contraseña del cliente).
5. Seleccione la cámara de la lista de dispositivos de video o ingrese su dirección MAC para comenzar a agregar la cámara. La dirección MAC de la cámara se encuentra en la cámara o en el empaque.
6. Siga las instrucciones en pantalla para terminar de agregar la cámara.

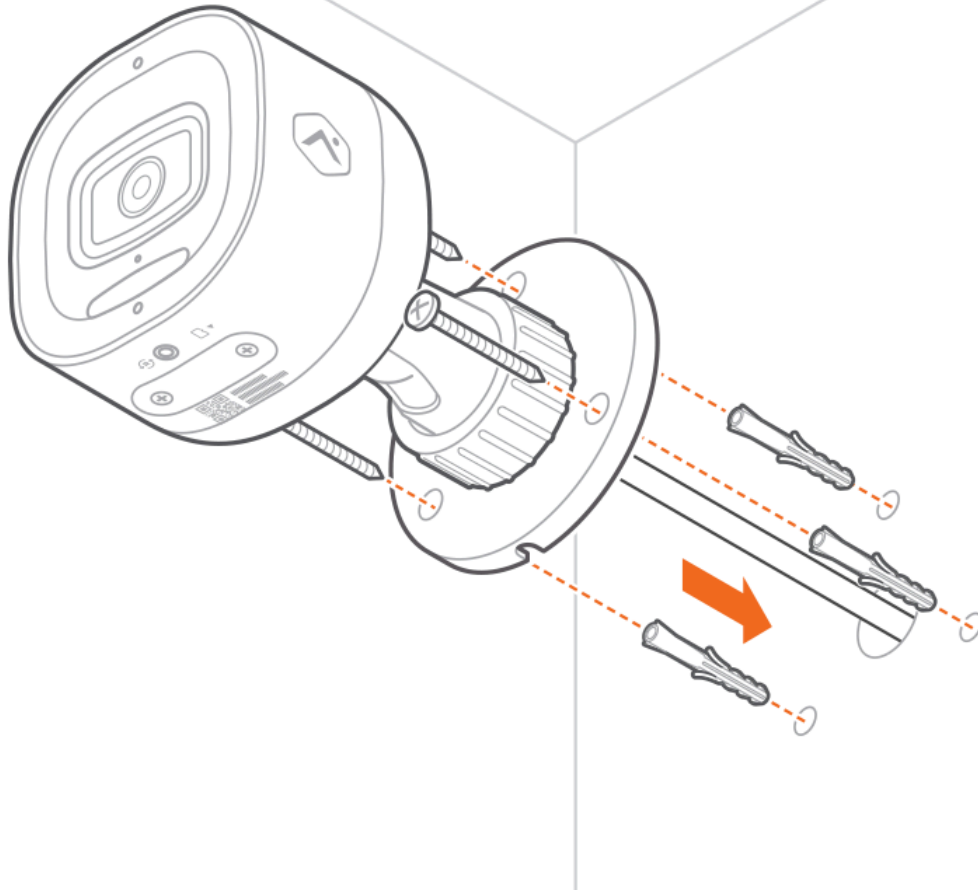
Ahora puede apagar la cámara e instalarla en su ubicación final usando el hardware incluido. Puede ajustar la configuración de la cámara desde el sitio web del cliente de Alarm.com.

Descripción general del montaje de la cámara



Montar la cámara ADC-V730 pasando el cable de alimentación a través de la pared: ^

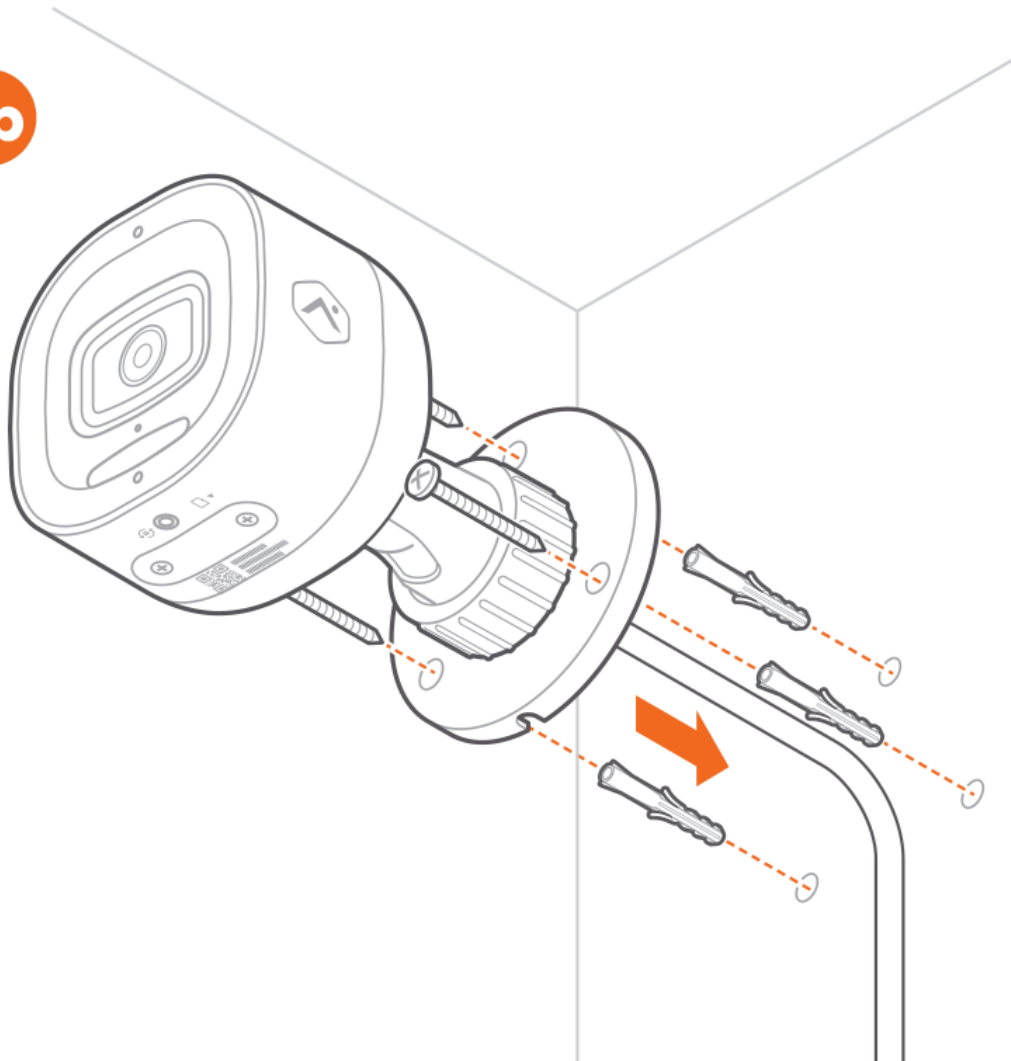
2a



1. La cámara debe montarse a 2.4 m (8 pies) o más sobre el suelo en una superficie plana (como una pared o techo). Instale el tapón de goma.
2. Verifique que no haya obstrucciones cerca de la cámara. Las obstrucciones pueden provocar un rendimiento deficiente de la visión nocturna.
3. Utilice la plantilla con los orificios a taladrar incluida para marcar la ubicación deseada de los orificios para el cable de alimentación y los tornillos de montaje. Taladre un orificio de 1/2" en el centro de la plantilla para el cable de alimentación. Si va a montar en un panel de yeso, taladre tres orificios de 9/32" e inserte los anclajes de pared M5. Si va a montar sobre una superficie sólida (por ejemplo, madera), taladre tres orificios guía de 1/8".
4. Conecte el conector de 12 VCD a un adaptador de 12 VCD que no esté conectado a la corriente. Inserte el cable de alimentación en el orificio central.
5. Alinee la cámara con los tres orificios creados en el paso 3. Use los tornillos autorroscantes ST4.8 x 32 mm incluidos para fijar la cámara a la superficie de montaje (también se pueden usar tornillos para paneles de yeso N.º 10 o tornillos Tapcon de 3/16").

Montar la cámara ADC-V730 pasando el cable de alimentación a lo largo de la pared: ^

2b



1. La cámara debe montarse a 2.4 m (8 pies) o más sobre el suelo en una superficie plana (como una pared o techo). Retire el tapón de goma.
2. Verifique que no haya obstrucciones cerca de la cámara. Las obstrucciones pueden provocar un rendimiento deficiente de la visión nocturna.
3. Utilice la plantilla con los orificios a taladrar incluida para marcar la ubicación deseada de los orificios para los tornillos de montaje. Si va a montar en un panel de yeso, taladre tres orificios de 9/32" e inserte los anclajes de pared M5. Si va a montar sobre una superficie sólida (por ejemplo, madera), taladre tres orificios guía de 1/8".

4. Conecte el conector de 12 VCD a un adaptador de 12 VCD que no esté conectado a la corriente.
5. Alinee la cámara con los tres orificios creados en el paso 3. Use los tornillos autorroscantes ST4.8 x 32 mm incluidos para fijar la cámara a la superficie de montaje (también se pueden usar tornillos para paneles de yeso N.º 10 o tornillos Tapcon de 3/16"). Pase el cable por el orificio en la placa de montaje.

Guía de referencia de indicadores LED

Patrón de LED

Descripción

Apagado

Dispositivo apagado



Verde continuo

Dispositivo conectado a Alarm.com



Verde intermitente

Conexión de red local



Rojo intermitente

Dispositivo encendido, cámara reiniciándose



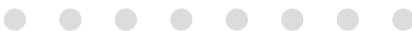
Rojo continuo

No hay conexión de red local o a Internet



Blanco intermitente

Modos Bluetooth y punto de acceso Wi-Fi (mantenga presionado el botón durante 3 a 6 segundos)



Patrón de LED

Descripción

Azul intermitente



Modo WPS (mantenga presionado el botón durante 6 a 9 segundos)

Amarillo intermitente



Apagar y encender (mantenga presionado el botón durante 9 a 12 segundos)

Rojo y verde intermitente



Restaurar la configuración de fábrica (mantenga presionado el botón durante 12 a 15 segundos)

Verde y azul intermitentes



Se está actualizando el firmware

Resolución de problemas

1. Si tiene problemas para conectar la cámara a la cuenta, apague y encienda la cámara e intente de nuevo.
2. Si los problemas persisten, restablezca la cámara a los valores predeterminados de fábrica. Mantenga presionado el botón WPS/Reset hasta que el LED se ilumine en verde y rojo de forma intermitente (aproximadamente 12 segundos), luego suelte el botón. La cámara se reiniciará con los valores predeterminados de fábrica.

Si la cámara se instaló previamente en otra cuenta de Alarm.com, será necesario eliminarla antes de poder volver a instalarla.

Precaución: La exposición prolongada a la luz solar en condiciones extremas puede afectar al rendimiento de la cámara. La localización de instalación óptima es en un área a la sombra, tal como debajo de un alero.

Declaraciones regulatorias

Temperatura de operación: Desde -40 °C hasta 50 °C (desde -40 °F hasta 122 °F)

Protección contra ingreso: IP66

IFT



1. IFT #: JOALAD25-33109
2. La operación de este equipo está sujeta a las siguientes dos condiciones: (1) es posible que este equipo o dispositivo no cause interferencia perjudicial y (2) este equipo o dispositivo debe aceptar cualquier interferencia, incluyendo la que pueda causar su operación no deseada.

Declaraciones de la FCC

Versión abreviada de la declaración del apartado 15 de la FCC

Este dispositivo cumple con la parte 15 de las Reglas de la FCC. El funcionamiento está sujeto a las dos condiciones siguientes: (1) Este dispositivo no puede causar interferencias dañinas, y (2) este dispositivo debe aceptar cualquier interferencia recibida, incluidas las interferencias que puedan causar un funcionamiento no deseado.

Versión larga de la declaración del apartado 15 de la FCC

Este equipo ha sido probado y se ha comprobado que cumple con los límites de un dispositivo digital de clase B, de acuerdo con la parte 15 de las reglas de la FCC. Estos límites están diseñados para proporcionar una protección razonable contra la interferencia perjudicial en una instalación residencial. Este equipo genera, utiliza y puede irradiar energía de radiofrecuencia y, si no se instala y utiliza de acuerdo con las instrucciones, puede causar interferencia dañina a las comunicaciones de radio. Sin embargo, no hay garantía de que no habrá interferencia en una instalación en particular.

Si este equipo causa interferencia dañina a la recepción de radio o televisión, que puede determinarse apagando y encendiendo el equipo, se recomienda al usuario tratar de corregir la interferencia mediante una o más de las siguientes medidas:

- Reoriente o reubique la antena receptora.
- Aumente la separación entre el equipo y el receptor.
- Conecte el equipo a un tomacorriente en un circuito distinto al que está conectado el receptor.
- Consulte al distribuidor o a un técnico de radio/TV con experiencia para obtener ayuda.
- Los cambios o modificaciones no aprobados expresamente por la parte responsable del cumplimiento podrían anular la autoridad del usuario para operar el equipo.

Exposición a radiofrecuencias

Este equipo cumple con los límites de exposición a la radiación de la FCC e ISED establecidos para un entorno no controlado. Este equipo debe ser instalado y operado a una distancia mínima de 20 cm entre el equipo y su cuerpo. Este dispositivo y sus antenas no deben ubicarse ni operar junto con ninguna otra antena o transmisor. Escriba a intsupport@alarm.com para obtener más información acerca del cumplimiento de la normativa canadiense sobre la exposición a radiofrecuencias.

ID de la FCC

ID de la FCC: YL6-143V730

Declaraciones de ISED

Condición

Este dispositivo contiene transmisores/receptores exentos de licencia que cumplen con las especificaciones RSS exentas de licencia de Innovation, Science and Economic Development Canada (ISED). Su funcionamiento está sujeto a las siguientes dos condiciones:

1. Este dispositivo no debe causar interferencia.
2. Este dispositivo debe aceptar cualquier interferencia, incluyendo la interferencia que pueda causar un funcionamiento no deseado del dispositivo.

Cet appareil contient des émetteurs/récepteurs sans licence qui sont conformes aux RSS sans licence d'Innovation, Sciences et Développement économique Canada. L'exploitation est soumise aux deux conditions suivantes :

1. Cet appareil ne doit pas provoquer d'interférences.
2. Cet appareil doit accepter toute interférence, y compris les interférences susceptibles de provoquer un fonctionnement indésirable de l'appareil.

Exposición a radiofrecuencias

Cet appareil est conforme aux limites d'exposition aux radiofréquences établies par la FCC et l'ISED pour un environnement non contrôlé. Cet appareil doit être installé et utilisé à une distance minimale de 20 centimètres entre l'appareil et votre corps. Cet appareil et son ou ses antennes ne doivent pas être situés ou fonctionner en conjonction avec une autre antenne ou un autre émetteur. Veuillez communiquer avec intsupport@alarm.com pour obtenir plus d'information sur la conformité aux exigences canadiennes en matière d'exposition aux radiofréquences.

ID de IC (Industry Canada)

ID: 9111A-143V730

Declaración de conformidad de la UE

Por el presente, Alarm.com Incorporated declara que el tipo de equipo ADC-V730 cumple con la Directiva 2014/30/UE. El texto completo de la declaración de conformidad de la UE está disponible en la siguiente dirección de Internet:

<https://www.alarm.com/about/international/eu-red>

Français

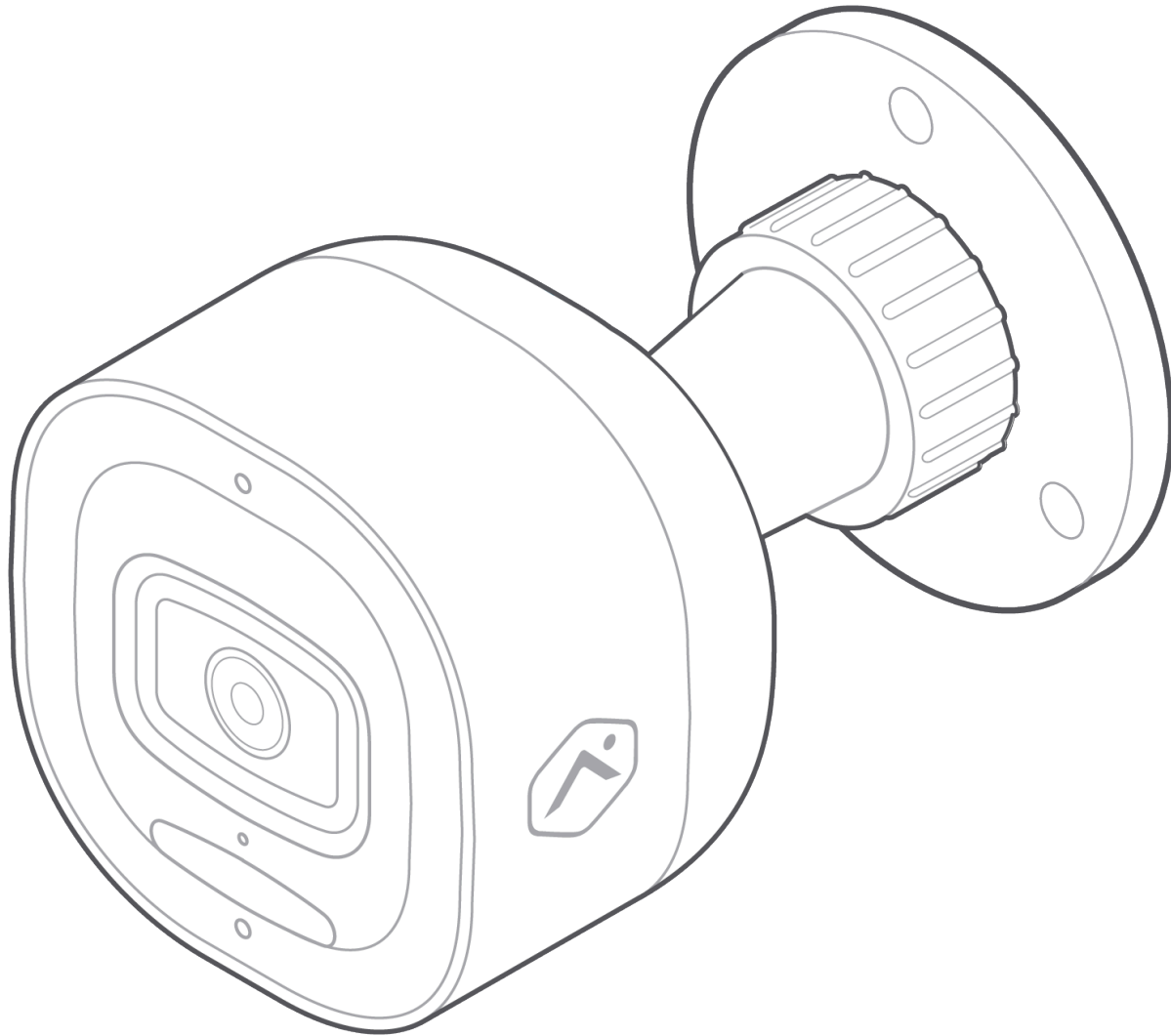
Liste de contrôle avant l'installation

- Une caméra ADC-V730 (comprise)
- Un adaptateur de courant alternatif (compris)
- Une connexion Wi-Fi (2,4 ou 5 GHz) à l'Internet sur un réseau à large bande (par câble, DSL ou fibre optique). Consultez l'article [Quelles sont les exigences en matière de service Internet et de bande passante pour les appareils vidéo Alarm.com?](#) pour obtenir plus d'information sur les exigences en matière de bande passante.
- Un ordinateur, une tablette ou un téléphone intelligent doté de la fonctionnalité Bluetooth ou Wi-Fi est requis si la fonctionnalité de configuration par Wi-Fi protégé (WPS) est absente des fonctionnalités du routeur.

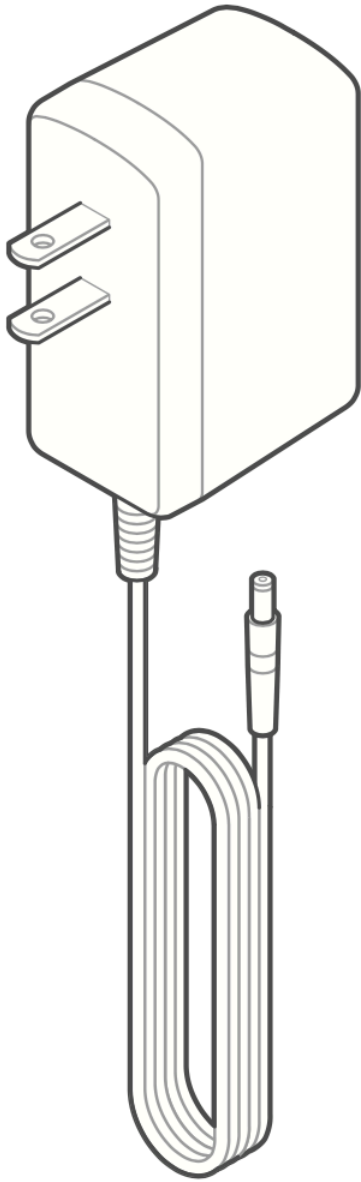
Trois différentes options existent pour établir la connexion de l'appareil ADC-V730 avec le réseau Wi-Fi : le mode Bluetooth, le mode par point d'accès (AP) ou le mode WPS. Utilisez le mode WPS si vous avez facilement accès au routeur du client et si la fonctionnalité WPS est activée sur le routeur.

Remarque: Certains fournisseurs de services Internet désactivent la fonctionnalité WPS sur les routeurs de leurs clients. Le mode Bluetooth est la façon la plus fiable d'installer cet appareil.

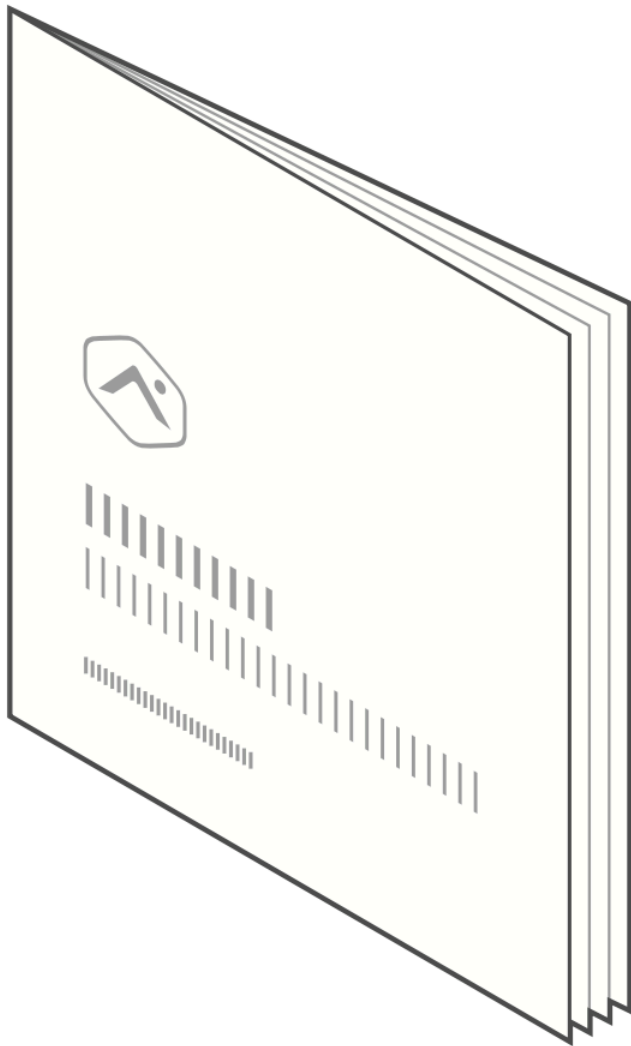
Dans la boîte



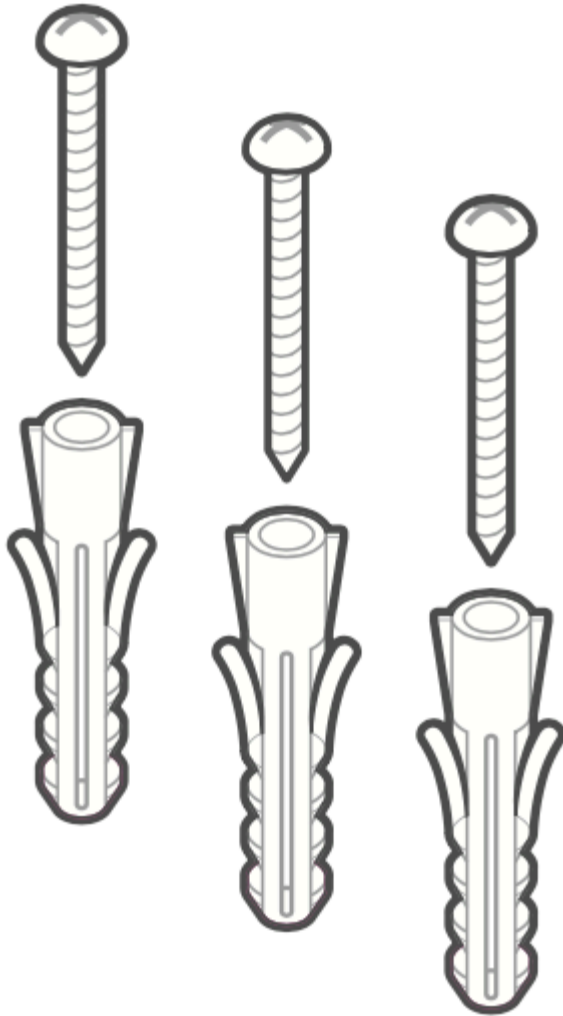
La caméra ADC-V730



Adaptateur de courant de 12 V/1,5 A



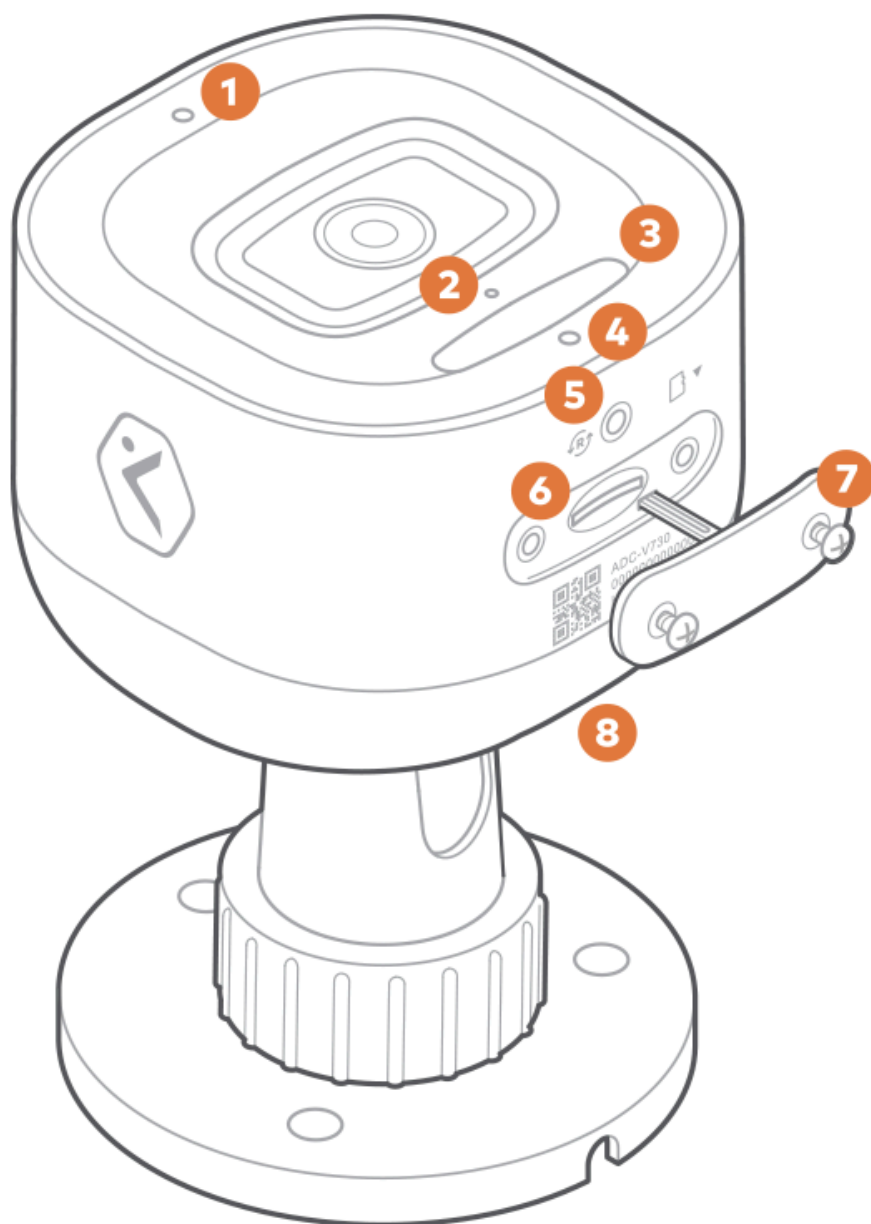
Guide d'installation



Encrage mural et vis (3)

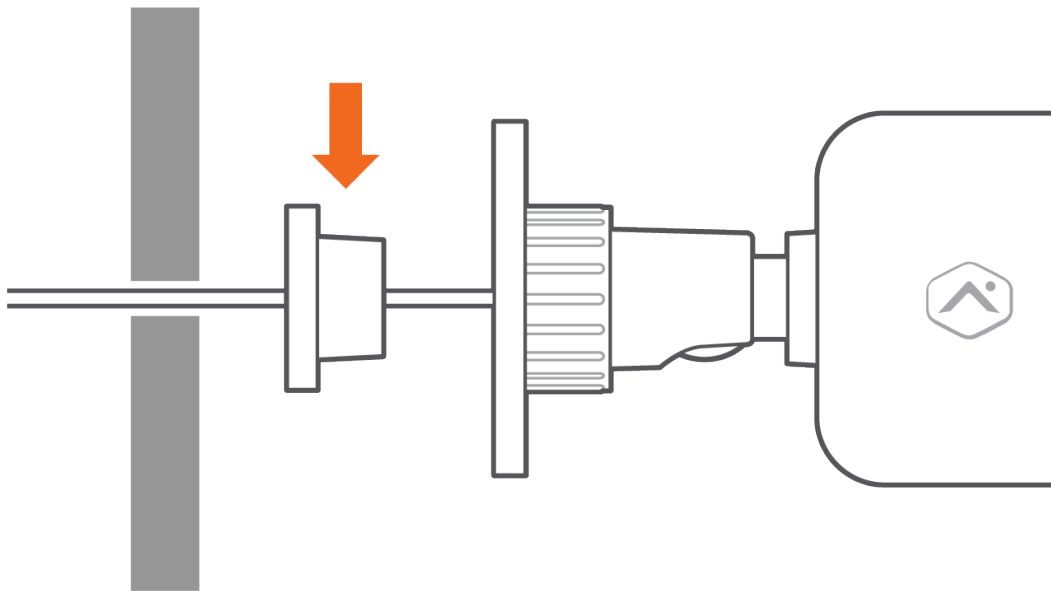
Vue d'ensemble

1. Capteur de lumière ambiante
2. Microphone
3. Projecteur
4. Voyant d'état
5. Bouton de réinitialisation/WPS
6. Fente pour carte mémoire SD
7. Porte de compartiment de carte mémoire SD
8. Haut-parleur

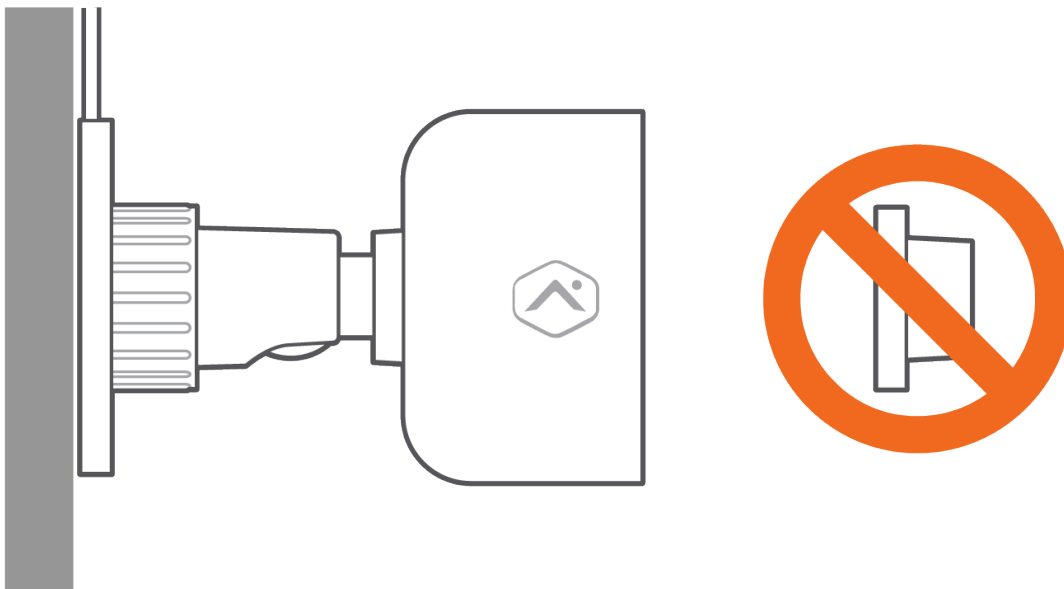


Le bouchon en caoutchouc

Un bouchon en caoutchouc est inclus avec votre appareil ADC-V724, à la base du support. Ce bouchon en caoutchouc ne devrait servir qu'en cas d'installation de l'appareil directement dans un trou du mur. Ce bouton fournira l'étanchéité nécessaire pour empêcher l'eau d'entrer dans le trou du mur situé derrière l'appareil.



Le bouton en caoutchouc est inutile dans tout autre type d'installations. Le retrait du bouchon de caoutchouc vous permettra de faire passer le câble d'alimentation sans avoir à plier ou à casser le câble.



Installation

Consultez l'article sur [Les meilleures pratiques d'installation des appareils vidéo](#) pour obtenir de l'information générale sur l'installation d'équipement vidéo et sur les guides d'entretien.

Consultez le [Guide d'utilisateurs et d'installation de système audio bidirectionnel](#) pour obtenir plus d'information à propos de la configuration et de l'utilisation de l'audio bidirectionnel.

Tout agrandir

Le mode Bluetooth (recommandé)^

Suivez les étapes suivantes pour garantir un signal Wi-Fi suffisant. La caméra doit se trouver près de l'endroit d'installation, sans l'installer.

1. Branchez l'adaptateur de courant alternatif à la caméra, puis branchez-le à une prise de courant sans commutation. Si le cordon de l'adaptateur de courant standard est trop court pour être inséré dans une prise, reportez-vous à l'article « Comment prolonger l'alimentation d'une caméra ? ».
2. Le voyant indicateur blanc de la caméra commencera à clignoter. Si le voyant indicateur ne devient pas blanc après 2 minutes, appuyez sur le bouton de réinitialisation/WPS durant environ 3 secondes, jusqu'à ce que le voyant indicateur devienne blanc.
3. Ouvrez l'application d'Alarm.com ou l'application MobileTech sur un appareil mobile doté de la fonctionnalité Bluetooth activée, puis sélectionnez le compte du client. Rendez-vous dans le flux pour *Ajouter un appareil vidéo*. Une invite s'affichera pour accepter les autorisations requises si c'est la première fois que vous utilisez le flux de l'installation par Bluetooth sur l'appareil.
4. Pour établir une connexion, configurer et finaliser l'ajout de la caméra, veuillez suivre les instructions à l'écran.

Le mode point d'accès (AP) (alternative)

^

Suivez les étapes suivantes pour garantir un signal Wi-Fi suffisant. La caméra doit se trouver près de l'endroit d'installation, sans l'installer.

1. Branchez l'adaptateur de courant alternatif à la caméra, puis branchez-le à une prise de courant sans commutation. Si le cordon de l'adaptateur de courant standard est trop court pour être inséré dans une prise, reportez-vous à l'article Comment prolonger l'alimentation d'une caméra.
2. Le voyant indicateur blanc de la caméra commencera à clignoter. Si le voyant indicateur ne devient pas blanc après 2 minutes, appuyez sur le bouton de réinitialisation/WPS durant environ 3 secondes, jusqu'à ce que le voyant indicateur devienne blanc.
3. Connectez-vous au réseau Wi-Fi ADC-V730 (XX:XX:XX) avec un appareil qui a accès à l'Internet. Les caractères XX:XX:XX représentent les six derniers caractères de l'adresse MAC de votre caméra ADC-V730. L'information se trouve sur la caméra ou sur l'emballage de l'appareil.
4. Utilisez un navigateur Web sur le même appareil pour saisir l'adresse URL <http://v730install.com> ou 192.168.1.1 dans le champ de recherche. Suivez les instructions à l'écran pour ajouter l'appareil ADC-V730 au réseau Wi-Fi. Le voyant indicateur deviendra brièvement rouge avant de clignoter en vert. Le voyant indicateur vert s'allumera lorsque la connexion sera établie.
5. Ajoutez l'appareil au compte du client en sélectionnant le compte dans l'application MobileTech. Vous pouvez aussi utiliser un navigateur Web pour vous rendre sur le site www.alarm.com/addcamera (vous aurez alors besoin du nom d'utilisateur et du mot de passe du client.)
6. Sélectionnez la caméra dans la liste d'appareils vidéo ou saisissez son adresse MAC pour commencer le processus d'ajout de la caméra. L'adresse MAC est inscrite à l'arrière de la caméra ou sur l'emballage.
7. Suivez les instructions à l'écran pour terminer le processus d'ajout de la caméra.

Vous pouvez maintenant éteindre la caméra pour l'installer à son emplacement définitif à l'aide de la quincaillerie fournie. Les paramètres de la caméra peuvent être configurés au moyen du site Web des clients d'Alarm.com.

Le mode WPS (alternative)

^

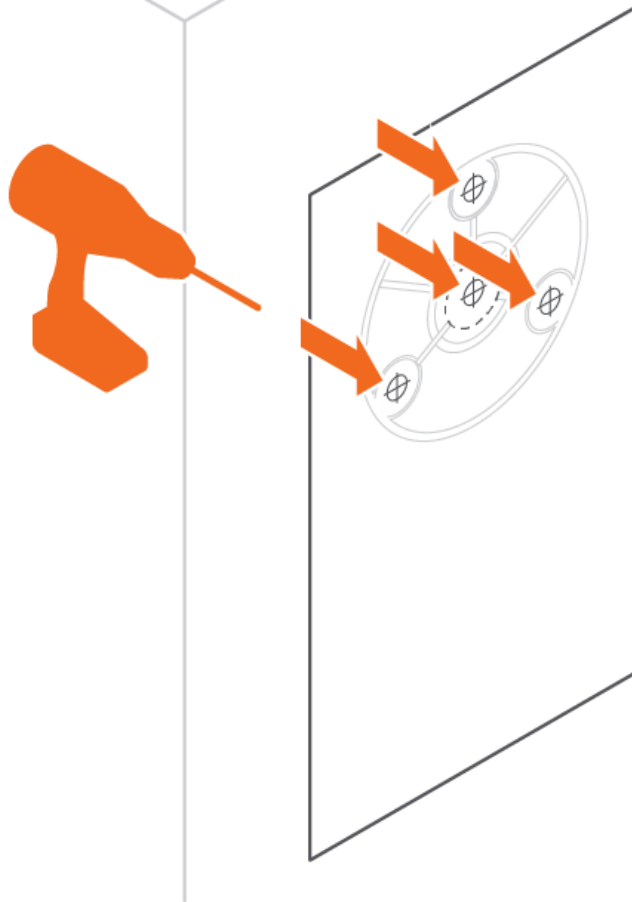
Suivez les étapes suivantes pour garantir un signal Wi-Fi suffisant. La caméra doit se trouver près de l'endroit d'installation, sans l'installer.

1. Branchez l'adaptateur de courant alternatif à la caméra, puis branchez-le à une prise de courant sans commutation.
2. Appuyez sur le bouton de réinitialisation/WPS durant environ 6 secondes une fois l'étape de démarrage terminée (le voyant indicateur de la caméra clignotera en blanc), jusqu'à ce que le voyant commence à clignoter en bleu.
3. Activez le mode WPS sur le routeur. La caméra commencera à établir la connexion au réseau Wi-Fi. Le voyant indicateur vert s'allumera lorsque la connexion sera établie.
4. Ajoutez l'appareil au compte du client en sélectionnant le compte dans l'application MobileTech. Vous pouvez aussi utiliser un navigateur Web pour vous rendre sur le site www.alarm.com/addcamera (vous aurez alors besoin du nom d'utilisateur et du mot de passe du client.)
5. Sélectionnez la caméra dans la liste d'appareils vidéo ou saisissez son adresse MAC pour commencer le processus d'ajout de la caméra. L'adresse MAC est inscrite à l'arrière de la caméra ou sur l'emballage.
6. Suivez les instructions à l'écran pour terminer le processus d'ajout de la caméra.

Vous pouvez maintenant éteindre la caméra pour l'installer à son emplacement définitif à l'aide de la quincaillerie fournie. Les paramètres de la caméra peuvent être configurés au moyen du site Web des clients d'Alarm.com.

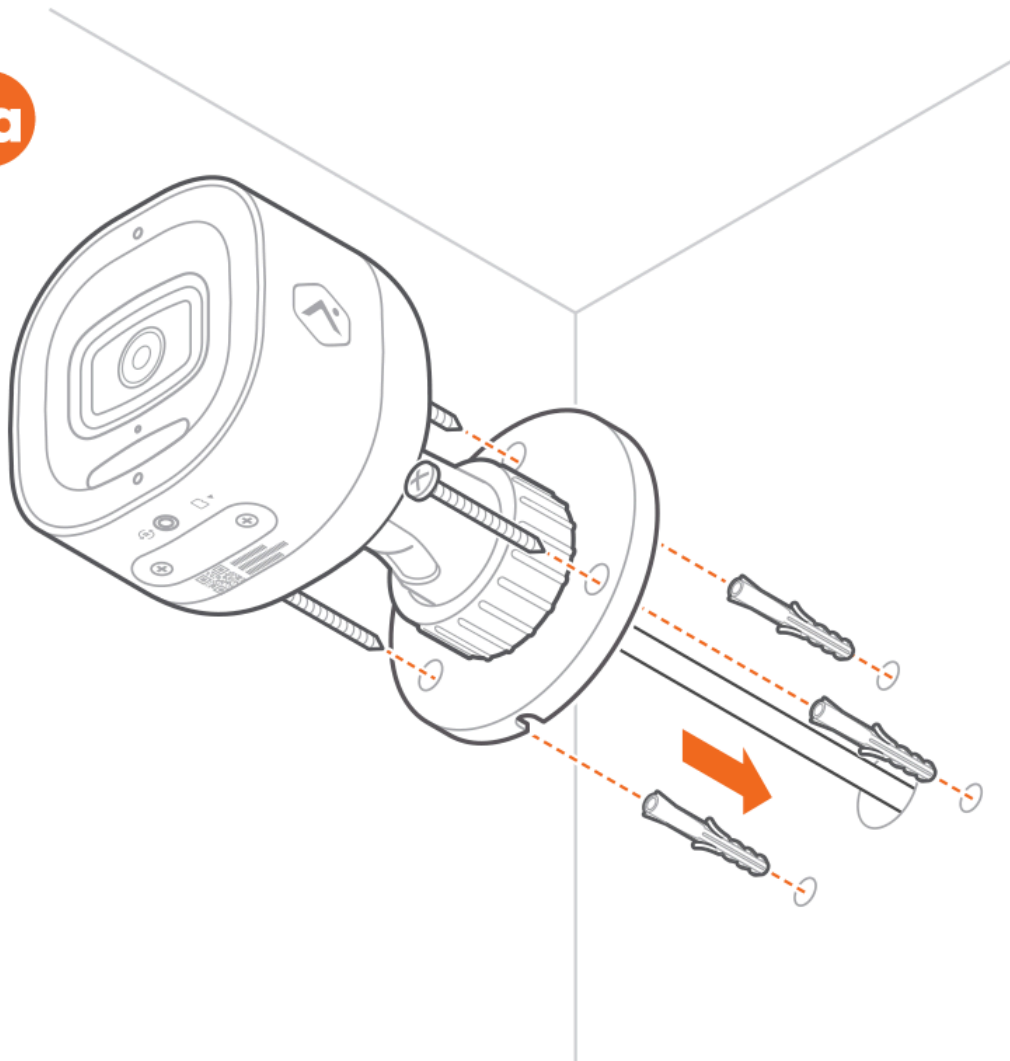
Vue d'ensemble du montage de la caméra

1



L'installation de l'appareil ADC-V730 lorsque le câble d'alimentation électrique doit passer dans un mur: ^

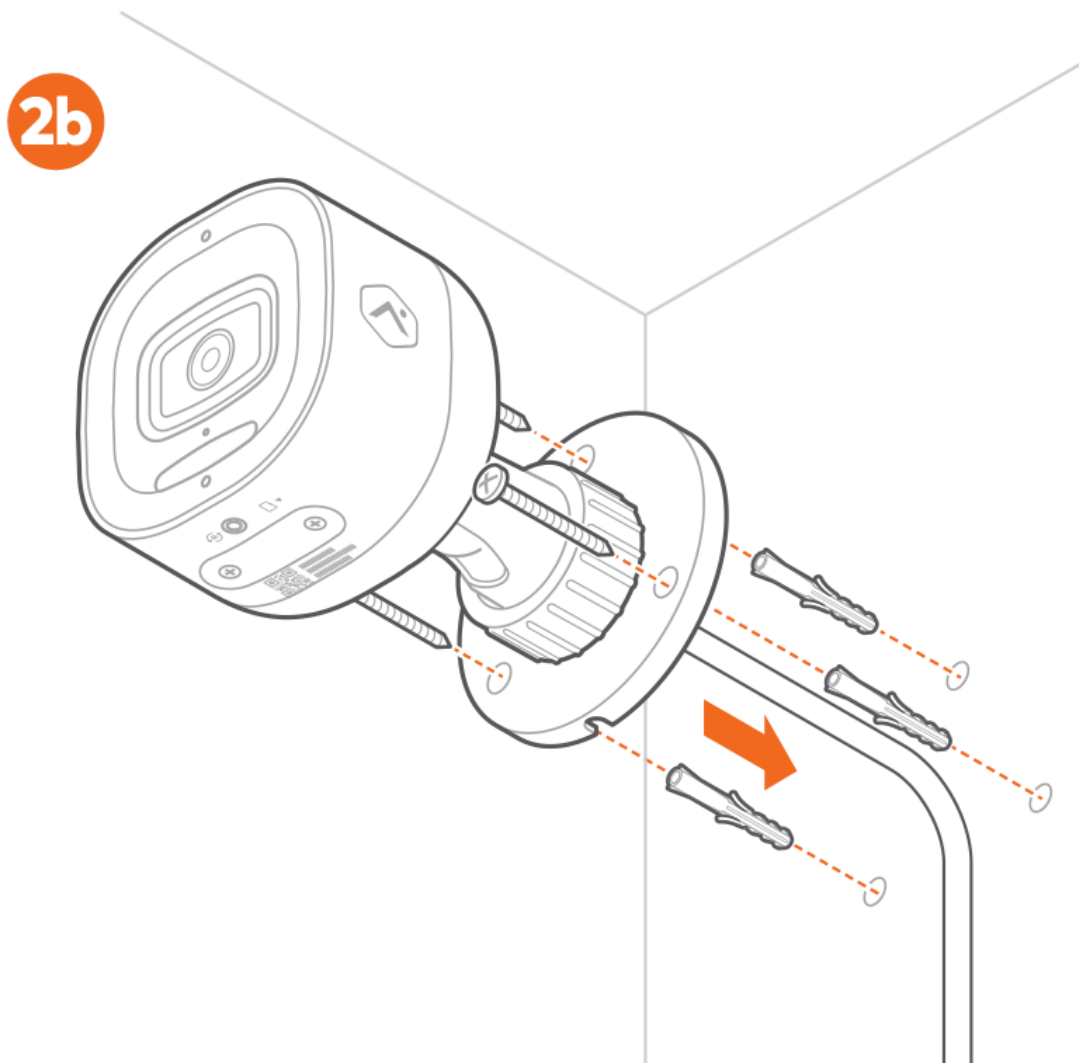
2a



1. La caméra devrait être installée à au moins 2,44 m (8 pi) du sol, sur une surface plane (c'est-à-dire, un mur ou un plafond). Utilisez le bouchon en caoutchouc.
2. Assurez-vous qu'aucun obstacle ne se trouve près de la caméra. Tout obstacle pourrait entraîner un mauvais rendement de la vision nocturne.
3. Utilisez le gabarit de perçage fourni pour marquer l'emplacement des trous pour le câble d'alimentation électrique et des vis de montage. Percez un trou de 2,54 cm (1/2 pouce) au centre du gabarit pour le câble d'alimentation électrique. Si le montage est fait sur une cloison sèche, percez trois trous de 7 mm (0,28 pouce) et insérez les ancrages muraux M5 fournis. Si le montage est fait sur une surface solide, comme du bois, percez trois trous pilotes de 3 mm (1/8 po).
4. Branchez le connecteur de 12 V CC à un adaptateur de 12 V CC. Insérez le câble d'alimentation en courant dans le trou central.

5. Alignez la caméra avec les trois trous créés à l'étape 3. Utilisez les vis autotaraudeuses ST4,8 x 32 mm fournies pour fixer la caméra à la surface de montage. (Des vis à cloison sèche no 10 ou des vis Tapcon de 76,2 mm ou 3/16 pouces sont aussi acceptables.)

L'installation de l'appareil ADC-V730 lorsque le câble d'alimentation électrique doit passer le long d'un mur: ^



1. La caméra devrait être installée à au moins 2,44 m (8 pi) du sol, sur une surface plane (c'est-à-dire, un mur ou un plafond). Retirez le bouchon en caoutchouc.
2. Assurez-vous qu'aucun obstacle ne se trouve près de la caméra. Tout obstacle pourrait entraîner un mauvais

rendement de la vision nocturne.

3. Utilisez le gabarit de perçage fourni pour marquer l'emplacement des trous pour les vis de montage. Si le montage est fait sur une cloison sèche, percez trois trous de 7 mm (0,28 pouce) et insérez les ancrages muraux M5 fournis. Si le montage est fait sur une surface solide, comme du bois, percez trois trous pilotes de 3 mm (1/8 po).
4. Branchez le connecteur de 12 V CC à un adaptateur de 12 V CC.
5. Alignez la caméra avec les trois trous créés à l'étape 3. Utilisez les vis autotaraudeuses ST4,8 x 32 mm fournies pour fixer la caméra à la surface de montage. (Des vis à cloison sèche no 10 ou des vis Tapcon de 76,2 mm ou 3/16 pouces sont aussi acceptables.) Faites passer le câble par la fente de la plaque de montage.

Guide de référence du voyant indicateur

État du voyant

Description

Éteint

Appareil éteint



Vert fixe

Connecté à Alarm.com



Vert clignotant

Connecté au réseau local



Rouge clignotant

En marche, redémarrage en cours



Rouge fixe

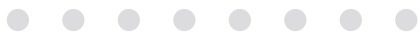
Aucune connexion locale ou à Internet



État du voyant

Description

Blanc clignotant



Modes Bluetooth et point d'accès Wi-Fi (appuyez sur le bouton pendant 3 à 6 s)

Bleu clignotant



Mode WPS (appuyez sur le bouton pendant 6 à 9 s)

Jaune clignotant



Redémarrage en cours (appuyez sur le bouton pendant 9 à 12 s)

Rouge et vert clignotant



Réinitialisation aux paramètres d'usine (appuyez sur le bouton pendant 12 à 15 s)

Vert et bleu clignotant



Mise à jour de micrologiciel en cours

Dépannage

1. Si vous avez de la difficulté à établir la connexion entre la caméra et votre compte, éteignez et rallumez l'appareil, puis réessayez.
2. Réinitialisez la caméra aux paramètres d'usine si le problème persiste. Appuyez sur le bouton de réinitialisation/WPS durant environ 12 secondes, jusqu'à ce que le voyant indicateur clignote en vert et rouge. La caméra redémarrera avec les paramètres d'usine.

La caméra devra être supprimée du compte avant d'être réinstallée si elle a précédemment été installée sur un autre compte d'Alarm.com.

Avertissement : Une exposition prolongée aux rayons solaires dans des conditions extrêmes pourrait affecter le

rendement de la caméra. Le meilleur endroit pour installer cet appareil se situe dans un endroit ombragé, sous un avant-toit par exemple.

Les déclarations réglementaires

Température de fonctionnement : entre -40 °C et 50 °C (entre -40 °F et 122 °F)

Indice de protection : IP66

Les déclarations de la FCC (Federal Communications Commission aux É.-U.)

La déclaration abrégée de la FCC, partie 15

Cet appareil est conforme à la section 15 des règlements de la FCC. Le fonctionnement de l'appareil est soumis aux deux conditions suivantes : (1) cet appareil ne doit pas causer d'interférences nuisibles, et (2) cet appareil doit accepter toute interférence reçue, y compris les interférences qui pourraient causer un fonctionnement indésirable.

La déclaration longue de la FCC, partie 15

Cet appareil a été testé et il a été déclaré conformes aux limites d'un dispositif numérique de classe B, conformément à la section 15 des règlements de la FCC. Ces limites sont conçues pour fournir une protection raisonnable contre les interférences nuisibles d'une installation résidentielle. Cet appareil génère, utilise et peut émettre une énergie de radiofréquence et, s'il n'est pas installé et utilisé conformément aux instructions, il peut causer des interférences nuisibles aux communications radio. Rien ne permet cependant de garantir que ces interférences se produiront à un moment quelconque.

Si cet appareil provoque des interférences nuisibles à la réception des appareils radio ou des téléviseurs, ce qui peut être déterminé en éteignant et en rallumant l'appareil, nous suggérons d'essayer de corriger les interférences au moyen de l'une des mesures suivantes :

- Réorientez ou déplacez l'antenne de réception.
- Augmentez la distance entre l'appareil et le récepteur.
- Branchez l'appareil sur une prise de courant différente de celle utilisée pour le récepteur.
- Faites appel à un fournisseur de services ou un technicien spécialisé dans les appareils radio et téléviseur pour obtenir de l'aide.
- Toute modification non expressément approuvée par la partie responsable de la conformité pourrait annuler l'autorisation donnée à l'utilisateur de faire fonctionner l'appareil.

L'exposition aux radiofréquences

Cet appareil est conforme aux limites d'exposition aux radiofréquences établies par la FCC et l'ISDE pour un environnement non contrôlé. Cet appareil doit être installé et utilisé à une distance minimale de 20 centimètres entre l'appareil et votre corps. Cet appareil et son ou ses antennes ne doivent pas être situés ou fonctionner en conjonction

avec une autre antenne ou un autre émetteur. Écrivez à l'adresse intsupport@alarm.com pour obtenir plus d'informations sur la conformité canadienne en matière d'exposition aux radiofréquences.

L'identifiant de la FCC

ID de la FCC : YL6-143V730

Les déclarations de l'ISDE (Innovation, Sciences et Développement économique Canada)

Les conditions

Cet appareil comprend des transmetteurs ou des récepteurs exempts de licence qui sont conforme aux formats RSS exempts de licence du ministère de l'Industrie, ou Innovation, Sciences et Développement économique Canada. Le fonctionnement de l'équipement est soumis à deux conditions :

1. Cet appareil ne doit pas provoquer d'interférence.
2. Cet appareil doit accepter toute interférence, y compris celles qui pourraient provoquer un fonctionnement indésirable de l'appareil.

Cet appareil contient des émetteurs ou récepteurs exempts de licence qui sont conformes aux RSS exempts de licence de l'organisme Innovation, Sciences et Développement économique Canada. L'exploitation est soumise aux deux conditions suivantes :

1. Cet appareil ne doit pas provoquer d'interférences.
2. Cet appareil doit accepter toute interférence, y compris les interférences susceptibles de provoquer un fonctionnement indésirable de l'appareil.

L'exposition aux radiofréquences

Cet appareil est conforme aux limites d'exposition aux radiofréquences établies par la FCC et l'ISDE pour un environnement non contrôlé. Cet appareil doit être installé et utilisé à une distance minimale de 20 centimètres entre l'appareil et votre corps. Cet appareil et son ou ses antennes ne doivent pas être situés ou fonctionner en conjonction avec une autre antenne ou un autre émetteur. Écrivez à l'adresse intsupport@alarm.com pour obtenir plus d'informations sur la conformité canadienne en matière d'exposition aux radiofréquences.

L'identifiant de l'IC (Industrie Canada)

ID : 9111A-143V730

La Déclaration de conformité de l'UE (Union européenne)

Par la présente, Alarm.com Incorporated déclare que l'équipement de type ADC-V730 est conforme à la directive 2014/30/UE. Le texte complet de la déclaration de conformité de l'UE est disponible à l'adresse Internet suivante :

https://answers.alarm.com/Partner/Installation_and_Troubleshooting/Video_Devices/4MP_Outdoor_Wi-Fi_Spotlight_Camera_...

Updated: Tue, 30 Sep 2025 17:53:58 GMT

Português

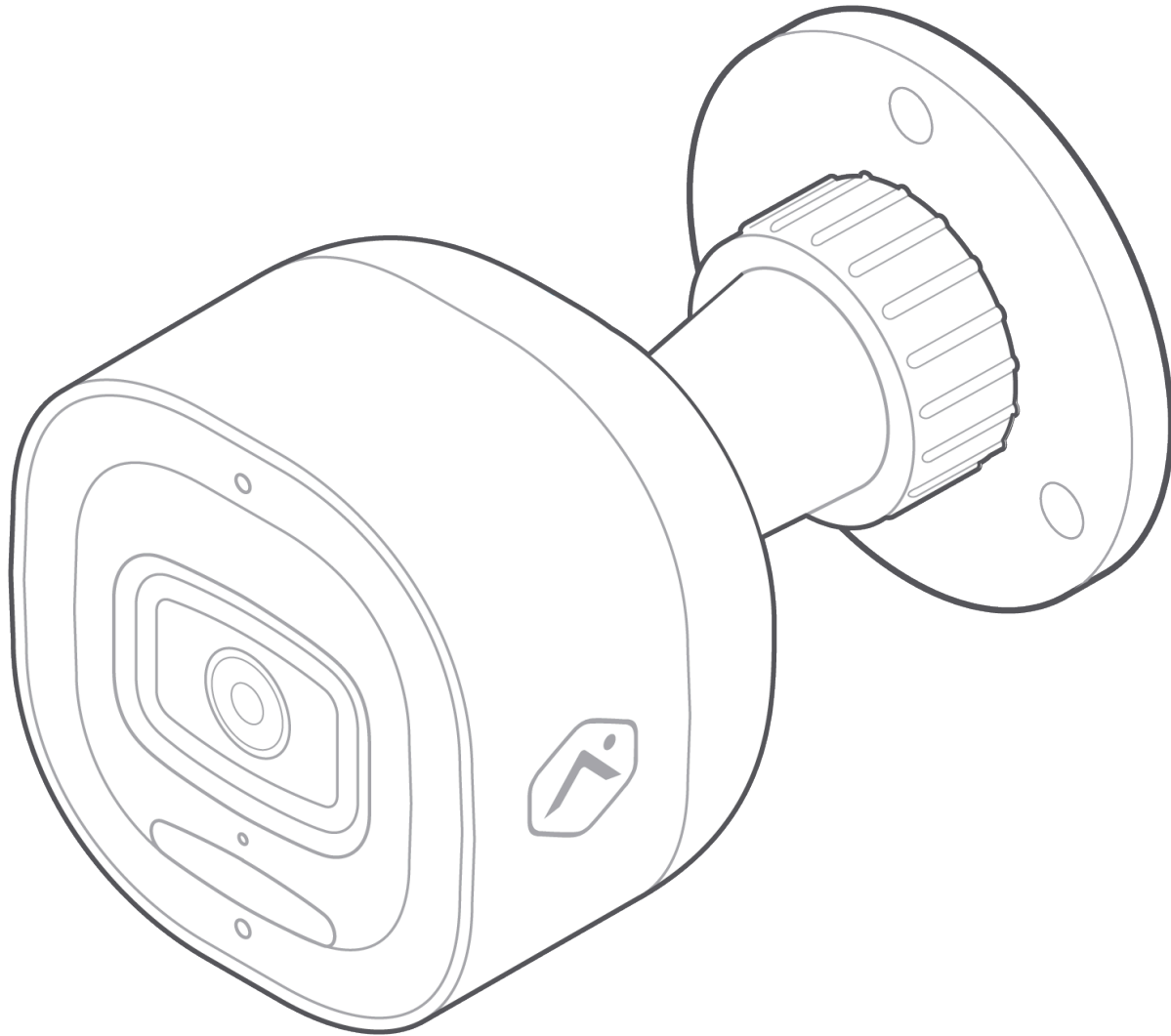
Lista de verificação pré-instalação

- Câmera ADC-V730 (incluída)
- Adaptador de alimentação CA (incluído)
- Conexão Wi-Fi (2,4 ou 5 GHz) à internet banda larga (cabo, DSL ou fibra óptica). Para obter informações sobre requisitos de largura de banda, consulte [Quais são os requisitos de serviço de internet e largura de banda para dispositivos de vídeo da Alarm.com?](#)
- Computador, tablet ou smartphone com Bluetooth ou Wi-Fi caso o roteador não tenha o recurso Wi-Fi Protected Setup (WPS)

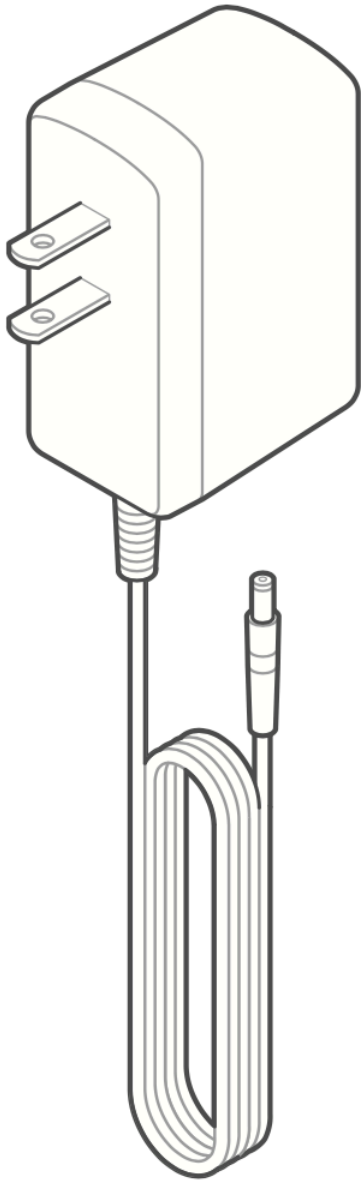
Há três opções de modo para conectar a câmera ADC-V730 à rede Wi-Fi: Bluetooth, ponto de acesso (AP) e Wi-Fi Protected Setup (WPS). Use o modo WPS se tiver acesso fácil ao roteador do cliente e se o padrão de segurança WPS estiver habilitado no roteador.

Observação: alguns provedores de serviços de internet desabilitam o recurso WPS nos roteadores dos clientes. O modo Bluetooth é o método mais confiável para a instalação.

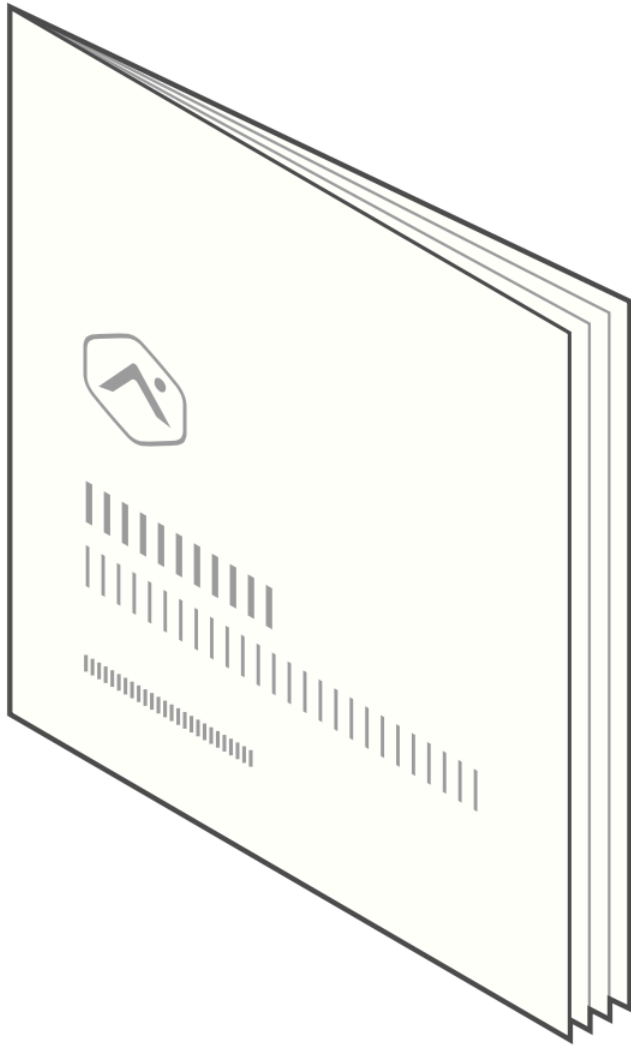
Conteúdo da caixa



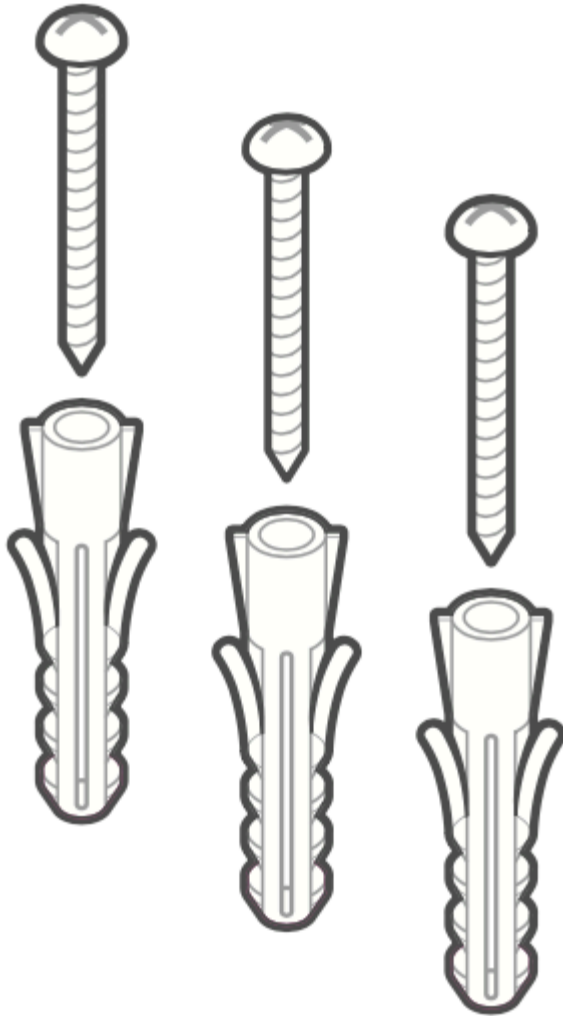
Câmera ADC-V730



Adaptador de alimentação de 12 V/1,5 A



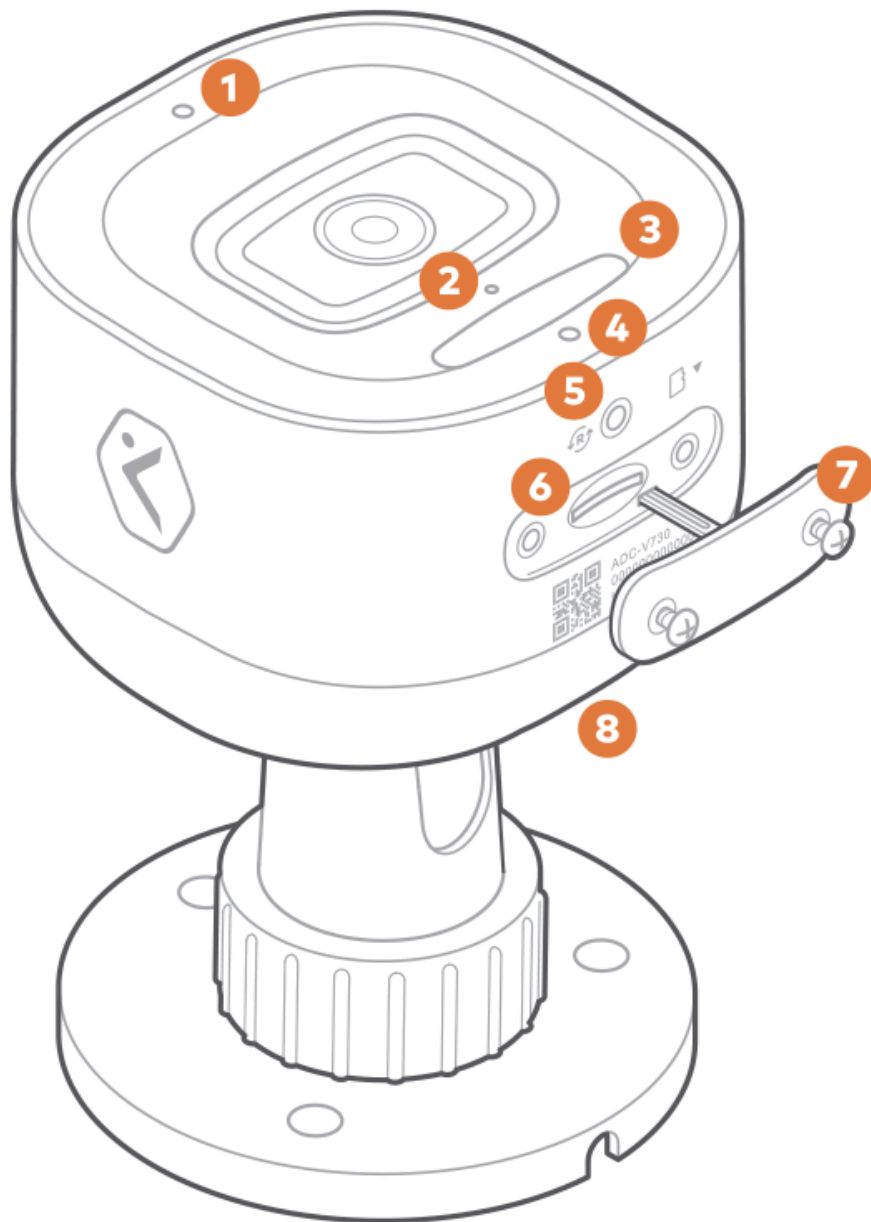
Guia de instalação



Buchas e parafusos (×3)

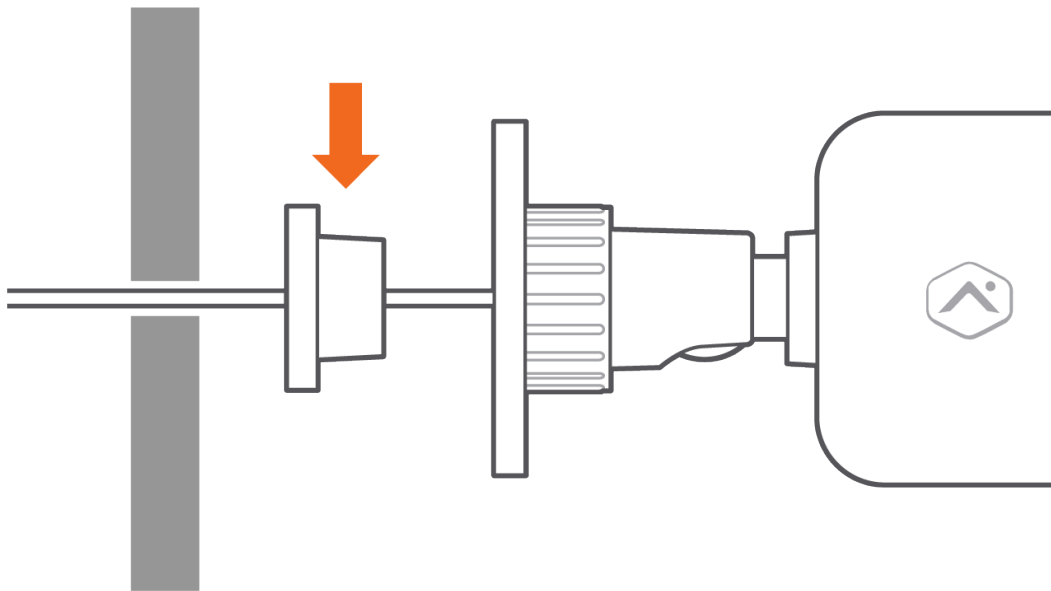
Visão geral

1. Sensor de luz ambiente
2. Microfone
3. Holofote
4. LED de status
5. Botão WPS/Reset
6. Slot para cartão SD
7. Porta para cartão SD
8. Alto-falante

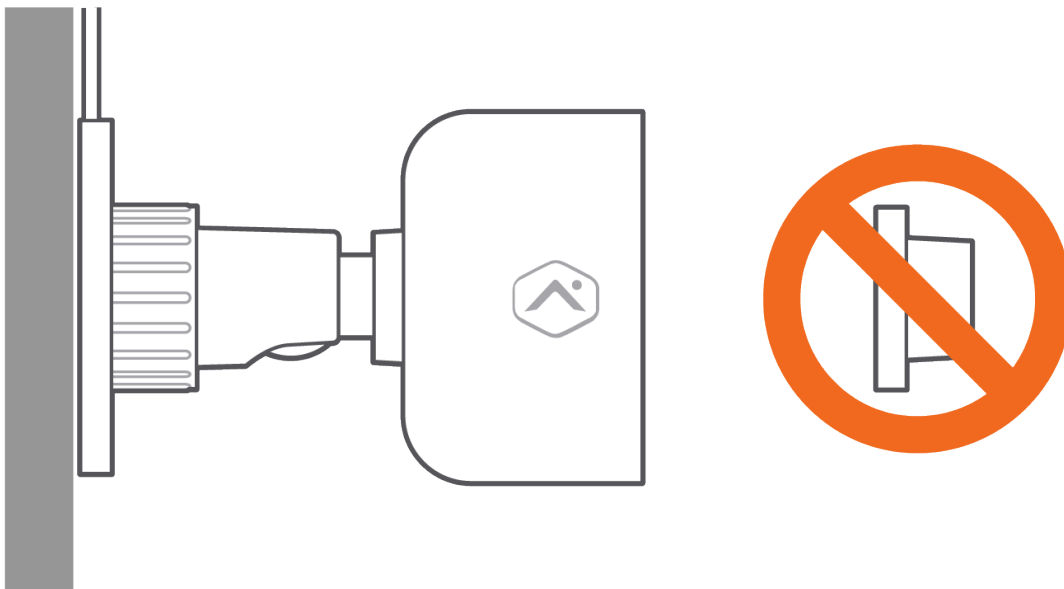


Passa-fios de borracha

Há um passa-fios de borracha na base do suporte de montagem da câmera ADC-V730. Utilize-o se você estiver instalando a câmera diretamente sobre um orifício na parede. O passa-fios garantirá a vedação para evitar a entrada de água no orifício na parede atrás da câmera.



Em todas as outras instalações, remova o passa-fios de borracha. Dessa forma, você poderá introduzir o cabo de alimentação no orifício da parede sem dobrar nem quebrar o cabo.



Instalação

Para obter orientações gerais de instalação e manutenção de dispositivos de vídeo, consulte [Práticas recomendadas para a instalação de dispositivos de vídeo](#).

Para obter informações sobre como configurar e utilizar o áudio bidirecional, consulte [Manual do usuário e de instalação de áudio bidirecional](#).

Expandir tudo

Modo Bluetooth (recomendado) ^

Para garantir a força do sinal Wi-Fi, coloque a câmera próxima ao local de instalação, sem fixá-la, e siga estas etapas:

1. Conecte o adaptador de alimentação CA à câmera e a uma tomada exclusiva. Se a fonte de alimentação padrão for curta demais para alcançar uma tomada, consulte [Como estender a fonte de alimentação de uma câmera?](#).
2. O LED da câmera começará a piscar na cor branca. Se o LED não ficar branco após dois minutos, mantenha o botão WPS/Reset pressionado até que o LED comece a piscar em branco, o que leva cerca de três segundos.
3. Em um dispositivo móvel com Bluetooth, abra o aplicativo da Alarm.com ou o aplicativo MobileTech para parceiros e selecione a conta do cliente. Navegue até a opção *Adicionar dispositivo de vídeo*. Se esta for a primeira vez que utiliza a conexão por Bluetooth no dispositivo, um aviso solicitará que você forneça as permissões necessárias.
4. Siga as instruções exibidas na tela para conectar, configurar e finalizar a adição da câmera.

Modo AP (alternativo)

^

Para garantir a força do sinal Wi-Fi, coloque a câmera próxima ao local de instalação, sem fixá-la, e siga estas etapas:

1. Conecte o adaptador de alimentação CA à câmera e a uma tomada exclusiva. Se a fonte de alimentação padrão for curta demais para alcançar uma tomada, consulte [Como estender a fonte de alimentação de uma câmera?](#).
2. O LED da câmera começará a piscar na cor branca. Se o LED não ficar branco após dois minutos, mantenha o botão WPS/Reset pressionado até que o LED comece a piscar em branco, o que leva cerca de três segundos.
3. Em um dispositivo com conexão à internet, conecte-se à rede Wi-Fi ADC-V730 (XX:XX:XX), em que XX:XX:XX corresponde aos seis últimos caracteres do endereço MAC da câmera ADC-V730. Essa informação encontra-se na câmera ou na embalagem.
4. No mesmo dispositivo, use o navegador para acessar <http://v730install.com> ou 192.168.1.1. Siga as instruções exibidas na tela para adicionar a câmera ADC-V730 à rede Wi-Fi. O LED ficará vermelho por alguns instantes antes de piscar em verde. O LED permanecerá aceso em verde quando a conexão for estabelecida.
5. Selecione a conta no aplicativo MobileTech para parceiros ou use o navegador para acessar www.alarm.com/addcamera e adicionar o dispositivo à conta. Você precisará informar o nome de usuário e a senha do cliente.
6. Selecione a câmera na lista de dispositivos de vídeo ou informe o endereço MAC da câmera para dar início ao processo de adição. O endereço MAC encontra-se na câmera ou na embalagem.
7. Siga as instruções exibidas na tela para finalizar o processo de adição da câmera.

Na sequência, você poderá desligar a câmera e instalá-la usando as ferramentas fornecidas. É possível definir as configurações da câmera pelo site do cliente da Alarm.com.

Modo WPS (alternativo)

^

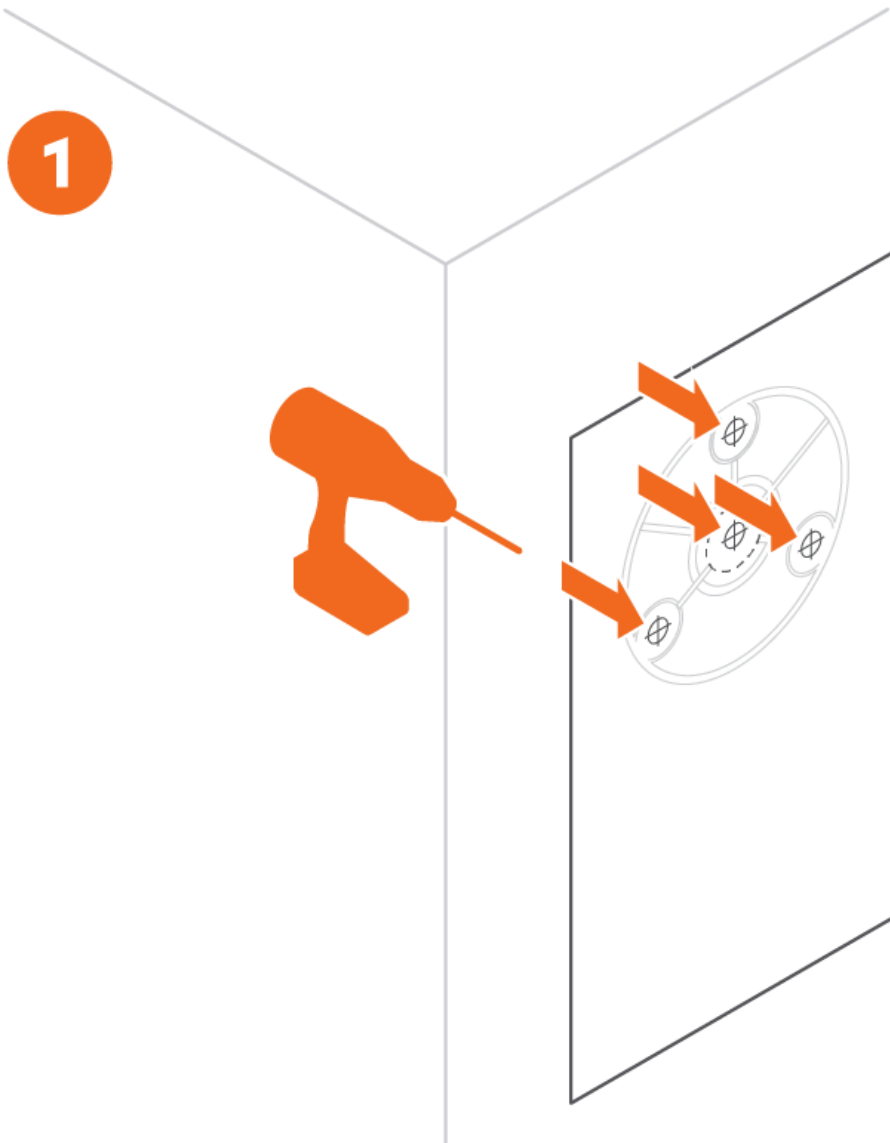
Para garantir a força do sinal Wi-Fi, coloque a câmera próxima ao local de instalação, sem fixá-la, e siga estas etapas.

1. Conecte o adaptador de alimentação CA à câmera e a uma tomada exclusiva.

2. Após o processo de inicialização (o LED da câmera estará piscando na cor branca), mantenha o botão WPS/Reset pressionado até que o LED comece a piscar na cor azul, o que leva cerca de seis segundos.
3. Ative o modo WPS no roteador. A câmera dará início à conexão à rede Wi-Fi. O LED permanecerá aceso em verde quando a conexão for estabelecida.
4. Selecione a conta no aplicativo MobileTech para parceiros ou use o navegador para acessar www.alarm.com/addcamera e adicionar o dispositivo à conta. Você precisará informar o nome de usuário e a senha do cliente.
5. Selecione a câmera na lista de dispositivos de vídeo ou informe o endereço MAC da câmera para dar início ao processo de adição. O endereço MAC encontra-se na câmera ou na embalagem.
6. Siga as instruções exibidas na tela para finalizar o processo de adição da câmera.

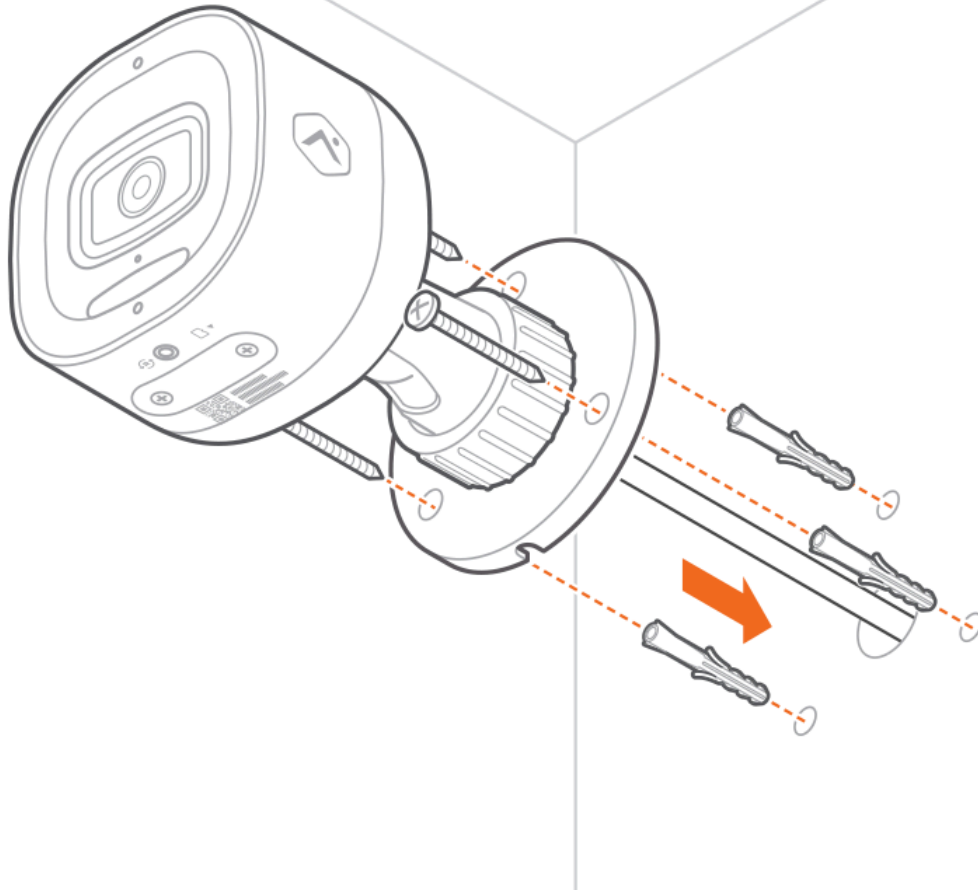
Na sequência, você poderá desligar a câmera e instalá-la usando as ferramentas fornecidas. É possível definir as configurações da câmera pelo site do cliente da Alarm.com.

Visão geral da montagem da câmera



Para montar a câmera ADC-V730 passando o cabo de alimentação através da parede: ^

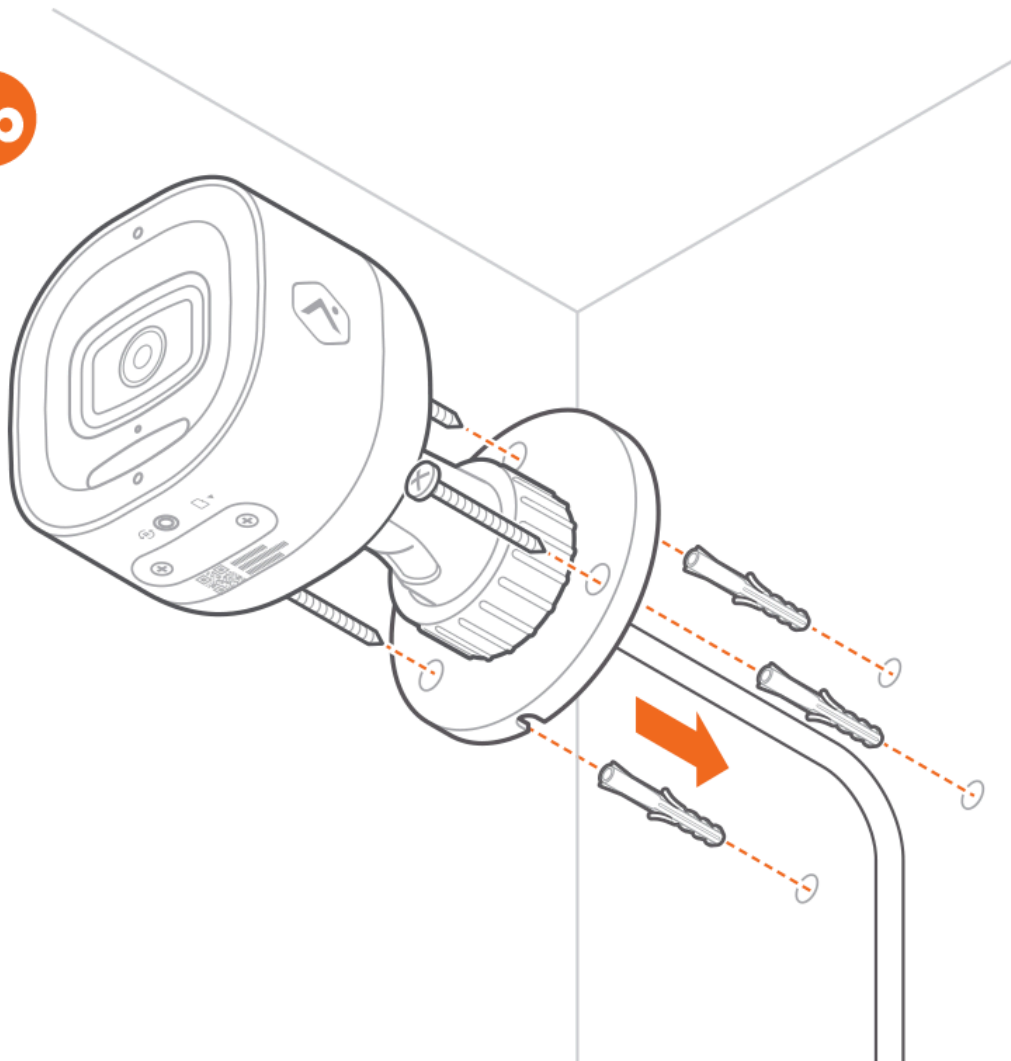
2a



1. A câmera deve ser montada a 2,5 metros (8 pés) ou mais acima do nível do solo, em uma superfície plana (como uma parede ou teto). Instale o passa-fios de borracha.
2. Certifique-se de que a câmera não esteja obstruída, pois isso pode prejudicar o desempenho da visão noturna.
3. Use o guia de perfuração incluído na embalagem do produto para marcar os orifícios para o cabo de alimentação e os parafusos de fixação. Faça um furo de 12,7 mm (0,5 pol.) no centro do modelo para o cabo de alimentação. Para montagem em drywall, faça três orifícios de 7 mm (0,3 pol.) e insira as buchas M5 incluídas. Para montagem em uma superfície sólida (por exemplo, madeira), faça três furos piloto de 3 mm (0,13 pol.).
4. Encaixe o conector de 12 VCC em um adaptador de 12 VCC desconectado. Passe o cabo de alimentação pelo orifício central.
5. Alinhe a câmera com os três orifícios perfurados na etapa 3. Use os parafusos autoatarraxantes ST4.8 x 32 mm incluídos para fixar a câmera à superfície de montagem (parafusos para drywall #10 ou parafusos Tapcon de 0,19 pol. também podem ser utilizados).

Para montar a câmera ADC-V730 passando o cabo de alimentação ao longo da parede: ^

2b



1. A câmera deve ser montada a 2,5 metros (8 pés) ou mais acima do nível do solo, em uma superfície plana (como uma parede ou teto). Remova o passa-fios de borracha.
2. Certifique-se de que a câmera não esteja obstruída, pois isso pode prejudicar o desempenho da visão noturna.
3. Use o guia de perfuração incluído na embalagem do produto para marcar os orifícios para os parafusos de fixação. Para montagem em drywall, faça três orifícios de 7 mm (0,3 pol.) e insira as buchas M5 incluídas. Para montagem em uma superfície sólida (por exemplo, madeira), faça três furos piloto de 3 mm (0,13 pol.).
4. Encaixe o conector de 12 VCC em um adaptador de 12 VCC desconectado.
5. Alinhe a câmera com os três orifícios perfurados na etapa 3. Use os parafusos autoatarraxantes ST4.8 x 32 mm incluídos para fixar a câmera à superfície de montagem (parafusos para drywall #10 ou parafusos Tapcon de 0,19

pol. também podem ser utilizados). Passe o cabo pela abertura na placa de montagem.

Legenda dos LEDs

Padrão do LED

Descrição

Apagado



Dispositivo desligado

Permanece aceso em verde



Conexão à Alarm.com

Pisca em verde



Conexão à rede local

Pisca em vermelho



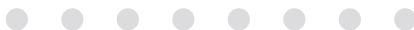
Dispositivo ligado; inicialização da câmera

Permanece aceso em vermelho



Sem conexão à rede local nem à internet

Pisca em branco



Modos Bluetooth e Ponto de acesso Wi-Fi (mantenha o botão pressionado de 3 a 6 segundos)

Padrão do LED

Descrição

Pisca em azul



Modo WPS (mantenha o botão pressionado de 6 a 9 segundos)

Pisca em amarelo



Reinicialização (mantenha o botão pressionado de 9 a 12 segundos)

Pisca alternando vermelho e verde



Restauração das configurações padrão de fábrica (mantenha o botão pressionado de 12 a 15 segundos)

Pisca alternando verde e azul



Atualização do firmware

Resolução de problemas

1. Caso tenha dificuldades para conectar a câmera à conta, desligue e ligue a câmera e tente novamente.
2. Se os problemas persistirem, restaure as configurações de fábrica da câmera. Mantenha o botão WPS/Reset pressionado até que o LED comece a piscar em verde e vermelho, o que leva cerca de 12 segundos. Em seguida, solte o botão. A câmera será reinicializada com os padrões de fábrica.

Caso a câmera já tenha sido instalada em outra conta da Alarm.com, será necessário excluí-la para que seja possível instalá-la novamente.

Cuidado: a exposição prolongada à luz do sol pode interferir no desempenho da câmera. O ideal é instalar a câmera em um local protegido do sol, como debaixo de um beiral.

Declarações regulatórias

Temperatura de funcionamento: de -40 a 50 °C (de -40 a 122 °F)

Proteção contra entrada: IP66

Declarações de conformidade com a FCC

Declaração de conformidade com a Parte 15 da FCC – versão abreviada

Esse dispositivo está em conformidade com a Parte 15 das regras da FCC. A operação está sujeita às seguintes duas condições: (1) Esse dispositivo não pode causar interferência nociva e (2) esse dispositivo deve aceitar qualquer tipo de interferência recebida, inclusive interferências que possam causar funcionamento indesejado.

Declaração de conformidade com a Parte 15 da FCC – versão completa

Os testes determinam que esse equipamento está em conformidade com os limites estabelecidos para dispositivos digitais de Classe B, conforme a Parte 15 das Regras da FCC. Os limites têm a finalidade de proporcionar proteção razoável contra interferência nociva em instalações residenciais. Esse equipamento gera, usa e pode emitir radiofrequência. Por isso, caso não seja instalado conforme as instruções, pode causar interferência nociva às comunicações por rádio. No entanto, não há garantia de que a instalação não causará interferências.

Para verificar se há interferência nociva à recepção de rádio e televisão, desligue e religue o equipamento. Em caso de interferência, recomendamos que o usuário adote uma ou mais das seguintes medidas para tentar solucionar o problema:

- Redirecionar ou reposicionar a antena receptora.
- Aumentar a distância entre o equipamento e o receptor.
- Conectar o equipamento e o receptor a tomadas de circuitos diferentes.
- Consultar o dealer ou um técnico de rádio/TV para obter ajuda.
- Alterações ou modificações sem aprovação expressa da parte responsável pela conformidade podem resultar na proibição de operação do equipamento por parte do usuário.

Exposição à RF

Esse equipamento está em conformidade com os limites de exposição à radiação da FCC e do ISED definidos para ambientes não controlados. Esse equipamento deve ser instalado e operado a uma distância mínima de 20 centímetros do seu corpo. Esse dispositivo e sua(s) antena(s) não devem ocupar o mesmo espaço nem operar com outra antena ou outro transmissor. Entre em contato com intsupport@alarm.com para obter mais informações sobre a conformidade com a norma canadense de exposição à RF.

ID na FCC

ID na FCC: YL6-143V730

Declarações de conformidade com o ISED

Condição

Esse dispositivo contém transmissores/receptores isentos de licença que estão em conformidade com RSSs isentos de licença do órgão de Inovação, Ciência e Desenvolvimento Econômico do Canadá. A operação está sujeita a estas duas condições:

1. Esse dispositivo não pode causar interferência.
2. Esse dispositivo deve aceitar qualquer tipo de interferência, inclusive interferências que possam causar funcionamento indesejado do dispositivo.

Cet appareil contient des émetteurs/récepteurs sans licence qui sont conformes aux RSS sans licence d'Innovation, Sciences et Développement économique Canada. L'exploitation est soumise aux deux conditions suivantes :

1. Cet appareil ne doit pas provoquer d'interférences.
2. Cet appareil doit accepter toute interférence, y compris les interférences susceptibles de provoquer un fonctionnement indésirable de l'appareil.

Exposição à RF

Cet appareil est conforme aux limites d'exposition aux radiofréquences établies par la FCC et l'ISED pour un environnement non contrôlé. Cet appareil doit être installé et utilisé à une distance minimale de 20 centimètres entre l'appareil et votre corps. Cet appareil et son ou ses antennes ne doivent pas être situés ou fonctionner en conjonction avec une autre antenne ou un autre émetteur. Veuillez communiquer avec intsupport@alarm.com pour obtenir plus d'information sur la conformité aux exigences canadiennes en matière d'exposition aux radiofréquences.

ID IC

ID: 9111A-143V730

Declaração de conformidade com a União Europeia

Por este documento, a Alarm.com Incorporated declara que o equipamento ADC-V730 está em conformidade com a Diretiva 2014/30/UE. O texto na íntegra da declaração de conformidade com a determinação da União Europeia está disponível no seguinte endereço da internet:

<https://www.alarm.com/about/international/eu-red>