

# Model 7000SXT

---

## *Service Manual*

---



**IMPORTANT: Fill in Pertinent Information on Page 3 for Future Reference**

---

# Table of Contents

---

Job Specification Sheet .....	3
Installation Instructions .....	4
Start-Up Instructions .....	5
Timer Features .....	6
Timer Operation .....	8
Master Programming Mode Chart .....	10
Master Programming Mode .....	12
User Programming Mode .....	18
Diagnostic Programming Mode .....	20
Powerhead Assembly .....	22
Valve Assembly .....	24
Bypass Assembly .....	26
2310 Safety Brine Valve .....	27
Troubleshooting .....	28
Removing Gear Box Assembly .....	32
Inserting Circuit Board .....	33
Connecting the Circuit Board .....	34
Water Conditioner Flow Diagrams .....	35
Injector Flow Data .....	38
Meter Flow Data .....	39
Dimensions .....	40



**IMPORTANT PLEASE READ:**

- The information, specifications and illustrations in this manual are based on the latest information available at the time of printing. The manufacturer reserves the right to make changes at any time without notice.
- This manual is intended as a guide for service of the valve only. System installation requires information from a number of suppliers not known at the time of manufacture. This product should be installed by a plumbing professional.
- This unit is designed to be installed on potable water systems only.
- This product must be installed in compliance with all state and municipal plumbing and electrical codes. Permits may be required at the time of installation.
- It is established that when daytime water pressure is above 80 psi (5.5 bar), the maximum pressure rating of 125 psi (8.6 bar) can be exceeded. A pressure regulator must be installed on this system or warranty is voided.
- Do not install the unit where temperatures may drop below 32°F (0°C) or above 110°F (43°C).
- Do not place the unit in direct sunlight. Black units will absorb radiant heat increasing internal temperatures.
- Do not strike the valve or any of the components.
- Warranty of this product extends to manufacturing defects. Misapplication of this product may result in failure to properly condition water, or damage to product.
- A prefilter should be used on installations in which free solids are present.
- In some applications local municipalities treat water with Chloramines. High Chloramine levels may damage valve components.
- Correct and constant voltage must be supplied to the control valve to maintain proper function.

---

# Job Specification Sheet

---

Job Number: \_\_\_\_\_

Model Number: \_\_\_\_\_

Water Hardness: \_\_\_\_\_ ppm or gpg

Capacity Per Unit: \_\_\_\_\_

Mineral Tank Size: \_\_\_\_\_ Diameter: \_\_\_\_\_ Height: \_\_\_\_\_

Salt Setting per Regeneration: \_\_\_\_\_

**1. Type of Timer:**

- A. 7 Day or 12 Day      B. Meter Initiated

**2. Downflow      Upflow      Upflow Variable**

**3. Meter Size:**

- A. 3/4" Std Range (125 - 2,100 gallon setting)  
B. 3/4" Ext Range (625 - 10,625 gallon setting)  
C. 1" Std Range (310 - 5,270 gallon setting)  
D. 1" Ext Range (1,150 - 26,350 gallon setting)  
E. 1 1/2" Std Range (625 - 10,625 gallon setting)  
F. 1 1/2" Ext Range (3,125 - 53,125 gallon setting)  
G. 2" Std Range (1,250 - 21,250 gallon setting)  
H. 2" Ext Range (6,250 - 106,250 gallon setting)  
I. 3" Std Range (3,750 - 63,750 gallon setting)  
J. 3" Ext Range (18,750 - 318,750 gallon setting)  
K. Electronic \_\_\_\_\_ Pulse Count \_\_\_\_\_ Meter Size

**4. System Type:**

- A. System #4: 1 Tank, 1 Meter, Immediate, or Delayed Regeneration  
B. System #4: Time Clock  
C. System #4: Twin Tank  
D. System #5: 2-5 Tanks, 2 Meters, Interlock  
E. System #6: 2-5 Tanks, 1 Meter, Series Regeneration  
F. System #7: 2-5 Tanks, 1 Meter, Alternating  
G. System #9: Electronic Only, 2-4 Tanks, Meter per Valve, Alternating  
H. System #14: Electronic Only, 2-4 Tanks, Meter per Valve. Brings units on and offline based on flow.

**5. Timer Program Settings:**

- A. Backwash: \_\_\_\_\_ Minutes  
B. Brine and Slow Rinse: \_\_\_\_\_ Minutes  
C. Rapid Rinse: \_\_\_\_\_ Minutes  
D. Brine Tank Refill: \_\_\_\_\_ Minutes  
E. Pause Time: \_\_\_\_\_ Minutes  
F. Second Backwash: \_\_\_\_\_ Minutes

**6. Drain Line Flow Control:** \_\_\_\_\_ gpm

**7. Brine Line Flow Controller:** \_\_\_\_\_ gpm

**8. Injector Size#:** \_\_\_\_\_

**9. Piston Type:**

- A. Hard Water Bypass  
B. No Hard Water Bypass

---

# Installation Instructions

---

**WATER PRESSURE:** A minimum of 20 psi (1.3 bar) of water pressure is required for regeneration valve to operate effectively.

**ELECTRICAL FACILITIES:** An uninterrupted alternating current (A/C) supply is required. Note: Other voltages are available. Please make sure your voltage supply is compatible with your unit before installation.

**EXISTING PLUMBING:** Condition of existing plumbing should be free from lime and iron buildup. Piping that is built up heavily with lime and/or iron should be replaced. If piping is clogged with iron, a separate iron filter unit should be installed ahead of the water softener.

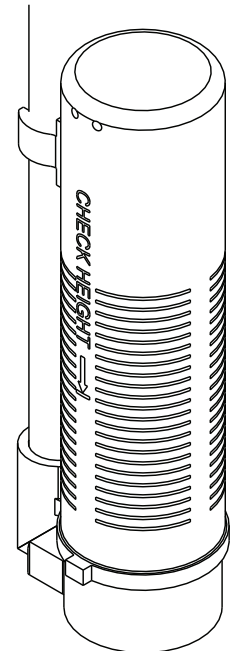
**LOCATION OF SOFTENER AND DRAIN:** The softener should be located close to a drain to prevent air breaks and back flow.

**BY-PASS VALVES:** Always provide for the installation of a by-pass valve if unit is not equipped with one.

**CAUTION:** Water pressure is not to exceed 125 psi (8.6 bar), water temperature is not to exceed 110°F (43.3°C), and the unit cannot be subjected to freezing conditions.

## Installation Instructions

1. Place the softener tank where you want to install the unit making sure the unit is level and on a firm base.
2. During cold weather, the installer should warm the valve to room temperature before operating.
3. All plumbing should be done in accordance with local plumbing codes. The pipe size for residential drain line should be a minimum of 1/2" (12.7 mm). Backwash flow rates in excess of 7 gpm (26.4Lpm) or length in excess of 20' (6 M) require 3/4" (99 mm) drain line. Commercial drain lines should be the same size as the drain line flow control.
4. Refer to the dimensional drawing for cutting height of the distributor tube. If there is no dimensional drawing, cut the distributor tube flush with the top of the tank.
5. Lubricate the distributor O-ring seal and tank O-ring seal. Place the main control valve on tank.  
Note: Only use silicone lubricant.
6. Solder joints near the drain must be done prior to connecting the Drain Line Flow Control fitting (DLFC). Leave at least 6" (15.2 cm) between the DLFC and solder joints when soldering pipes that are connected on the DLFC. Failure to do this could cause interior damage to the DLFC.
7. Teflon tape is the only sealant to be used on the drain fitting. The drain from twin tank units may be run through a common line.
8. Make sure that the floor is clean beneath the salt storage tank and that it is level.
9. Place approximately 1" (2.54 cm) of water above the grid plate. If a grid is not utilized, fill to the top of the air check in the salt tank. Do not add salt to the brine tank at this time.
10. On units with a by-pass, place in by-pass position. Turn on the main water supply. Open a cold soft water tap nearby and let run a few minutes or until the system is free from foreign material (usually solder) that may have resulted from the installation. Once clean, close the water tap.
11. Slowly place the by-pass in service position and let water flow into the mineral tank. When water flow stops, slowly open a cold water tap nearby and let run until the air is purged from the unit.
12. Plug unit into an electrical outlet. Note: All electrical connections must be connected according to local codes. (Be certain the outlet is uninterrupted).



**NOTE: Residential Air Check Valve Pictured Above**

	<p><b>CAUTION</b></p> <ul style="list-style-type: none"><li>• Do not exceed 125 psi water pressure</li><li>• Do not exceed 110°F (43°C) water temperature</li><li>• Do not subject unit to freezing conditions</li></ul>
--	--

	<p><b>WARNING</b></p> <p>The system <b>MUST</b> be depressurized before removing any connections for servicing.</p>
--	---

---

## ***Start-Up Instructions***

---

The water softener should be installed with the inlet, outlet, and drain connections made in accordance with the manufacturer's recommendations, and to meet applicable plumbing codes.

**NOTE:** The valve control may need to reset to the home position when it is powered up. If it does, the motor will run and the display will read "UD SYNC" to show that it is synchronizing the upper drive. When this is complete, the motor will stop and the display will show the time of day.

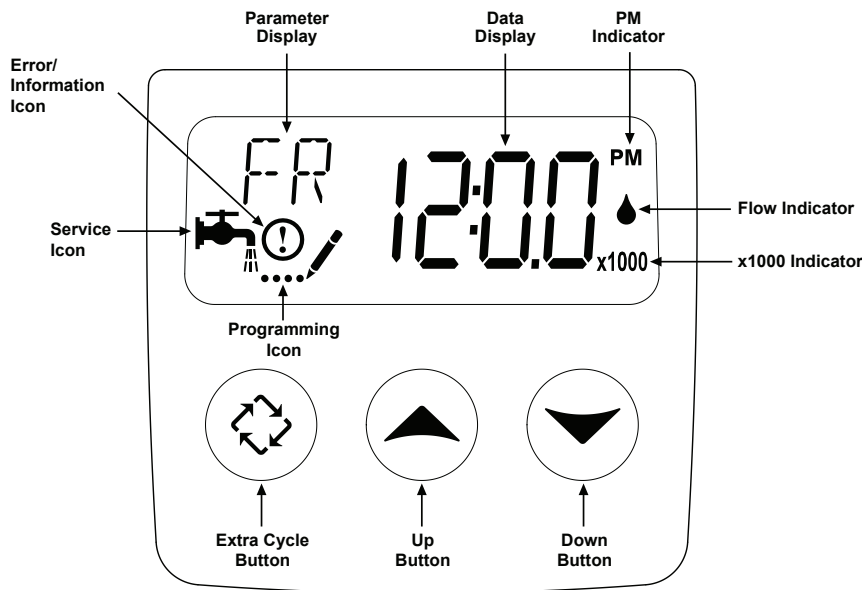
1. Press the extra cycle button and hold it for five seconds to trigger a manual regeneration and advance the valve to the first regeneration position. Pressing the extra cycle button while the unit is in a regeneration cycle will cause the valve to advance to the next position.
2. Position the valve to backwash. Ensure the drain line flow remains steady for 10 minutes or until the water runs clear (see above).
3. Position the valve to the brine / slow rinse position. Ensure the unit is drawing water from the brine tank (this step may need to be repeated).
4. Position the valve to the rapid rinse position. Check the drain line flow, and run for 5 minutes or until the water runs clear.
5. Position the valve to the start of the brine tank fill cycle. Ensure water goes into the brine tank at the desired rate. The brine valve drive cam will hold the valve in this position to fill the brine tank for the first regeneration.
6. Replace control box cover.
7. Put salt in the brine tank.

**NOTE: Do not use granulated or rock salt.**

---

# Timer Features

---

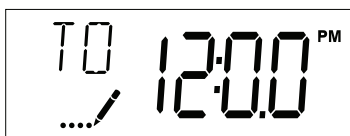


## Features of the SXT:

- Power backup that continues to keep time and the passage of days for a minimum of 48 hours in the event of power failure. During a power outage, the control goes into a power-saving mode. It does not monitor water usage during a power failure, but it does store the volume remaining at the time of power failure.
- Settings for both valve (basic system) and control type (method used to trigger a regeneration).
- Day-of-the-Week controls.
- While in service, the display alternates between time of day, volume remaining or days to regeneration, and tank in service (twin tank systems only).
- The Flow Indicator flashes when outlet flow is detected.
- The Service Icon flashes if a regeneration cycle has been queued.
- A regeneration can be triggered immediately by pressing the Extra Cycle button for five seconds. During regeneration, the user can force the control to advance to the next cycle step immediately by pressing the Extra Cycle button.
- The Parameter display shows the **current** Cycle Step (BW, BF, RR, etc) during regeneration, and the Data display counts down the time remaining for that cycle step. While the valve is transferring to a new cycle step, the display will flash.
- The Parameter display will identify the **destination** cycle step (BW, BF, RR, etc) and the Data display will read "----". Once the valve reaches the cycle step, the display will stop flashing and the Data display will change to the time remaining.

## Setting the Time of Day

1. Press and hold either the Up or Down buttons until the programming icon replaces the service icon and the parameter display reads TD.
2. Adjust the displayed time with the Up and Down buttons.
3. When the desired time is set, press the Extra Cycle button to resume normal operation. The unit will also return to normal operation after 5 seconds if no buttons are pressed.



### **Queueing a Regeneration**

1. Press the Extra Cycle button. The service icon will flash to indicate that a regeneration is queued.
2. To cancel a queued regeneration, press the Extra Cycle button.

### **Regenerating Immediately**

Press and hold the Extra Cycle button for five seconds.

---

# Timer Operation

---

## **Meter Immediate Control**

A Meter Immediate Control measures water usage and regenerates the system as soon as the calculated system capacity is depleted. The control calculates the system capacity by dividing the unit capacity (typically expressed in grains/unit volume) by the feedwater hardness and subtracting the reserve. Meter Immediate systems generally do not use a reserve volume. However, in twin tank systems with soft-water regeneration, the reserve capacity should be set to the volume of water used during regeneration to prevent hard water break-through. A Meter Immediate control will also start a regeneration cycle at the programmed regeneration time if a number of days equal to the regeneration day override pass before water usage depletes the calculated system capacity.

## **Meter Delayed Control**

A Meter Delayed Control measures water usage and regenerates the system at the programmed regeneration time after the calculated system capacity is depleted. As with Meter Immediate systems, the control calculates the system capacity by dividing the unit capacity by the feedwater hardness and subtracting the reserve. The reserve should be set to insure that the system delivers treated water between the time the system capacity is depleted and the actual regeneration time. A Meter Delayed control will also start a regeneration cycle at the programmed regeneration time if a number of days equal to the regeneration day override pass before water usage depletes the calculated system capacity.

## **Time Clock Delayed Control**

A Time Clock Delayed Control regenerates the system on a timed interval. The control will initiate a regeneration cycle at the programmed regeneration time when the number of days since the last regeneration equals the regeneration day override value.

## **Day of the Week Control**

This control regenerates the system on a weekly schedule. The schedule is defined in Master Programming by setting each day to either "off" or "on." The control will initiate a regeneration cycle on days that have been set to "on" at the specified regeneration time.

## **Control Operation During Regeneration**

During regeneration, the control displays a special regeneration display. In this display, the control shows the current regeneration step number the valve is advancing to, or has reached, and the time remaining in that step. The step number that displays flashes until the valve completes driving to this regeneration step position. Once all regeneration steps are complete the valve returns to service and resumes normal operation.

Pressing the Extra Cycle button during a regeneration cycle immediately advances the valve to the next cycle step position and resumes normal step timing.

## **Control Operation During Programming**

The control only enters the Program Mode with the valve in service. While in the Program Mode, the control continues to operate normally monitoring water usage and keeping all displays up to date. Control programming is stored in memory permanently, eliminating the need for battery backup power.



### Manually Initiating a Regeneration

1. When timer is in service, press the Extra Cycle button for 5 seconds on the main screen.
2. The timer advances to Regeneration Cycle Step #1 (backwash), and begins programmed time count down.
3. Press the Extra Cycle button once to advance valve to Regeneration Cycle Step #2 (brine draw & slow rinse).
4. Press the Extra Cycle button once to advance valve to Regeneration Cycle Step #3 (backwash).
5. Press the Extra Cycle button once to advance valve to Regeneration Cycle Step #4 (rapid rinse).
6. Press the Extra Cycle button once to advance valve to Regeneration Cycle Step #5 (brine refill).
7. Press the Extra Cycle button once more to advance the valve back to in service.

**NOTE:** If the unit is a filter or upflow, the cycle step order may change.

**NOTE:** A queued regeneration can be initiated by pressing the Extra Cycle button. To clear a queued regeneration, press the Extra Cycle button again to cancel. If regeneration occurs for any reason prior to the delayed regeneration time, the manual regeneration request will be cleared.

### Control Operation During A Power Failure

The SXT includes integral power backup. In the event of power failure, the control shifts into a power-saving mode. The control stops monitoring water usage, and the display and motor shut down, but it continues to keep track of the time and day for a minimum of 48 hours.

The system configuration settings are stored in a non-volatile memory and are stored indefinitely with or without line power. The Time of Day flashes when there has been a power failure. Press any button to stop the Time of Day from flashing.

If power fails while the unit is in regeneration, the control will save the current valve position before it shuts down. When power is restored, the control will resume the regeneration cycle from the point where power failed. Note that if power fails during a regeneration cycle, the valve will remain in it's current position until power is restored. The valve system should include all required safety components to prevent overflows resulting from a power failure during regeneration.

The control will not start a new regeneration cycle without line power. If the valve misses a scheduled regeneration due to a power failure, it will queue a regeneration. Once power is restored, the control will initiate a regeneration cycle the next time that the Time of Day equals the programmed regeneration time. Typically, this means that the valve will regenerate one day after it was originally scheduled. If the treated water output is important and power interruptions are expected, the system should be setup with a sufficient reserve capacity to compensate for regeneration delays.

# Master Programming Mode Chart

Master Programming Options			
Abbreviation	Parameter	Option Abbreviation	Options
DF	Display Format	Gal	Gallons
		Ltr	Liters
		Cu	Cubic Meters
VT	Valve Type	St2b	Softener Double Backwash
		Filtr	Filter
		dff	Downflow Fill First. Fixed/Variable
		AIO	Air Injected Oxidizer
CT	Control Type	Fd	Meter Delayed
		FI	Meter Immediate
		tc	Time Clock
		day	Day of Week, Time Clock
		fdbr	Meter Delayed Variable Fill
C	Unit Capacity		Capacity in Grains
H	Hardness		Grains of Hardness
RS	Reserve Selection		SF
			rc
			cr
SF	Safety Factor		% Percentage off of gallon remaining capacity
RC	Fixed Reserve Capacity		Fixed Gallon Amount
CR	Variable Reserve		Refill amount based on grain capacity and remaining gallons in reserve when unit regenerates
DO	Day Override		Day Override Setting
RT	Regen Time		Time of regeneration for day override or delayed control types.
BW, BD, BW, RR, RF	Regen Cycle Step Times		Setting time of regeneration cycle steps
CD	Current Day		Setting the day of the week you want regeneration to occur. Only shown with day of week setting in control type
FM	Flow Meter Size		t1.2
			Generic
K	Meter Pulse Setting Generic		Pulses per gallon setting for generic meters

**NOTES:**

Some items may not be shown depending on timer configuration.

The timer will discard any changes and exit Master Programming Mode if any button is not pressed for sixty seconds.

**CAUTION: Before entering Master Programming, please contact your local professional water dealer.**



---

# Master Programming Mode

---

When the Master Programming Mode is entered, all available option setting displays may be viewed and set as needed. Depending on current option settings, some parameters cannot be viewed or set.

## Setting the Time of Day

1. Press and hold either the Up or Down buttons until the programming icon replaces the service icon and the parameter display reads TD.
2. Adjust the displayed time with the Up and Down buttons.
3. When the desired time is set, press the Extra Cycle button to resume normal operation. The unit will also return to normal operation after 5 seconds if no buttons are pressed.



## Entering Master Programming Mode

Set the Time Of Day display to **12:01 P.M.** Press the Extra Cycle button (to exit Setting Time of Day mode). Then press and hold the Up and Down buttons together until the programming icon replaces the service icon and the Display Format screen appears.

## Exiting Master Programming Mode

Press the Extra Cycle button to accept the displayed settings and cycle to the next parameter. Press the Extra Cycle button at the last parameter to save all settings and return to normal operation. The control will automatically disregard any programming changes and return to normal operation if it is left in Master Programming mode for 5 minutes without any keypad input.

## Resets:

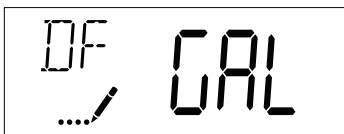
**Soft Reset:** Press and hold the Extra Cycle and Down buttons for 25 seconds while in normal Service mode. This resets all parameters to the system default values, except the volume remaining in meter immediate or meter delayed systems and days since regeneration in the time clock system.

**Master Reset:** Hold the Extra Cycle button while powering up the unit. This resets all of the parameters in the unit. Check and verify the choices selected in Master Programming Mode.

### 1. Display Format (Display Code DF)

This is the first screen that appears when entering Master Programming Mode. The Display Format setting specifies the unit of measure that will be used for volume and how the control will display the Time of Day. This option setting is identified by "DF" in the upper left hand corner of the screen. There are three possible settings:

Display Format Setting	Unit of Volume	Time Display
GAL	U.S. Gallons	12-Hour AM/PM
Ltr	Liters	24-Hour
Cu	Cubic Meters	24-Hour



**CAUTION:** Before entering Master Programming, please contact your local professional water dealer.

---

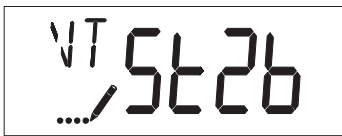
# Master Programming Mode

---

## 2. Valve Type (Display Code VT)

Press the Extra Cycle button. Use this display to set the Valve Type. The Valve Type setting specifies the type of cycle that the valve follows during regeneration. Note that some valve types require that the valve be built with specific subcomponents. Ensure the valve is configured properly before changing the Valve Type setting. This option setting is identified by “VT” in the upper left hand corner of the screen. There are 6 possible settings:

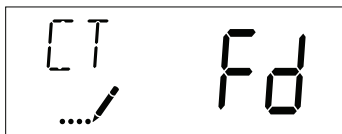
Abbreviation	Parameter
St2b	Standard Downflow/Upflow, Double Backwash (7000 Default)
Fltr	Filter (7000 Default)
dFFF	Down Flow Fill First
AIO	Air Injected Oxidizer (AIO)



## 3. Control Type (Display Code CT)

Press the Extra Cycle button. Use this display to set the Control Type. This specifies how the control determines when to trigger a regeneration. For details on how the various options function, refer to the “Timer Operation” section of this service manual. This option setting is identified by “CT” in the upper left hand corner of the screen. There are four possible settings:

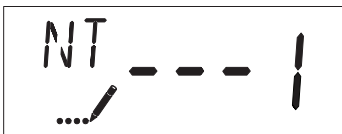
Meter Delayed: Fd  
Meter Immediate: FI  
Time Clock: tc  
Day of Week: dAY  
Variable Reserve: fdbr



## 4. Number of Tanks (Display Code NT)

Press the Extra Cycle button. Use this display to set the Number of Tanks in your system. This option setting is identified by “NT” in the upper left hand corner of the screen. There are two possible settings:

Single Tank System: 1



---

**CAUTION: Before entering Master Programming, please contact your local professional water dealer.**

---

---

# Master Programming Mode

---

## 5. Unit Capacity (Display Code C)

Press the Extra Cycle button. Use this display to set the Unit Capacity. This setting specifies the treatment capacity of the system media. Enter the capacity of the media bed in grains of hardness when configuring a softener system, and in the desired volume capacity when configuring a filter system. This option setting is identified by “C” in the upper left hand corner of the screen. The Unit Capacity parameter is only available if the control type has been set to one of the metered options. Use the Up and Down buttons to adjust the value as needed.



**Range: 1-999,900 grain capacity**

## 6. Feedwater Hardness (Display Code H)

Press the Extra Cycle button. Use this display to set the Feedwater Hardness. Enter the feedwater hardness in grains per unit volume for softener systems, or 1 for filter systems. This option setting is identified by “H” in the upper left hand corner of the screen. The feedwater hardness parameter is only available if the control type has been set to one of the metered options. Use the Up and Down buttons to adjust the value as needed.

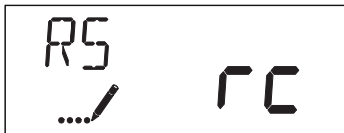


**Range: 4-199 hardness**

## 7. Reserve Selection (Display Code RS)

Press the Extra Cycle button. Use this display to set the Safety Factor. Use this display to select the type of reserve to be used in your system. This setting is identified by “RS” in the upper left-hand corner of the screen. The reserve selection parameter is only available if the control type has been set to one of the metered options. There are two possible settings.

SF	Safety Factor
rc	Fixed Reserve Capacity
cr	Variable Reserve



**CAUTION: Before entering Master Programming, please contact your local professional water dealer.**

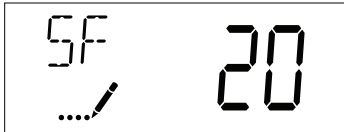
---

## Master Programming Mode

---

### 8. Safety Factor (Display Code SF)

Press the Extra Cycle button. Use this display to set the Safety Factor. This setting specifies what percentage of the system capacity will be held as a reserve. Since this value is expressed as a percentage, any change to the unit capacity or feedwater hardness that changes the calculated system capacity will result in a corresponding change to the reserve volume. This option setting is identified by "SF" in the upper left hand corner of the screen. Use the Up and Down buttons to adjust the value from 0 to 50% as needed.



**Range: 0-50%**

### 9. Fixed Reserve Capacity (Display Code RC)

Press the Extra Cycle button. Use this display to set the Reserve Capacity. This setting specifies a fixed volume that will be held as a reserve. The reserve capacity cannot be set to a value greater than one-half of the calculated system capacity. The reserve capacity is a fixed volume and does not change if the unit capacity or feedwater hardness are changed. This option setting is identified by "RC" in the upper left-hand corner of the screen. Use the Up and Down buttons to adjust the value as needed.



**Range: 0-half the calculated capacity**

### 10. Variable Reserve (Display Code CR)

Press the Extra Cycle button. This setting is for a variable reserve. Variable reserve refills the brine tank based on gallon volume remaining when the unit starts regeneration.



---

**CAUTION: Before entering Master Programming, please contact your local professional water dealer.**

---

---

# Master Programming Mode

---

## 11. Day Override (Display Code DO)

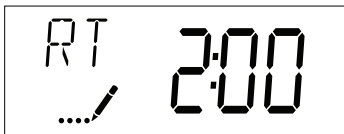
Press the Extra Cycle button. Use this display to set the Day Override. This setting specifies the maximum number of days between regeneration cycles. If the system is set to a timer-type control, the day override setting determines how often the system will regenerate. A metered system will regenerate regardless of usage if the days since last regeneration cycle equal the day override setting. Setting the day override value to “OFF” disables this function. This option setting is identified by “DO” in the upper left hand corner of the screen. Use the Up and Down buttons to adjust the value as needed.



Range: Off-99 days

## 12. Regeneration Time

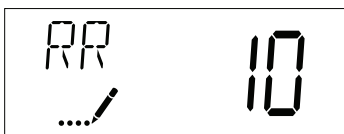
Press the Extra Cycle button. Use this display to set the Regeneration Time. This setting specifies the time of day the control will initiate a delayed, manually queued, or day override triggered regeneration. This option setting is identified by “RT” in the upper left hand corner of the screen. Use the Up and Down buttons to adjust the value as needed.



## 13. Regeneration Cycle Step Times

Press the Extra Cycle button. Use this display to set the Regeneration Cycle Step Times. The different regeneration cycles are listed in sequence based on the valve type selected for the system, and are identified by an abbreviation in the upper left-hand corner of the screen. The abbreviations used are listed below. If the system has been configured with the “OTHER” valve type, the regeneration cycles will be identified as R1, R2, R3, R4, R5, and R6. Each cycle step time can be set from 0 to 199 minutes, or “OFF.” Setting a cycle step to “OFF” will disable all of the following steps. Setting a cycle step time to 0 will cause the control to skip that step during regeneration, but keeps the following steps available. Use the Up and Down buttons to adjust the value as needed. Press the Extra Cycle button to accept the current setting and move to the next parameter.

Cycle Step	Abbreviation
BW	Backwash
BD	Brine Draw
BW	Backwash
RR	Rapid Rinse
BF	Brine Fill
SV	Service



Range: 0-199 minutes

**CAUTION:** Before entering Master Programming, please contact your local professional water dealer.



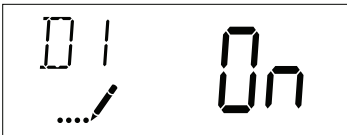
---

# Master Programming Mode

---

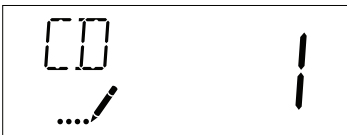
## 14. Day of Week Settings

Press the Extra Cycle button. Use this display to set the regeneration schedule for a system configured as a Day of Week control. The different days of the week are identified as D1, D2, D3, D4, D5, D6, and D7 in the upper left-hand corner of the display. Set the value to "ON" to schedule a regeneration or "OFF" to skip regeneration for each day. Use the Up and Down buttons to adjust the setting as needed. Press the Extra Cycle button to accept the setting and move to the next day. Note that the control requires at least one day to be set to "ON." If all 7 days are set to "OFF", the unit will return to Day One until one or more days are set to "ON."



## 15. Current Day (Display Code CD)

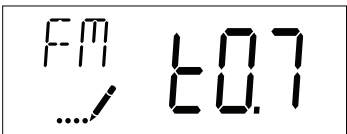
Press the Extra Cycle button. Use this display to set the current day on systems that have been configured as Day of Week controls. This setting is identified by "CD" in the upper left-hand corner of the screen. Use the Up and Down buttons to select from Day 1 through Day 7.



## 16. Flow Meter Type (Display Code FM)

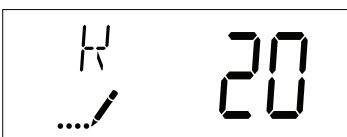
Press the Extra Cycle button. Use this display to set the type of flow meter connected to the control. This option setting is identified by "FM" in the upper left-hand corner of the screen. Use the Up and Down buttons to select one of the 7 available settings.

GEn	Generic/Other Meter
t1.2	7000 Meter



## 17. Meter Pulse Setting (Display Code K)

Press the Extra Cycle button. Use this display to specify the meter pulse setting for a non-standard flow meter. This option setting is identified by "K" in the upper left-hand corner of the screen. Use the Up and Down buttons to enter the meter constant in pulses per unit volume.



18. Press the Extra Cycle button to save all settings and exit Master Programming Mode.

**CAUTION: Before entering Master Programming, please contact your local professional water dealer.**

---

## User Programming Mode

---

User Programming Mode Options		
Abbreviation	Parameter	Description
DO	Day Override	The timer's day override setting
RT	Regeneration Time	The time of day that the system will regenerate (meter delayed, timeclock, and day-of-week systems)
H	Feed Water Hardness	The hardness of the inlet water - used to calculate system capacity for metered systems
RC	Reserve Capacity	The fixed reserve capacity
CD	Current Day	The current day of week

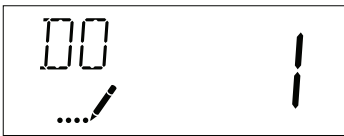
### NOTES:

Some items may not be shown depending on timer configuration.

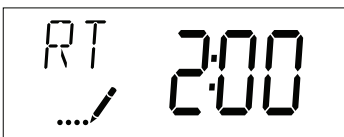
The timer will discard any changes and exit User Mode if any button is not pressed for sixty seconds.

### User Programming Mode Steps

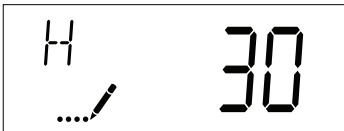
1. Press the Up and Down buttons for five seconds while in service, and the time of day is NOT set to 12:01 PM.
2. Use this display to adjust the Day Override. This option setting is identified by "DO" in the upper left hand corner of the screen.



3. Press the Extra Cycle button. Use this display to adjust the Regeneration Time. This option setting is identified by "RT" in the upper left hand corner of the screen.



4. Press the Extra Cycle button. Use this display to adjust the Feed Water Hardness. This option setting is identified by "H" in the upper left hand corner of the screen.



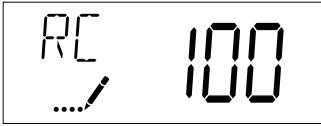
Range: 4-199 hardness

---

## User Programming Mode

---

5. Press the Extra Cycle button. Use this display to adjust the Fixed Reserve Capacity. This option setting is identified by "RC" in the upper left-hand Corner of the screen.



6. Press the Extra Cycle button. Use this display to set the Current Day of the Week. This option setting is identified by "CD" in the upper left hand corner of the screen.



7. Press the Extra Cycle button to end User Programming Mode.

---

## Diagnostic Programming Mode

---

Diagnostic Programming Mode Options		
Abbreviation	Parameter	Description
FR	Flow Rate	Displays the current outlet flow rate
PF	Peak Flow Rate	Displays the highest flow rate measured since the last regeneration
HR	Hours in Service	Displays the total hours that the unit has been in service
VU	Volume Used	Displays the total volume of water treated by the unit
RC	Reserve Capacity	Displays the system's reserve capacity calculated from the system capacity, feedwater hardness, and safety factor
SV	Software Version	Displays the software version installed on the controller

### NOTES:

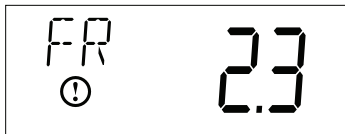
Some items may not be shown depending on timer configuration.

The timer will exit Diagnostic Mode after 60 seconds if no buttons are pressed.

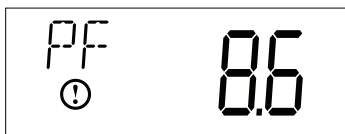
Press the Extra Cycle button to exit Diagnostic Mode at any time.

### Diagnostic Programming Mode Steps

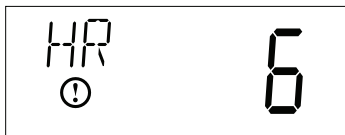
1. Press the Up and Extra Cycle buttons for five seconds while in service.
2. Use this display to view the current Flow Rate. This option setting is identified by "FR" in the upper left hand corner of the screen.



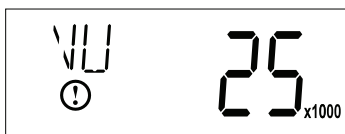
3. Press the Up button. Use this display to view the Peak Flow Rate since the last regeneration cycle. This option setting is identified by "PF" in the upper left hand corner of the screen.



4. Press the Up button. Use this display to view the Hours in Service since the last regeneration cycle. This option setting is identified by "HR" in the upper left hand corner of the screen.



5. Press the Up button. Use this display to view the Volume Used since the last regeneration cycle. This option setting is identified by "VU" in the upper left hand corner of the screen.



---

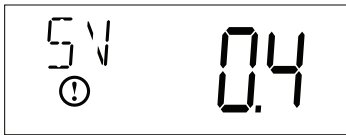
## ***Diagnostic Programming Mode***

---

6. Press the Up button. Use this display to view the Reserve Capacity. This option setting is identified by “RC” in the upper left hand corner of the screen.

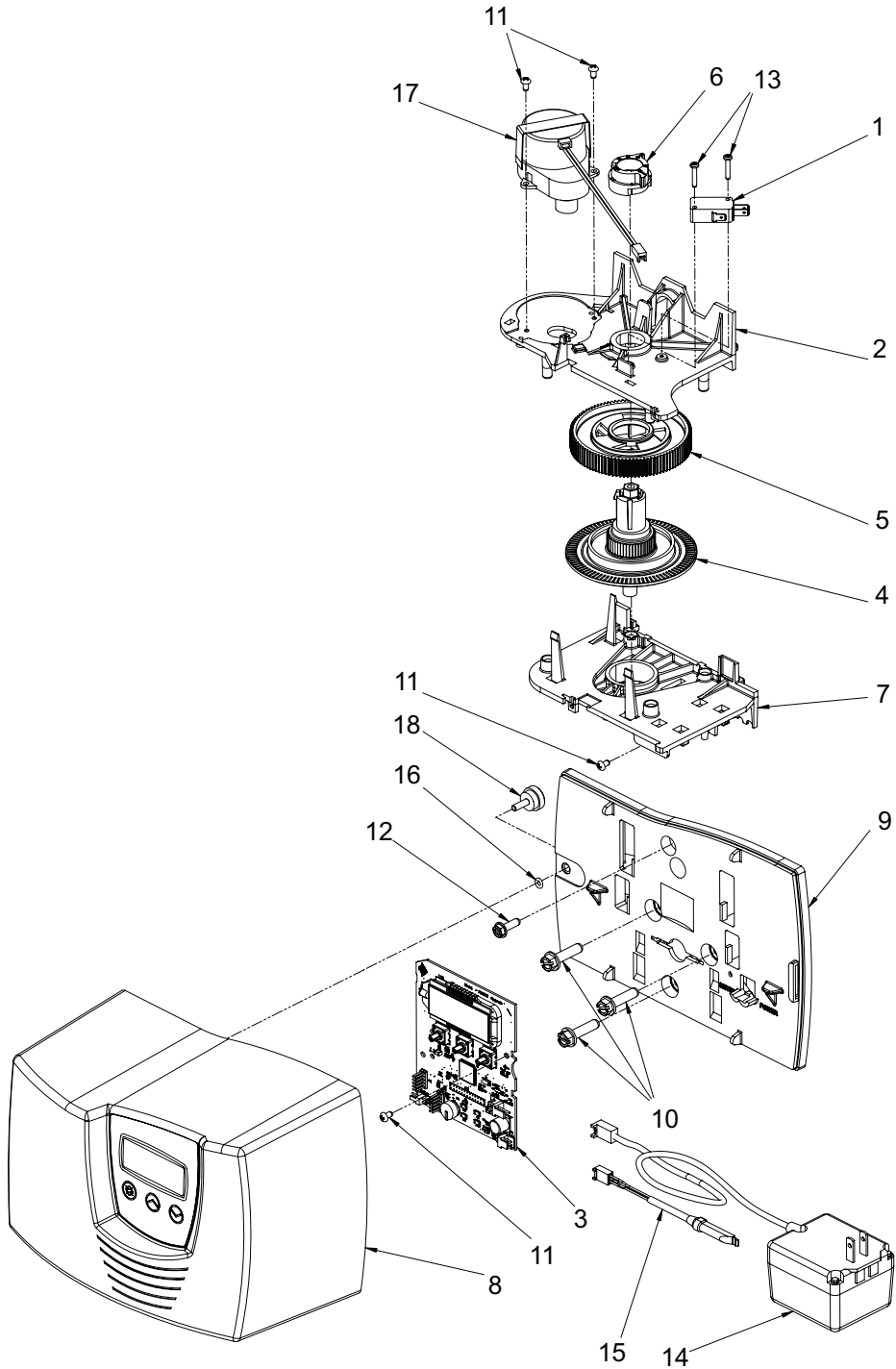


7. Press the Up button. Use this display to view the Software Version. This option setting is identified by “SV” in the upper left hand corner of the screen.



8. Press the Extra Cycle button to end Diagnostic Programming Mode.

# Powerhead Assembly



BR61501-7000SXT

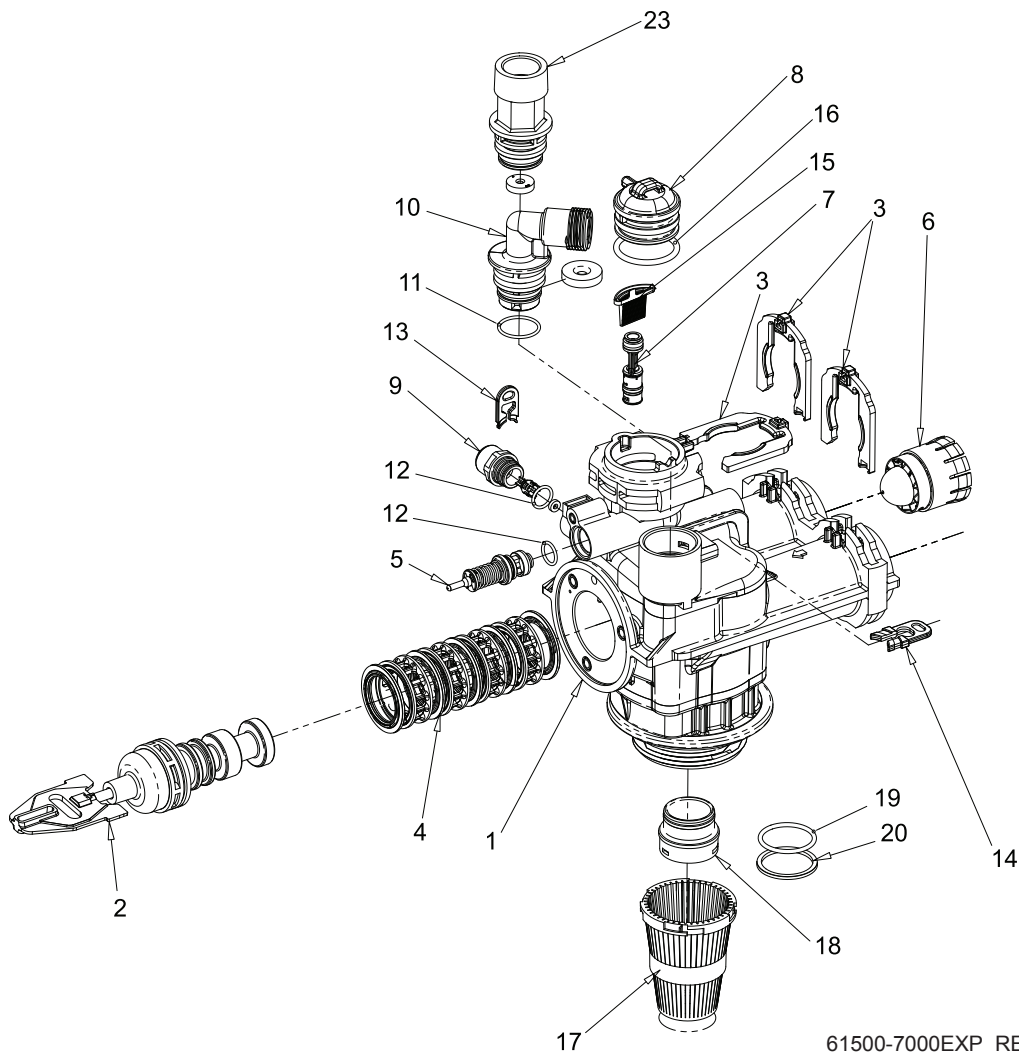
---

## Powerhead Assembly

---

Item No.	Quantity	Part No.	Description
1	1	10218	Switch, Micro (Optional)
2	1	40978	Support, Upper Bearing
3	1	61696	Circuit Board
4	1	40702	Shaft, Drive/Encoder
5	1	40703	Gear, Main Drive
6	1	40704	Cam, Brine, Downflow
7	1	40979	Plate, Lower Support
8	1	61693-01	Cover Assy, 7000 SXT gray
	1	61693-02	Cover Assy, 7000 SXT black
9	1	40980	Back Plate
10	3	40967	Screw, Slotted Hx Wshr Hd, 1/4-20 x 1 LG
11	5	13602	Screw, Phil Rd Hd, 6-32 x 5/16
12	1	12473	Screw, Hx Wshr Hd, #10-24 x .625
13	2	11805	Screw, Rd Hd, 4-40 x 5/8 Type 1
14	1	40981	Transformer, US 24V, 9.6 VA
14	1	41086	Transformer, European, 230/24V
15	2	19791-01	Meter Cable Assy, Turbine
16	1	41122	O-ring, -007
17	1	42349	Motor, 24V, 2 rpm, 7000
18	1	19367-01	Screw, Designer Cover, Thumb

# Valve Assembly



61500-7000EXP\_REVC

Item No.	Quantity	Part No.	Description
1.....	1.....	61050.....	Valve Body Assembly, 7000, 32 mm Dist
2.....	1.....	61452-10.....	Piston Assembly, 7000, Softener, D/F 35 gpm
		61453-10.....	Piston Assembly, 7000, Softener, D/F 28 gpm
		61452-20.....	Piston Assembly, 7000, Filter 35 gpm
3.....	3.....	40576.....	Clip, H, Plastic, 7000
4.....	1.....	61438.....	Seal & Spacer Kit, 7000, D/F
5.....	1.....	60016-01.....	Brine Valve Assembly, 7000, 560CD
6.....	1.....	40577.....	Turbine Meter Assembly, 7000
7.....		61454-000.....	Injector Assembly, 7000, #000 Injector - Brown
		61454-00.....	Injector Assembly, 7000, #00 Injector - Violet
		61454-0.....	Injector Assembly, 7000, #0 Injector - Red
		61454-1.....	Injector Assembly, 7000, #1 Injector - White
		61454-2.....	Injector Assembly, 7000, #2 Injector - Blue
		61454-3.....	Injector Assembly, 7000, #3 Injector - Yellow
		61454-4.....	Injector Assembly, 7000, #4 Injector - Green
		61454-5.....	Injector Assembly, 7000, #5 Injector - Gray



# Valve Assembly Parts List

Item No.	Quantity	Part No.	Description
8.....	1 .....	40556.....	Cap, Injector
9.....		61450-00 .....	BLFC 3/8", Blank
		61450-12 .....	BLFC 3/8", 0.125 gpm
		61450-25 .....	BLFC 3/8", 0.25 gpm
		61450-50 .....	BLFC 3/8", 0.50 gpm
		61450-100 .....	BLFC 3/8", 1.0 gpm
		61451-00 .....	BLFC 1/2", Blank
		61451-12 .....	BLFC 1/2", 0.125 gpm
		61451-25 .....	BLFC 1/2", 0.25 gpm
		61451-50 .....	BLFC 1/2", 0.50 gpm
		61451-100 .....	BLFC 1/2", 1.0 gpm
10.....		61455-00 .....	DLFC 3/4", Blank
		61455-17 .....	DLFC 3/4", 1.7 gpm
		61455-20 .....	DLFC 3/4", 2.0 gpm
		61455-24 .....	DLFC 3/4", 2.4 gpm
		61455-30 .....	DLFC 3/4", 3.0 gpm
		61455-35 .....	DLFC 3/4", 3.5 gpm
		61455-40 .....	DLFC 3/4", 4.0 gpm
		61455-45 .....	DLFC 3/4", 4.5 gpm
		61455-50 .....	DLFC 3/4", 5.0 gpm
		61455-60 .....	DLFC 3/4", 6.0 gpm
		61455-70 .....	DLFC 3/4", 7.0 gpm
		61456-00 .....	DLFC 1", Blank
		61456-8.0 .....	DLFC 1", 8.0 gpm
		61456-9.0 .....	DLFC 1", 9.0 gpm
		61456-10 .....	DLFC 1", 10.0 gpm
		61456-12 .....	DLFC 1", 12.0 gpm
		61456-15 .....	DLFC 1", 15.0 gpm
		61456-20 .....	DLFC 1", 20.0 gpm
		61456-25 .....	DLFC 1", 25.0 gpm
		61456-30 .....	DLFC 1", 30.0 gpm
11.....	1 .....	13303-01 .....	O-ring, -021, 560CD
12.....	2 .....	13302-01 .....	O-ring, -014, 560CD
13.....	1 .....	40946.....	Clip, Brine Retaining
14.....	1 .....	40945.....	Clip, Drain Retaining
15.....	1 .....	40950.....	Screen, Injector, 7000
16.....	1 .....	40951.....	O-ring, -220
17.....	1 .....	18280.....	Collector, Top, 1" x .011, Gray
18.....	1 .....	61419.....	Kit, 1.05" Distributor, Adapter
19.....	1 .....	19054.....	O-ring, -124
20.....	1 .....	40538.....	Retainer, 32 mm, O-ring Dist, 7000
23.....	1 .....	61XXX .....	DLFC Kits

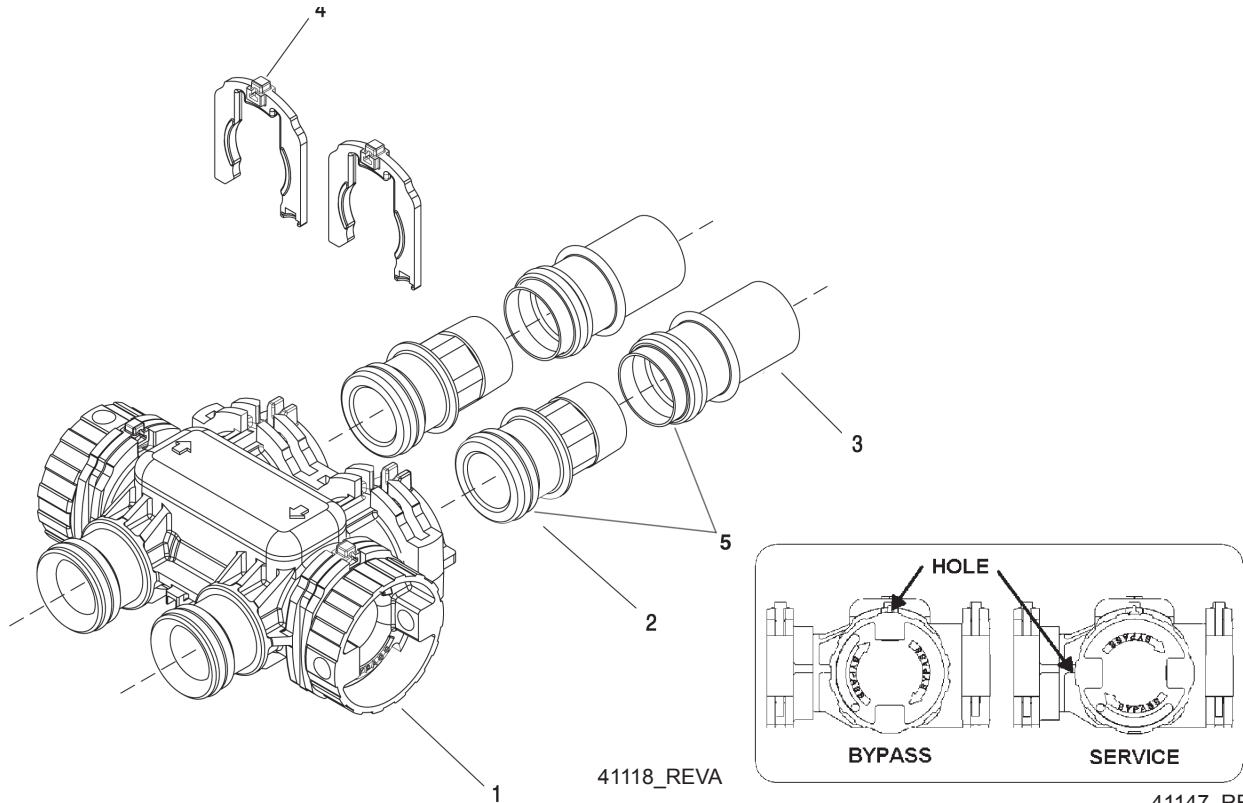
**Not Shown**

.....	18569.....	Retainer Tank Seal
.....	40677.....	Tube, Distributor, 32 mm
.....	40924.....	Distributor, 32 mm
.....	40697-02 .....	Collector, 32 mm Bayonet
.....	12763-10 .....	Stuffer Tool Assy, 7000
.....	18303.....	O-ring, -336, Top of Tank

**Filter Valves**

.....	40947-01 .....	Plug, Brine Valve, w/O-ring
.....	40990-01 .....	Plug, Injector, w/O-ring

# Bypass Assembly



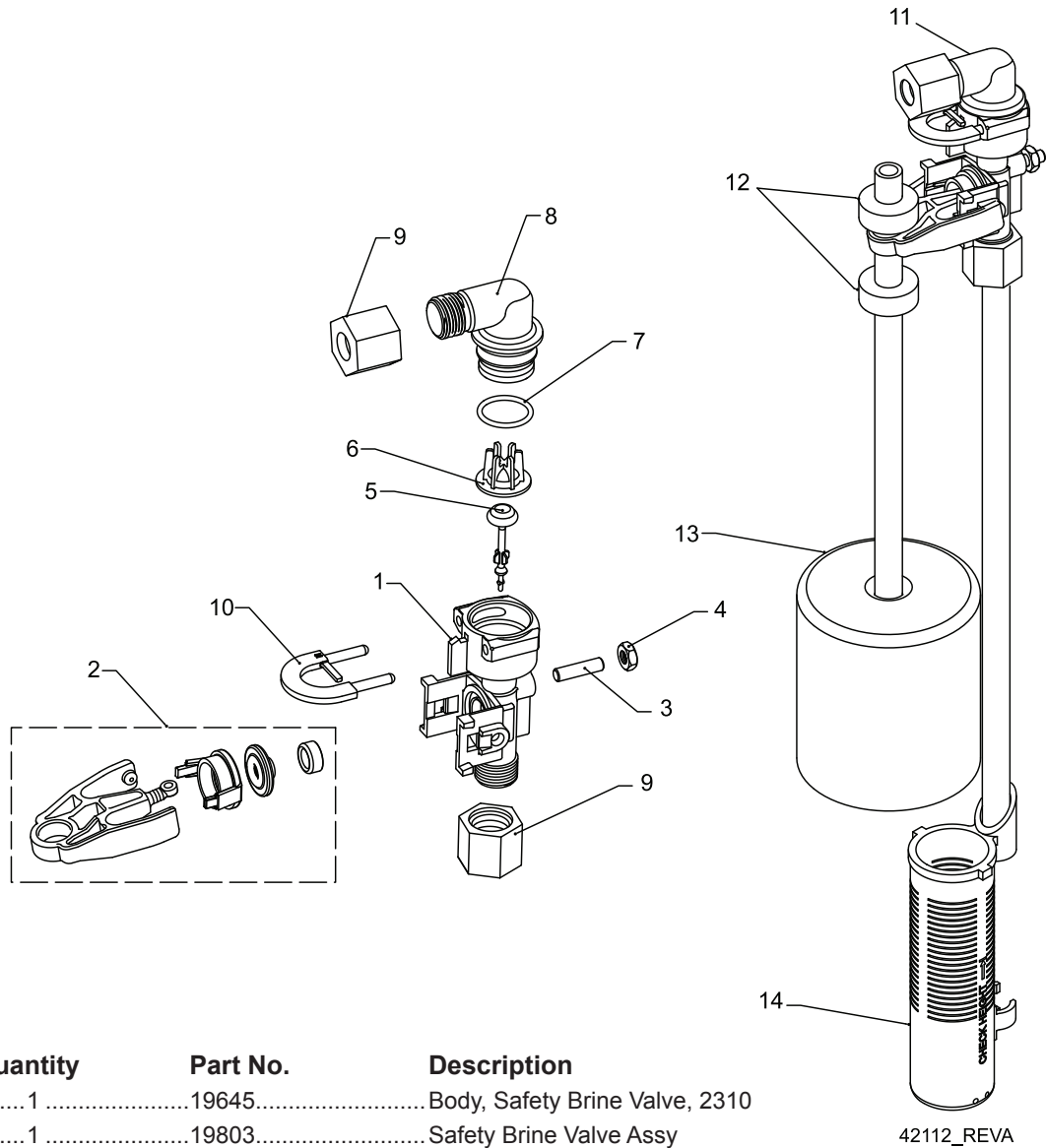
41118\_REVA

41147\_REVA

**!** **IMPORTANT**  
**To bypass the valve, turn bypass knob on both sides of the valve to bypass position.**  
**When returning to service, put the inlet into service before the outlet.**

Item No.	Quantity	Part No.	Description
1.....	1.....	40569.....	Bypass Assembly, 7000, Less Clip
2.....	2.....	42414-01.....	Connector Assembly, 3/4" NPT, 7000, Plastic
	2.....	42414-11.....	Connector Assembly, 3/4" BSP, 7000, Plastic
	2.....	61561.....	Connector Assembly, 1" NPT, 7000, Brass
	2.....	61561-10.....	Connector Assembly, 1" BSP, 7000, Brass
	2.....	40563-01.....	Connector Assembly, 1" NPT, 7000, Plastic
	2.....	40563-11.....	Connector Assembly, 1" BSP, 7000, Plastic
	2.....	40565-01.....	Connector Assembly, 1-1/4", NPT, 7000, Plastic
	2.....	40565-11.....	Connector Assembly, 1-1/4" BSP, 7000, Plastic
	2.....	61562.....	Connector Assembly, 1-1/2" NPT, 7000, Brass
	2.....	61562-10.....	Connector Assembly, 1-1/2" BSP, 7000, Brass
	2.....	42241-01.....	Connector Assembly, 1-1/2" NPT, 7000, Plastic
	2.....	42241-11.....	Connector Assembly, 1-1/2" BSP, 7000, Plastic
3.....	2.....	61626.....	Connector Assembly, 3/4" and 1" Sweat, 7000
	2.....	41242-01.....	Connector Assembly, 1" and 1-1/4", Sweat, 7000
	2.....	41243-01.....	Connector Assembly, 1-1/4" and 1-1/2", Sweat, 7000
4.....	2	40576.....	Clip, H, Plastic, 7000
5.....	1.....	40951.....	O-ring, -220
Not Shown.....	1.....	61462.....	By-Pass Service Kit, 7000 (Includes all internal parts for 7000 bypass assembly - bypass body not included)

# 2310 Safety Brine Valve



Item No.	Quantity	Part No.	Description
1.....	1	19645.....	Body, Safety Brine Valve, 2310
2.....	1	19803.....	Safety Brine Valve Assy
3.....	1	19804.....	Screw, Sckt Hd, Set, 10-24 x .75
4.....	1	19805.....	Nut, Hex, 10-24, Nylon Black
5.....	1	19652-01	Poppet Assy, SBV w/O-ring
6.....	1	19649.....	Flow Dispenser
7.....	1	11183.....	O-Ring, -.017
8.....	1	19647.....	Elbow, Safety Brine Valve
9.....	2	19625.....	Nut Assy, 3/8" Plastic
10.....	1	18312.....	Retainer, Drain
11.....	1	60014.....	Safety Brine Valve Assy, 2310
12.....	2	10150.....	Grommet, .30 Dia
13.....	1	60068-30	Float Assy, 2310, w/30" Rod
14.....	1	60002-34	Air Check, #500, 34" Long

**For Service Assembly Numbers, See the Back of this Manual**

# Troubleshooting

Problem	Cause	Correction
1. Water conditioner fails to regenerate.	A. Electrical service to unit has been interrupted	A. Assure permanent electrical service (check fuse, plug, pull chain, or switch)
	B. Timer is defective.	B. Replace timer.
	C. Power failure.	C. Reset time of day.
2. Hard water.	A. By-pass valve is open.	A. Close by-pass valve.
	B. No salt is in brine tank.	B. Add salt to brine tank and maintain salt level above water level.
	C. Injector screen plugged.	C. Clean injector screen.
	D. Insufficient water flowing into brine tank.	D. Check brine tank fill time and clean brine line flow control if plugged.
	E. Hot water tank hardness.	E. Repeated flushings of the hot water tank is required.
	F. Leak at distributor tube.	F. Make sure distributor tube is not cracked. Check O-ring and tube pilot.
	G. Internal valve leak.	G. Replace seals and spacers and/or piston.
3. Unit used too much salt.	A. Improper salt setting.	A. Check salt usage and salt setting.
	B. Excessive water in brine tank.	B. See problem 7.
4. Loss of water pressure.	A. Iron buildup in line to water conditioner.	A. Clean line to water conditioner.
	B. Iron buildup in water conditioner.	B. Clean control and add mineral cleaner to mineral bed. Increase frequency of regeneration.
	C. Inlet of control plugged due to foreign material broken loose from pipes by recent work done on plumbing system.	C. Remove piston and clean control.
5. Loss of mineral through drain line.	A. Air in water system.	A. Assure that well system has proper air eliminator control. Check for dry well condition.
	B. Improperly sized drain line flow control.	B. Check for proper drain rate.
6. Iron in conditioned water.	A. Fouled mineral bed.	A. Check backwash, brine draw, and brine tank fill. Increase frequency of regeneration. Increase backwash time.
7. Excessive water in brine tank.	A. Plugged drain line flow control.	A. Clean flow control.
	B. Plugged injector system.	B. Clean injector and screen.
	C. Timer not cycling.	C. Replace timer.
	D. Foreign material in brine valve.	D. Replace brine valve seat and clean valve.
	E. Foreign material in brine line flow control.	E. Clean brine line flow control.

---

## *Troubleshooting*

---

<b>Problem</b>	<b>Cause</b>	<b>Correction</b>
8. Softener fails to draw brine.	A. Drain line flow control is plugged.	A. Clean drain line flow control.
	B. Injector is plugged.	B. Clean injector
	C. Injector screen plugged.	C. Clean screen.
	D. Line pressure is too low.	D. Increase line pressure to 20 psi (1.3 bar)
	E. Internal control leak	E. Change seals, spacers, and piston assembly.
	F. Service adapter did not cycle.	F. Check drive motor and switches.
9. Control cycles continuously.	A. Misadjusted, broken, or shorted switch.	A. Determine if switch or timer is faulty and replace it, or replace complete power head.
10. Drain flows continuously.	A. Valve is not programming correctly.	A. Check timer program and positioning of control. Replace power head assembly if not positioning properly.
	B. Foreign material in control.	B. Remove power head assembly and inspect bore. Remove foreign material and check control in various regeneration positions.
	C. Internal control leak.	C. Replace seals and piston assembly.

---

# Troubleshooting

---

## Error Codes

**Note:** Error codes appear on the In Service display.

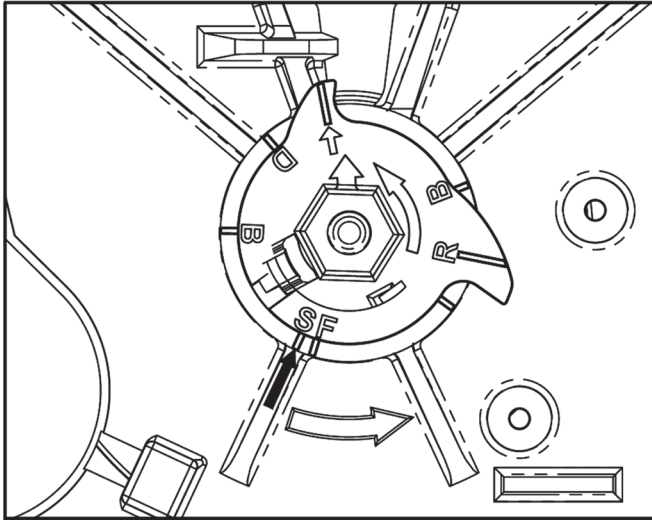
Error Code	Error Type	Cause	Reset and Recovery
0	Cam Sense Error	The valve drive took longer than 6 minutes to advance to the next regeneration position.	Unplug the unit and examine the powerhead. Verify that all cam switches are connected to the circuit board and functioning properly. Verify that the motor and drive train components are in good condition and assembled properly. Check the valve and verify that the piston travels freely. Replace/reassemble the various components as necessary. Plug the unit back in and observe its behavior. The unit should cycle to the next valve position and stop. If the error re-occurs, unplug the unit and contact technical support.
1	Cycle Step Error	The control experienced an unexpected cycle input	Unplug the unit and examine the powerhead. Verify that all cam switches are connected to the circuit board and functioning properly. Enter Master Programming mode and verify that the valve type and system type are set correctly with regard to the unit itself. Step the unit through a manual regeneration and verify that it functions correctly. If the error re-occurs unplug the unit and contact technical support.
2	Regen Failure	The system has not regenerated for more than 99 days (or 7 days if the Control Type has been set to Day-of-Week).	Perform a Manual Regeneration to reset the error code. If the system is metered, verify that it is measuring flow by running service water and watching for the flow indicator on the display. If the unit does not measure flow, verify that the meter cable is connected properly and that the meter is functioning properly. Enter Master Programming mode and verify that the unit is configured properly. As appropriate for the valve configuration, check that the correct system capacity has been selected, that the day override is set properly, and that the meter is identified correctly. If the unit is configured as a Day-of-Week system, verify that at least one day is set ON. Correct the settings as necessary.
3	Memory Error	Control board memory failure.	Perform a Master Reset and reconfigure the system via Master Programming mode. After reconfiguring the system, set the valve through a manual regeneration. If the error re-occurs, unplug the unit and contact technical support.



---

## Removing Gear Box Assembly

---



40988\_REVA

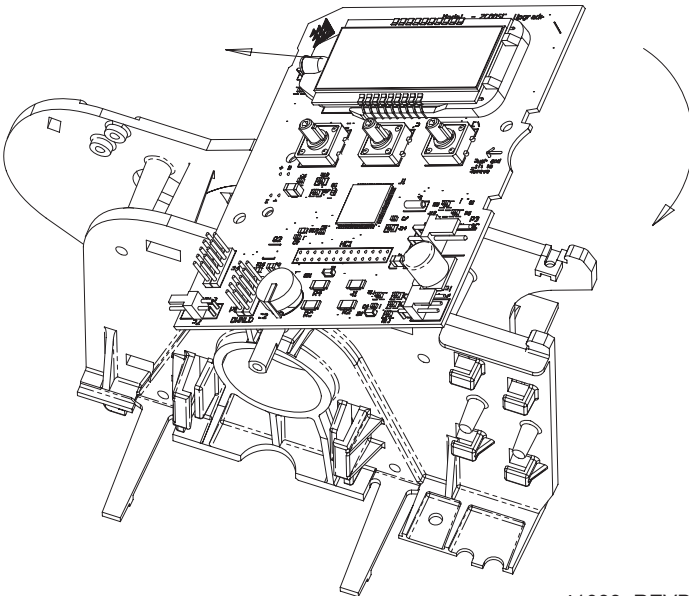
1. Unplug the power source.
2. With 3/8" nut driver, turn the cycle cam counter-clockwise to the position shown in illustration above.
3. Slightly pull the two tabs outward and push the gearbox slightly upward to remove.
4. When returning valve to service after powerhead disassembly, manually step valve through regeneration using the extra cycle button until valve is in service.



---

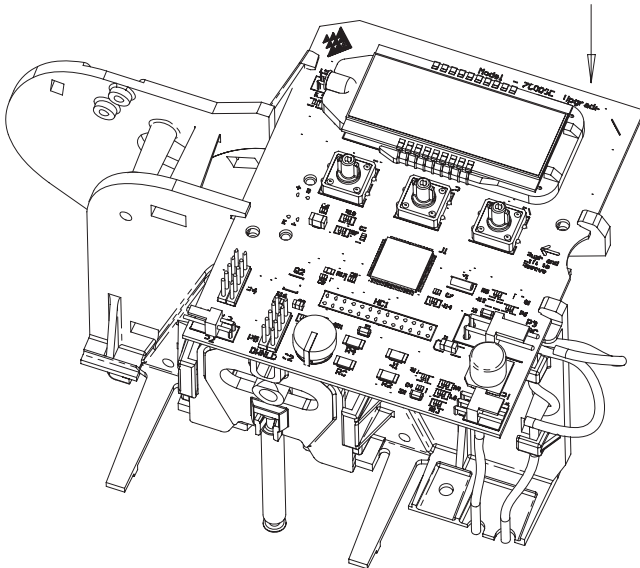
## Inserting Circuit Board

---



41033\_REVB

1. To insert the circuit board, align the notches on the left side of the board with the flexible finger on the power head. Apply pressure to the left while rotating the board back.



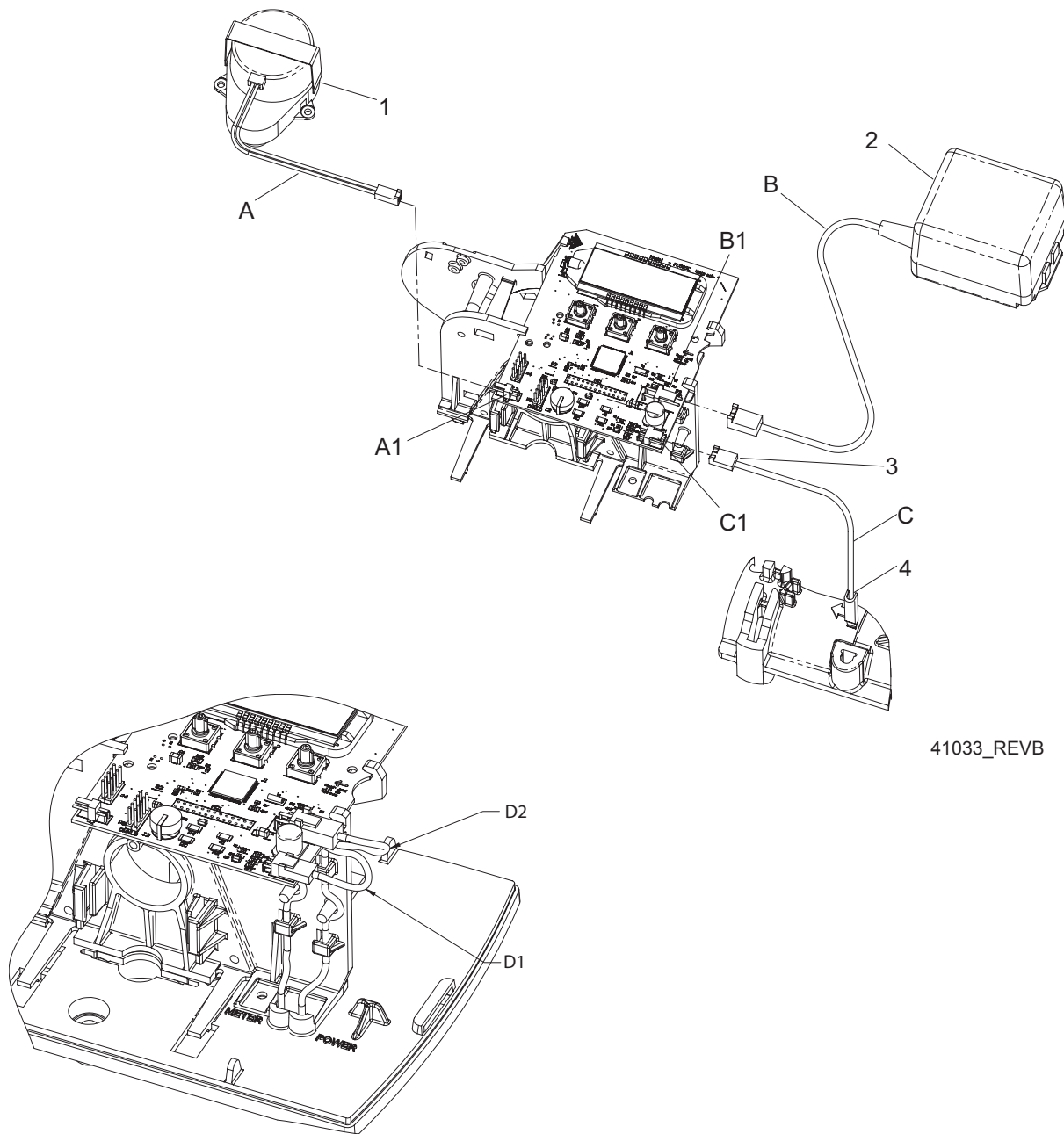
41033\_REVB

2. When all the way down, snap the circuit board into place under the notches on the right.

---

## Connecting the Circuit Board

---



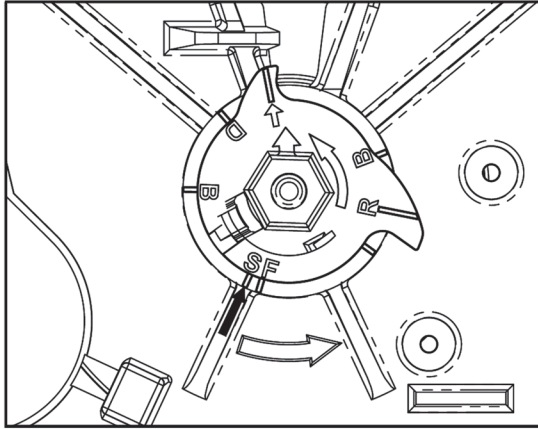
41033\_REVB

After the circuit board is installed:

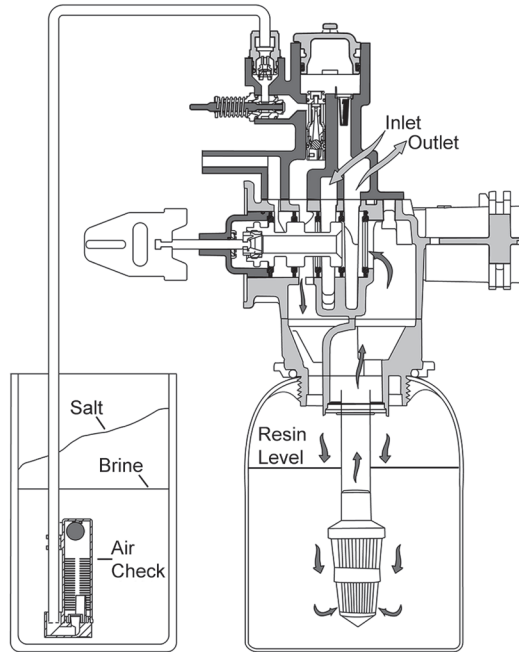
1. Connect the motor wires (A) to the motor connector (A1) on board.
2. Connect the transformer cable (B) to the transformer connector (B1) on board.
3. Connect the meter cable (C) to the meter cable connector (C1) on board.
4. Connect the meter cable sensor end to the opening on the valve body.
5. Thread meter cable (D1) and power wire (D2) along path shown in above illustration.

# Water Conditioner Flow Diagrams

## In Service Position

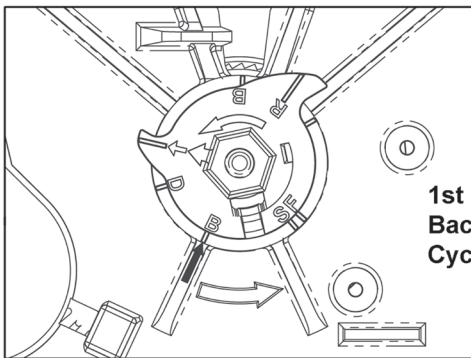


40988\_REVA

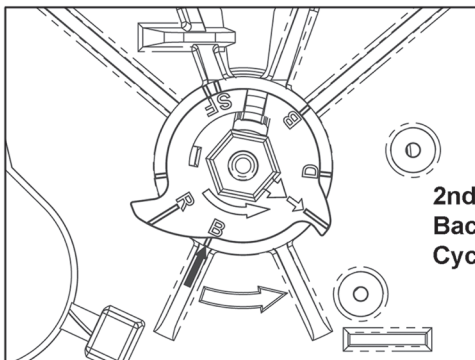


41121\_REVA

## Backwash Position

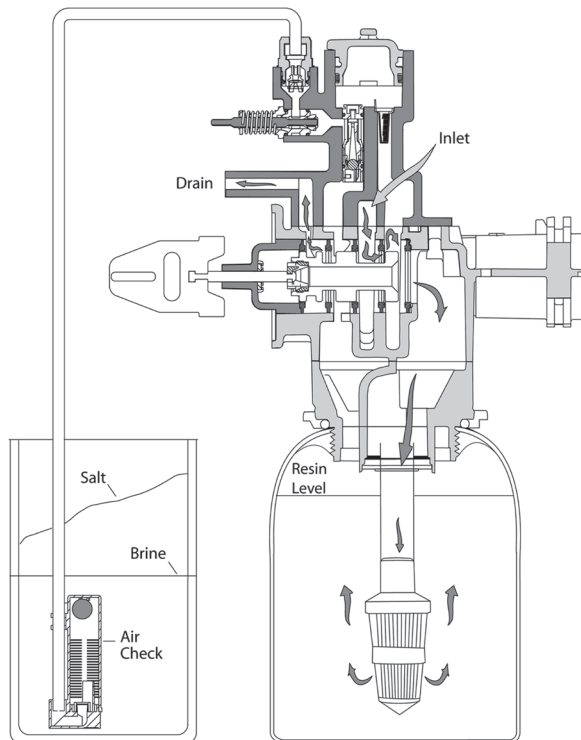


1st  
Backwash  
Cycle



2nd  
Backwash  
Cycle

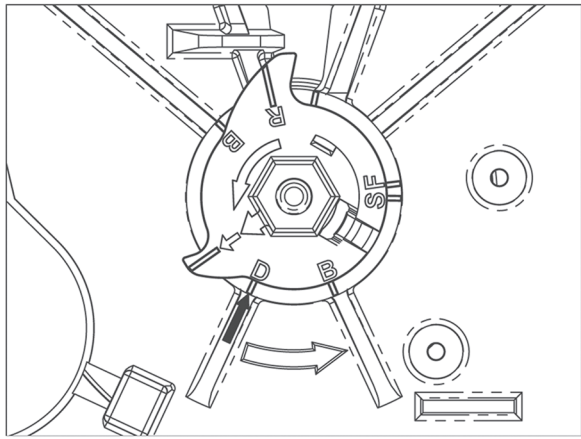
40988\_REVA



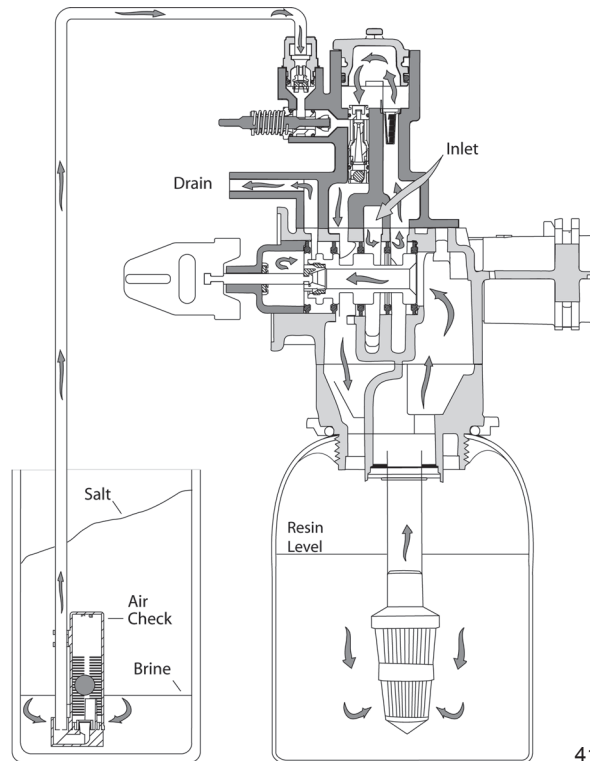
41121\_REVA

# Water Conditioner Flow Diagrams

## Brine Position

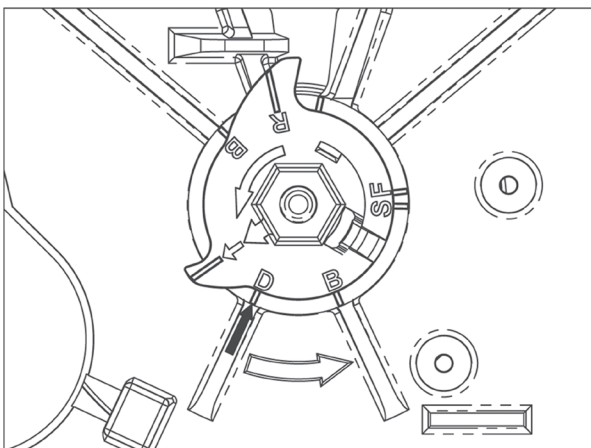


40988\_REVA

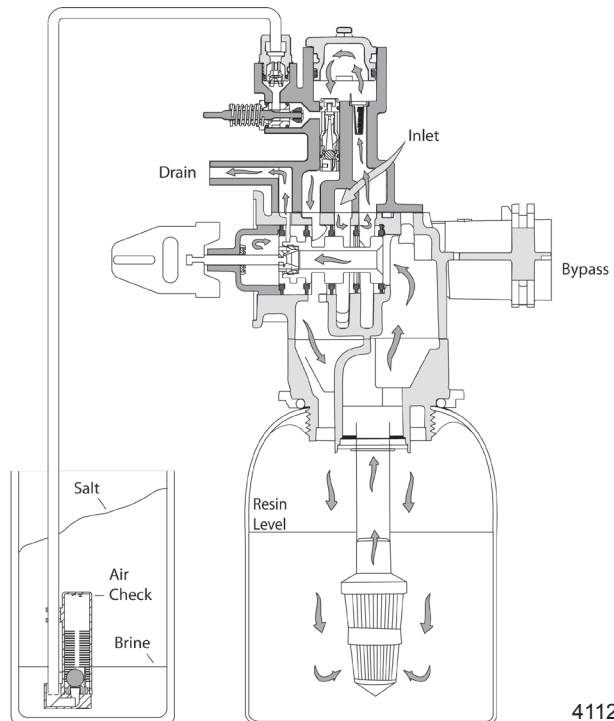


41121\_REVA

## Slow Rinse Position



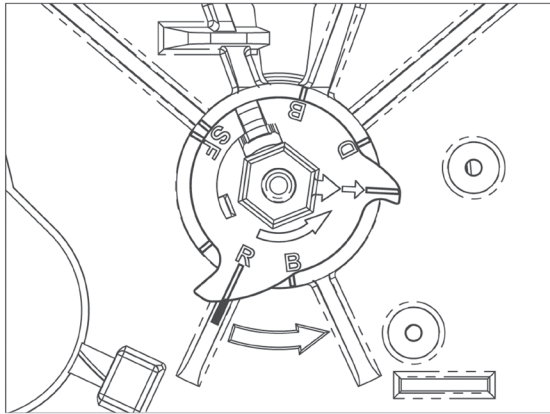
40988\_REVA



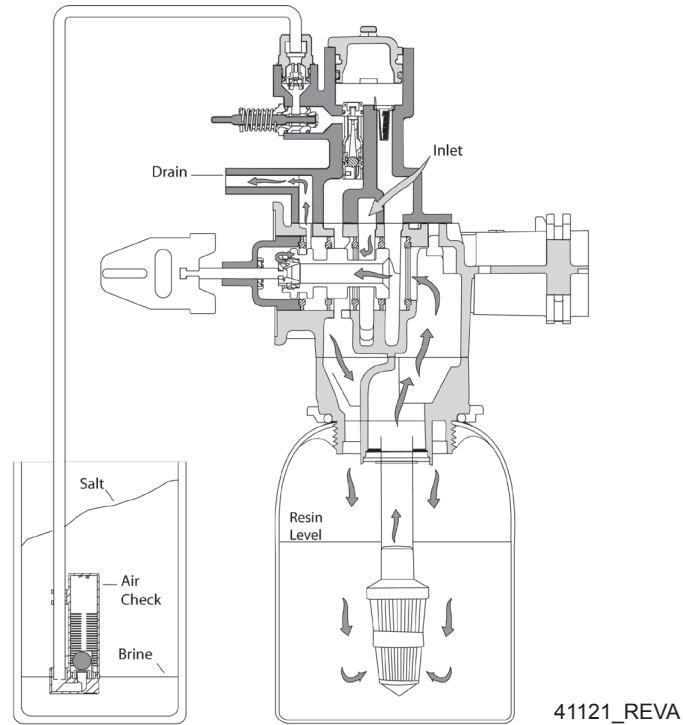
41121\_REVA

# Water Conditioner Flow Diagrams

## Rapid Rinse Position

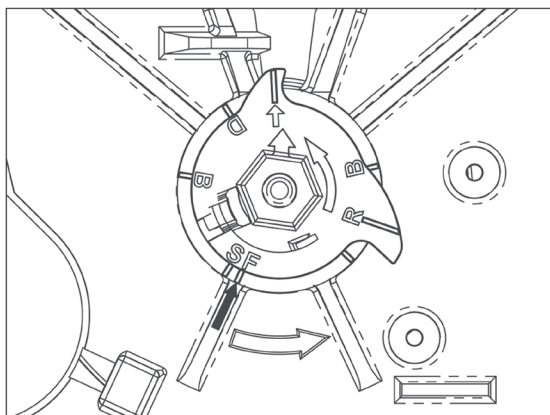


40988\_REVA

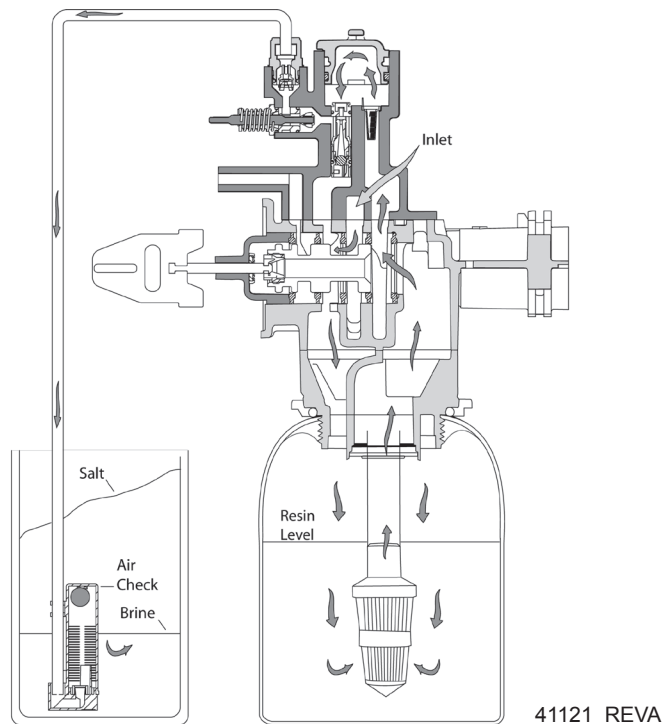


41121\_REVA

## Brine Tank Refill Position

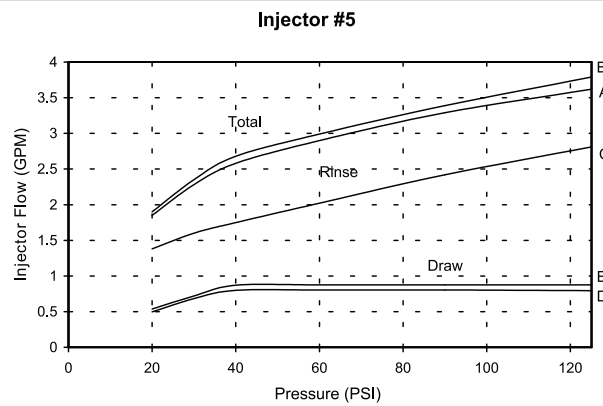
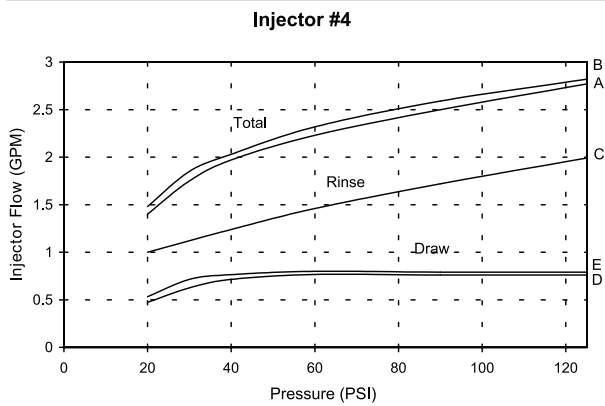
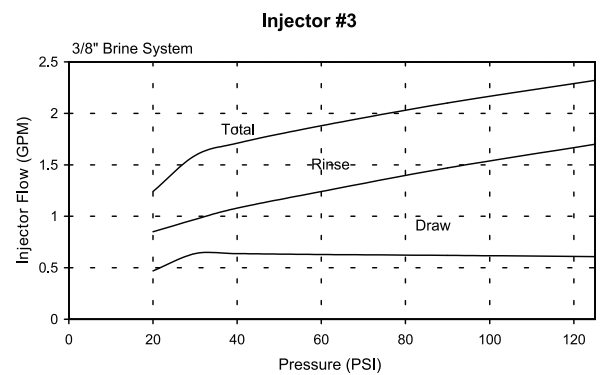
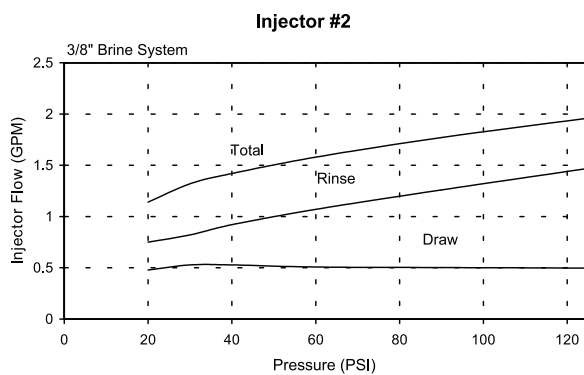
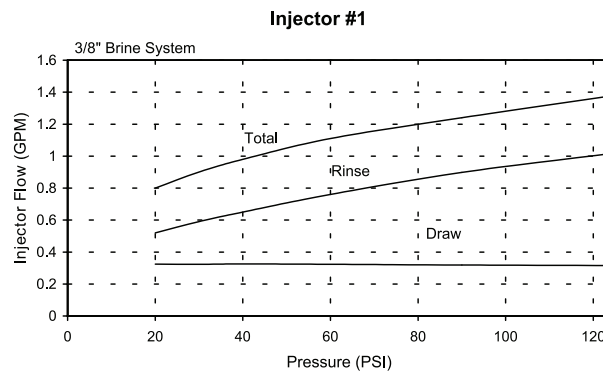
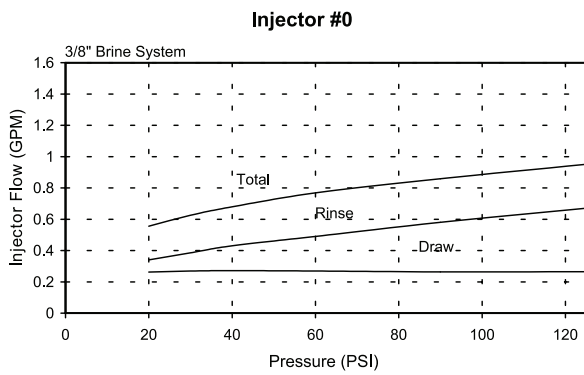
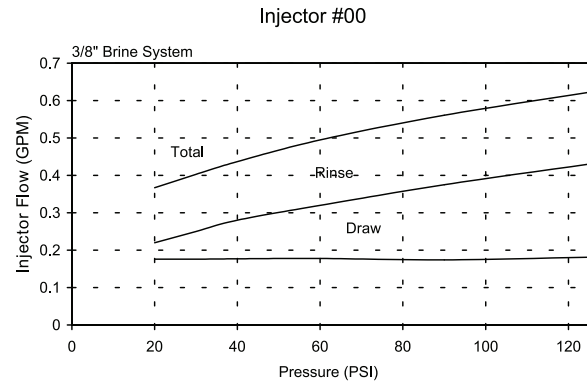
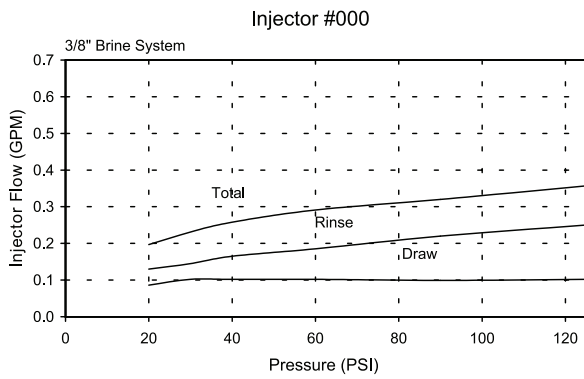


40988\_REVA



41121\_REVA

# Injector Flow Data

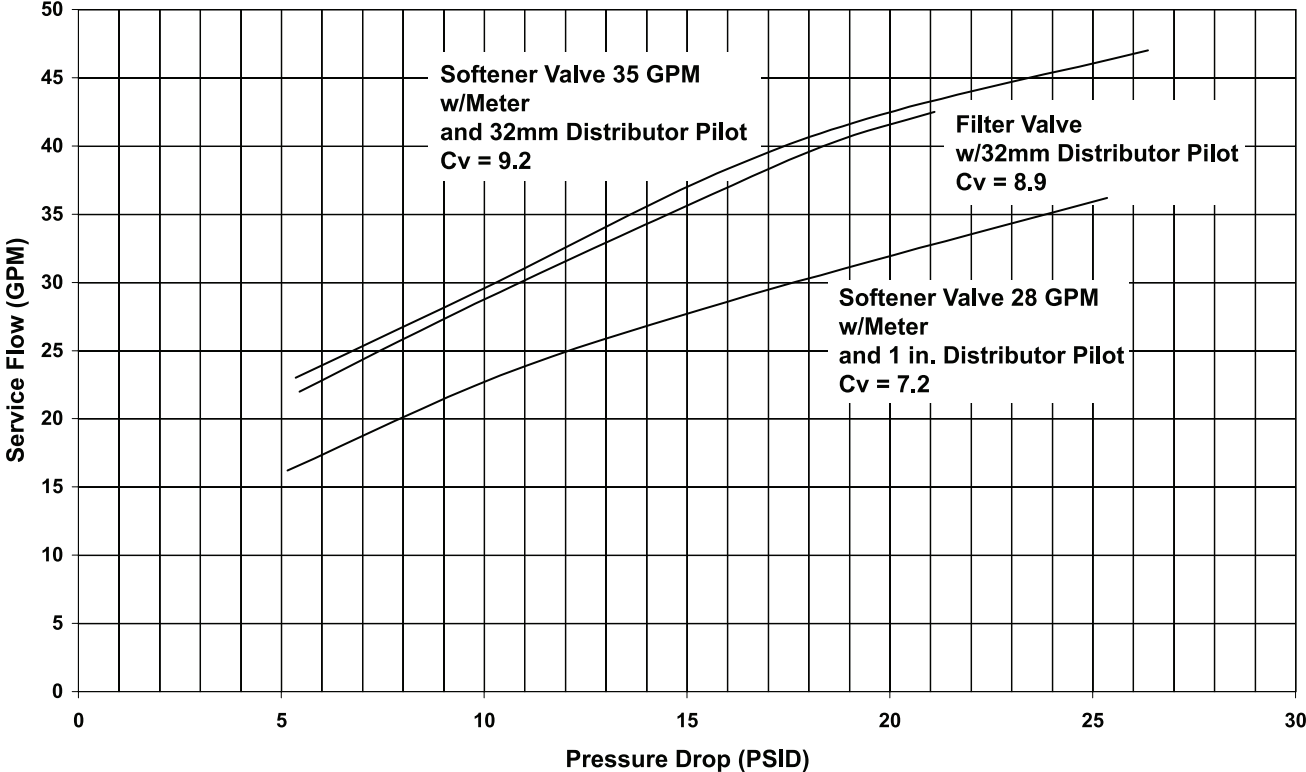


A) Total Flow, 3/8" Brine System B) Total Flow, 1/2" Brine Line C) Rinse D) Brine Draw, 3/8" Brine System E) Brine Draw, 1/2" Brine Line

**NOTE: All data taken with 2310 Safety Brine Valve and 500 Air Check**

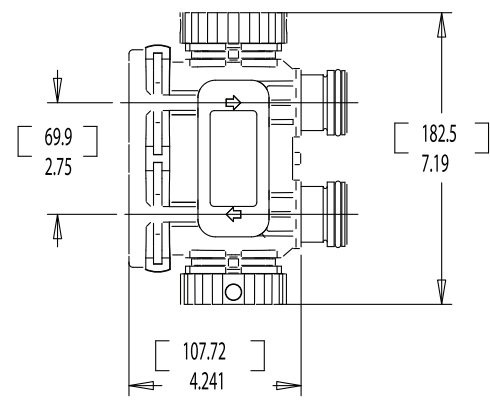
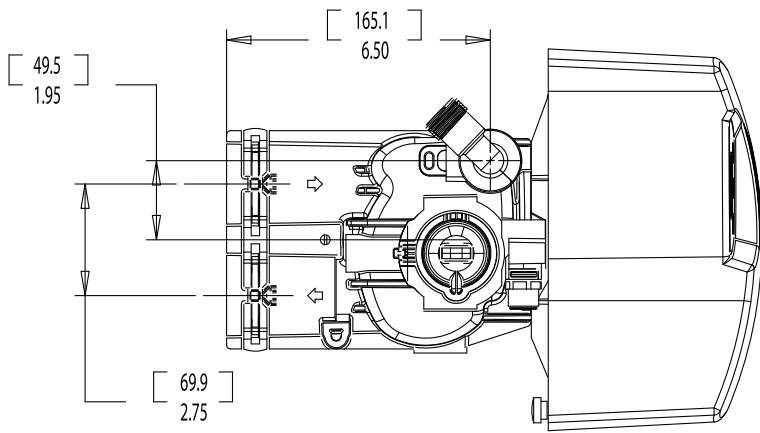
TR18755\_REV8

7000 Valve

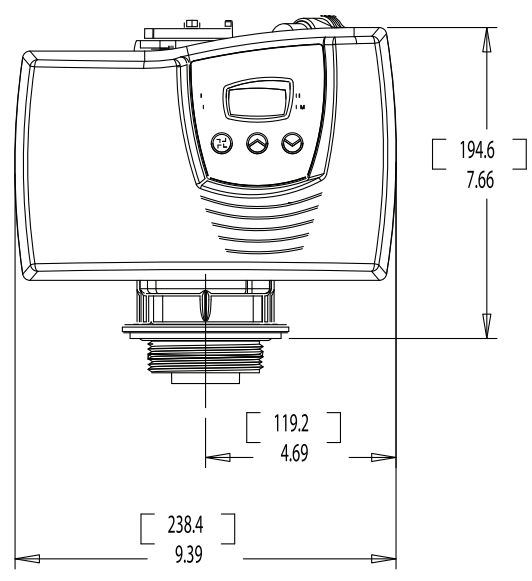
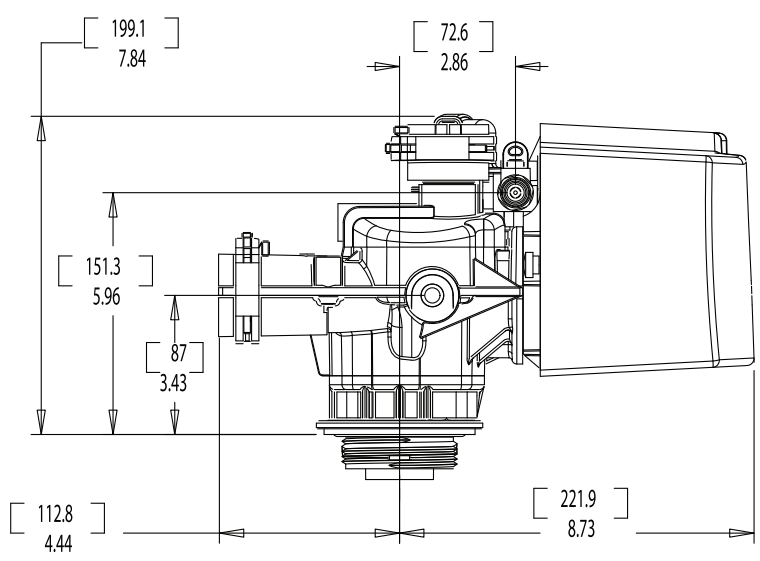


TR18753 Softener  
TR18688 Filter  
41140-02\_REVA

# Dimensions



BYPASS



41023\_REVC



