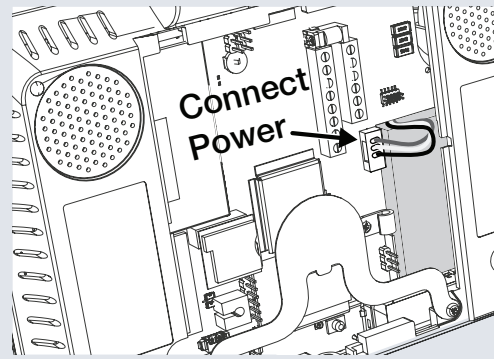
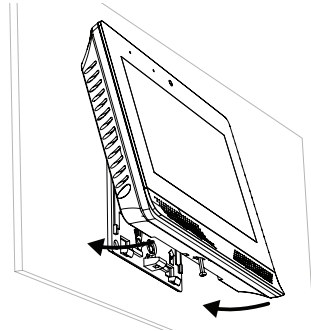


17. ATTACH THE BATTERY CONNECTOR.

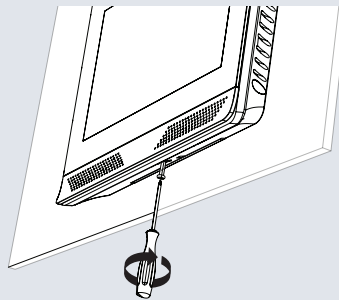


18. MOUNT THE EDGE PANEL: Align the EDGE panel on the backplate, then carefully snap it back into place.

NOTE: If the panel is using the **Desktop Mount**, re-attach the panel mounting plate, re-attach the Desktop Mount then go to Step 19 (below).



19. TIGHTEN THE SET-SCREW(S), then plug the power supply back into the wall outlet.



WARNING

- » Batteries must not be misused.
- » Lithium batteries have a cycle life, so please replace the old battery when it reaches its service life.
- » While replacing the battery pack, it's important to handle with care. Do not drop or damage the battery. Follow replacement instructions, and transport the old battery pack in a special battery fireproof bag. Consult local regulations to dispose old batteries.
- » Keep battery pack away from children.
- » Panel will boot when the battery is connected (AC power is not required to boot). Battery should be disconnected before shipping.

For additional details, please refer to 2GIG EDGE Installation Manual.



2GIG Technical Service: 800-421-1587
www.2gig.com

Niceforyou.com

©2023 Nice North America LLC. 2GIG is a registered trademark of Nice North America LLC. All rights reserved.



2GIG-EDG-BATT

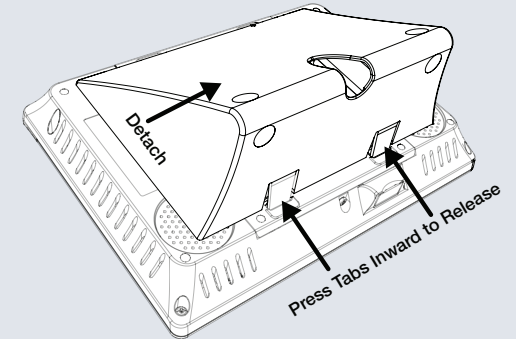
2GIG® EDGE Battery Replacement

INSTALLATION INSTRUCTIONS

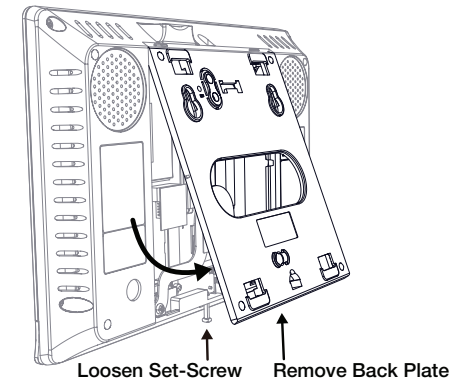
Perform the instructions detailed below to remove and replace the 2GIG EDGE panel on-board battery:

Desktop Mount

1. If installing the battery into an EDGE panel using a desktop mount, first unplug the power supply from the wall.
2. Detach the mount from the panel.



3. Remove the mounting plate, then follow Step 4 (below), followed by Steps 5 through 19 (pages 2-4).

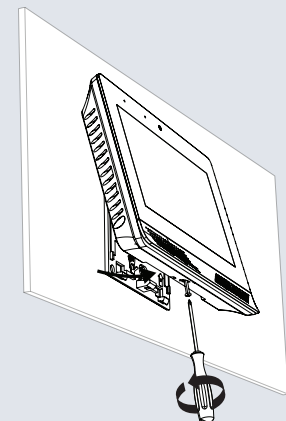


Wall Mounted Panel

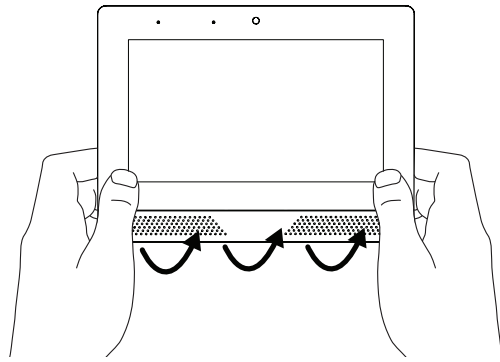
IMPORTANT: First, unplug the power supply from the wall (if in use).

4. **LOOSEN THE SET-SCREW(S):** With a Phillips head screwdriver, loosen (but do not remove) the set-screw(s) from the bottom (and the top of the panel if a screw is present) of the EDGE panel. The back plate can now be detached.

NOTE: Loosen the set-screw(s) only until you feel resistance.

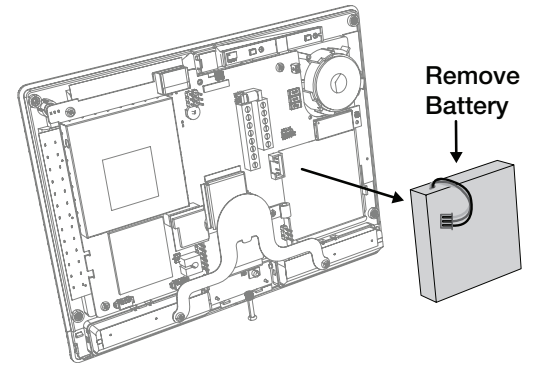


5. REMOVE PANEL FROM MOUNT: With two hands low on the panel, carefully apply pressure to the panel bottom outward to separate the panel from the mounting plate attached to the wall.



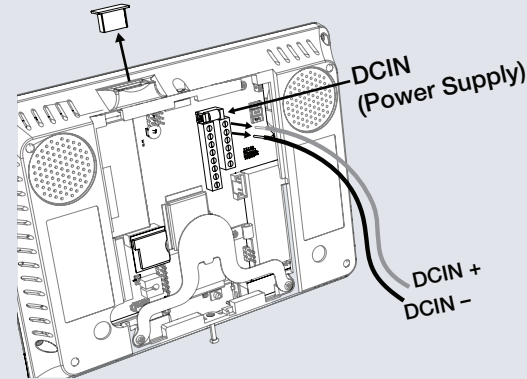
11. REMOVE THE CURRENT BATTERY: Take hold of the battery, and carefully separate it from the panel.

WARNING: Avoid the use of sharp tools or aggressive prying, because this could damage the battery or panel.



6. DISCONNECT POWER. Remove barrel connector, or if it is hard wired, loosen screws and remove wires.

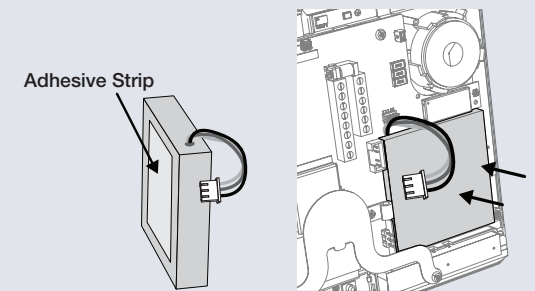
7. REMOVE THE USB PLUG (if present)



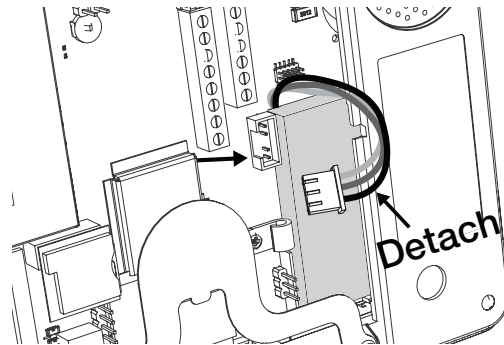
Installing the New Battery

12. REMOVE THE ADHESIVE STRIP from the back of the new battery.

13. INSERT THE NEW BATTERY.

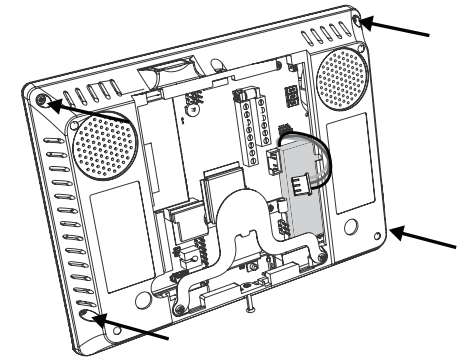


8. Carefully DETACH THE BATTERY CONNECTOR from the panel.



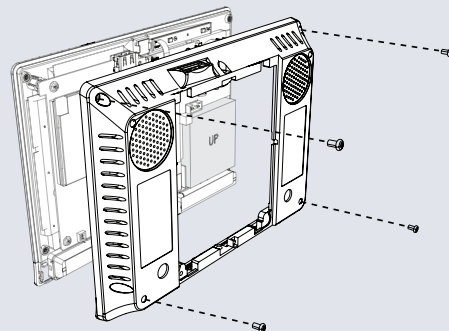
14. REPLACE THE BACK COVER. Make sure the back cover is properly seated by inserting the LCD from the bottom side and then seating the top.

15. Insert and tighten the four screws.



9. REMOVE THE FOUR SCREWS that secure the back panel, and then carefully remove the back cover from the panel.

10. Slightly pry the LCD from back cover by lifting up slightly on the back cover near the USB connector.



16. CONNECT POWER. Connect the barrel connector, or if it is hard wired, insert wires and tighten the screws to hold them in place.

