



LTE CELL RADIO MODULE

INSTALLATION INSTRUCTIONS

The 2GIG LTE Cell Radio Module is a snap-in, cellular radio module that provides the 2GIG Control Panel with the ability to send and receive two (2) -way voice communications with the Central Station monitoring the security system. It is designed for use with two (2) External Cellular Antennas which provides a consistently strong signal for communications.

NOTE: For best performance locate the antenna away from metal.

In addition to providing the Control Panel the ability to transmit security information to online monitoring portals, the cell radio module allows for delivery of Over-the-Air (OTA) firmware updates to the Control Panel.

Box Contents

Verify that the package includes the following items:

- 1—LTE Cell Radio Module
- 2—External Cellular Antennas
- 2—#4 Phillips Head Machine Screws and Lock Washers

Requirements

- 2GIG Control Panel with the appropriate firmware version for your Cell Radio Module

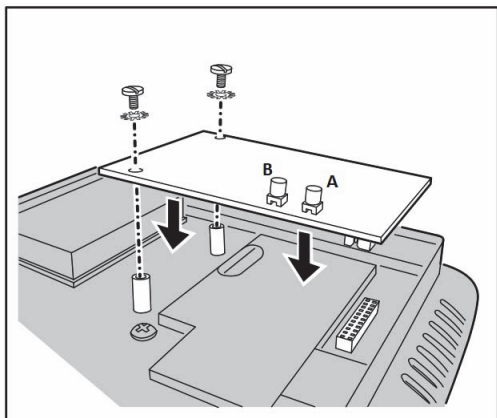
Installing the LTE Cell Radio Module and Antennas

NOTE: As with all electrical appliances, a shock hazard exists if any electrical current is connected to the 2GIG Control Panel by AC power or battery while inserting, removing, or replacing parts.

To install the Cell Radio Module:

- 1 Disconnect the AC power supply from its power source.
- 2 Remove the backplate from the Control Panel.
- 3 Disconnect the battery from the Control Panel.
- 4 Align the Cell Radio Module as shown in the figure below.
- 5 Use the two (2) screws and lock washers provided to secure the Cell Radio Module as shown in the figure below.

Figure 1 LTE Cell Radio Module Placement



A = MAIN connector for out-of-panel antenna (in wall or in desk mount)

B = DIV connector for in-panel antenna

- 6 Affix both antenna cables to the connectors on top of the Cell Radio Module as follows:

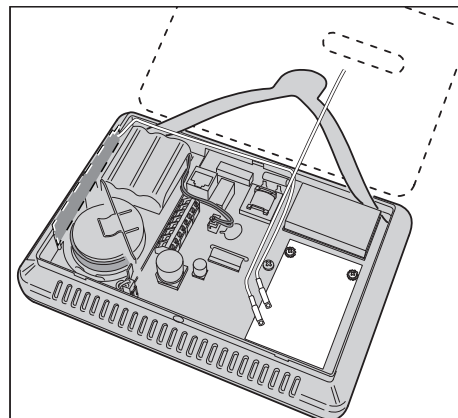
NOTE: Both antennas must be installed for proper performance.

- Connect one antenna to the MAIN connector and place the antenna outside the case as shown in Figure 2.
- Connect the other antenna to the DIV connector and place it inside the case.

NOTE: Route the antenna cables so that they do not run across the top of the module.

- 7 Pull the loose end of the antenna through the access hole on the Control Panel's backplate.

Figure 2 Antenna Placement



- 8 Replace the Control Panel's backplate.

Removing an Existing Cell Radio Module and Antenna

If you are replacing an existing module with a new LTE Cell Radio Module, use the steps below.

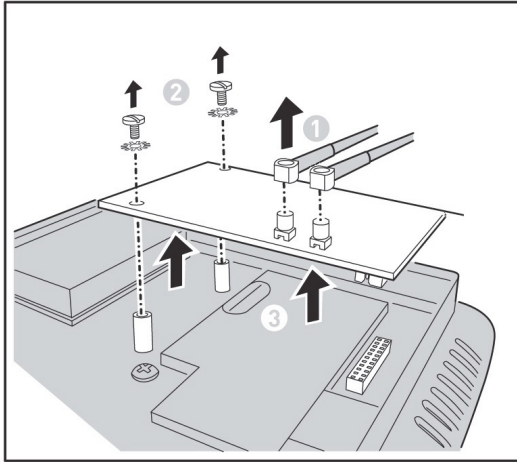
NOTE: As with all electrical appliances, a shock hazard exists if any electrical current is connected to the 2GIG Control Panel by AC power or battery while inserting, removing, or replacing parts.

Removing the Cell Radio Module

To remove the Cell Radio Module:

- 1 Disconnect the AC power supply from its power source.
- 2 Remove the backplate from the Control Panel.
- 3 Disconnect the battery from the Control Panel.
- 4 Detach the antennas as shown in 1 in the figure below.
For steps, see "Removing an Internal Antenna" on page 2 or "Removing an External Antenna" on page 2.
- 5 Remove the screws as shown in 2 in the figure below.
- 6 Pull the Cell Radio Module out carefully, without bending the pins as shown in 3 in the figure below.

Figure 3 Removing the Cell Radio Module



- 7 Plug the new Cell Radio Module into the 2GIG Control Panel by carefully placing it onto the pins.
- 8 Secure the module with the two (2) Phillips Head Machine Screws and Lock Washers.
- 9 Attach both of the new antennas as described in "Installing the LTE Cell Radio Module and Antennas" on page 1.

NOTE: If replacing a 3G or CDMA radio, do not reuse the existing antenna.

Removing an Internal Antenna

To remove an internal antenna:

- 1 Disconnect AC power supply from power source.
- 2 Disconnect the battery from the 2GIG Control Panel.
- 3 Lift up the side flap on the 2GIG Control Panel.
- 4 Detach the antenna.
- 5 Pull the internal antenna out from the side of the 2GIG Control Panel.

Removing an External Antenna

To remove an external antenna:

- 1 Disconnect AC power supply from power source.
- 2 Remove the backplate from the Control Panel.
- 3 Disconnect the battery from the 2GIG Control Panel.
- 4 Detach the antenna.
- 5 Pull the external antenna from where it was previously installed.
- 6 Replace the back cover on the control panel.

Regulatory Information

Regulatory marks are affixed to either the LTE Cell Radio Module and/or its packaging. For regulatory information, submit an email request to: 2gigtechsupport@nortek.com

Limited Warranty

This Nortek Security & Control product is warranted against defects in material and workmanship for one (1) year. This warranty extends only to wholesale customers who buy direct from Nortek Security & Control LLC or through Nortek Security & Control LLC's normal distribution channels. Nortek Security & Control LLC does not warrant this product to consumers. Consumers should inquire from their selling dealer as to the nature of the dealer's warranty, if any.

There are no obligations or liabilities on the part of Nortek Security & Control LLC for consequential damages arising out of or in connection with use or performance of this product or other indirect damages with respect to loss of property, revenue, or profit, or cost of removal, installation, or reinstallation. All implied warranties for functionality, are valid only until the warranty expires. This Nortek Security & Control LLC Warranty is in lieu of all other warranties expressed or implied.

For technical support in the USA and Canada:

855-2GIG-TECH (855-244-4832)
Email: 2gigtechsupport@nortek.com
Visit website for technical support hours of operation



For technical support outside of the USA and Canada:

Contact your regional distributor
Visit 2gig.com/dealers/ for a list of distributors in your region

PN: 10013635A