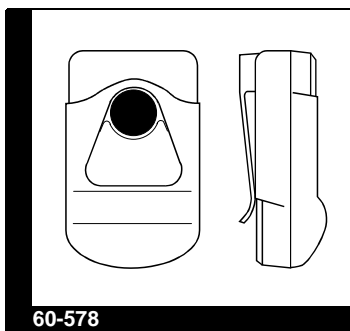


Learn Mode Water-Resistant Pendant Panic Button

Document Number: 46-667 Rev. E
April 1996



60-578 INSTALLATION INSTRUCTIONS

Product Summary

This panic button can be used throughout the premises for police, medical, or auxiliary alarm activation. When the sensor button is pressed, the built-in transmitter sends a signal to the panel.

The water-resistant design helps prevent damage in case the sensor accidentally gets wet.

The sensor can be worn using the built-in belt clip or it can be mounted on a wall in a location convenient for the customer, using the optional wall-mount holder (kit number 80-116). Each kit includes the following:

- 5 wall-mount holders
- 5 pieces of double-sided tape
- 10 plastic anchors
- 10 Phillips-head screws

Installation Considerations

Use the following guidelines when installing this button.

- The transmitter in the button has an open-air range of up to 1,000 ft., but the installation environment may influence this range.
- When mounting on a wall, determine the best location for each panic button so it is easily accessible.
- The 3.5 VDC lithium battery will last at least 12 months.

Tools Needed

- Small Phillips screwdriver (if installing the optional wall-mount holder)

Mounting the Holder

This section describes how to mount the optional wall-mount holder, using anchors and screws or double-sided tape.

Mounting with Anchors and Screws

- 1) Place the holder on the wall at the desired location and mark the mounting holes with a pencil (see Figure 1).

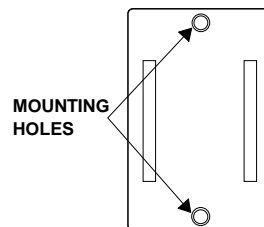


Figure 1. Mounting Hole Locations

- 2) Secure the holder to the wall with the screws supplied. Use the anchors supplied where studs are not present.

Mounting with Double-Sided Tape

- 1) Peel off the colored backing from the double-sided tape and place it on back of the holder (see Figure 2).



Figure 2. Tape Location on Back of Holder

- 2) Peel off the other backing and firmly press the holder against the mounting surface.

Programming the Sensor

This section describes the basic steps for adding the sensor to panel memory. For complete instructions, refer to the specific panel's installation instructions or reference manual.

- 1) Set the panel in the program mode.
- 2) When prompted by the panel, enter the appropriate group number (groups 00 through 07).

Note: For UL installations where the holder is used, the sensor must be added as a fixed type (sensor groups 00, 02, 04, or 05).

- 3) When prompted by the panel, select the desired sensor number.
- 4) When prompted by the panel, trip the sensor by pressing the sensor button.
- 5) Exit from program mode.

Testing the Sensor

- 1) Set the system to the Dealer Sensor Test mode.
- 2) Press the button on the sensor.
- 3) Count the number of signals received by the panel, indicated by interior siren beeps. Seven to eight beeps is considered acceptable.
- 4) Test the sensor from several locations within the premises to check for consistent response.

Replacing the Sensor Battery

- 1) Disassemble the sensor by removing the two screws on the back of the sensor and separate the front and back plastic.

WARNING: You must be free of all static electricity before handling the transmitter circuit board. Touch a grounded, bare metal surface before touching the circuit board, or wear a grounding strap.

- 2) Remove the old battery from its holder and install the new battery, observing polarity.

WARNING: Install only the same size and type battery. Do not substitute another size or type battery.

- 3) Reassemble the sensor.

Note: Be sure to assemble the sensor correctly to ensure water resistance. Be especially careful not to nick or damage the rubber gasket lining.

- 4) Test the sensor as described in the section "Testing the Sensor."

Lithium Battery Disposal

Lithium batteries that are no longer usable are considered hazardous waste. Be sure to properly dispose of the old battery. Contact your local city government for hazardous waste disposal laws.

Specifications

Compatibility: All ITI Learn Mode Panels

Power Source: 3.6 VDC Saft Lithium Battery

Enclosure: Water-Resistant and Shock-Resistant

Dimensions (L x W x D): 2-1/4" x 1-3/4" x 3/4"

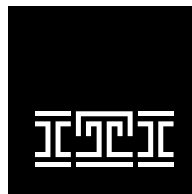
Notices

This device complies with part 15 of the FCC rules. Operation is subject to the following two conditions:

- 1) This device may cause harmful interference.
- 2) This device must accept any interference received, including interference that may cause undesired operation.

Changes or modifications not expressly approved by Interactive Technologies, Inc. can void the users' authority to operate the equipment.

US Patents 4,855,713, 4,864,636, and others pending.



W I R E L E S S

Security
Automation
Access Control

INTERACTIVE TECHNOLOGIES, INC.

2266 SECOND STREET NORTH
NORTH SAINT PAUL, MN 55109

T: 612/777-2690

F: 612/779-4890

ITI is a registered trademark of Interactive Technologies, Inc.