

DSC Power832/ PC5010

Wiring M2M's MiNi/MQ Series Cellular Communicators and Programming the Panel

CAUTION:

- It is advised that an experienced alarm installer programs the panel as further programming may be required to ensure proper performance and use of the full functionality.
- Do not route any wiring over circuit board.
- Full panel testing, and signal confirmation, must be completed by the installer.

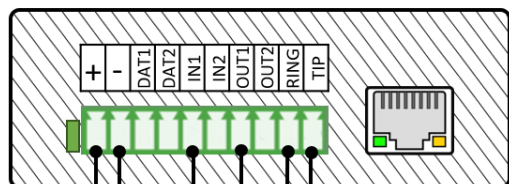
NEW FEATURE: For MiNi/MQ Series Communicators, the status of the panel can be retrieved not only from the status PGM but now also from the Open/Close reports from the dialer. Therefore, wiring the white wire and programming of the status PGM of the panel is optional.

Wiring the white wire is necessary only if the Open/Close reporting is disabled.

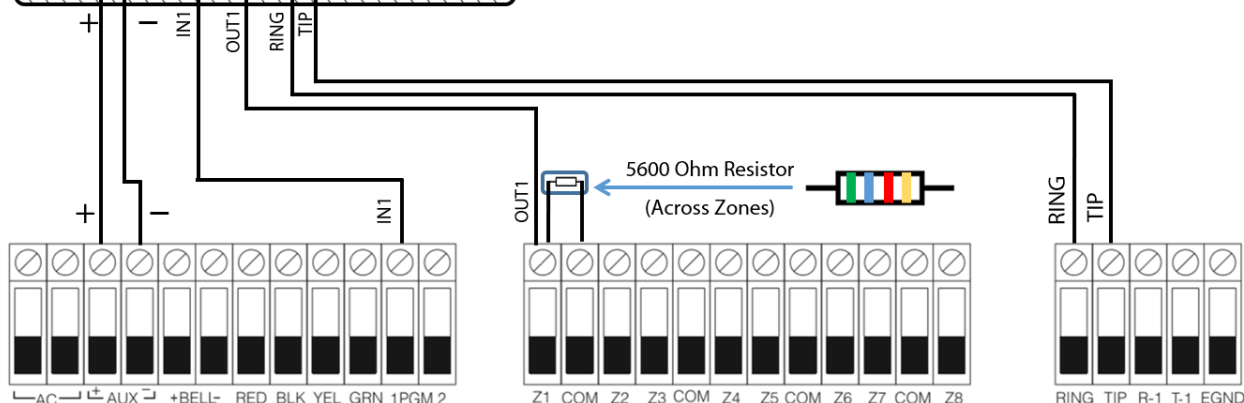
IMPORTANT NOTE: The Open/Close reporting needs to be enabled during the initial pairing procedure.

Wiring the MQ Series communicators to DSC Power832/ PC5010

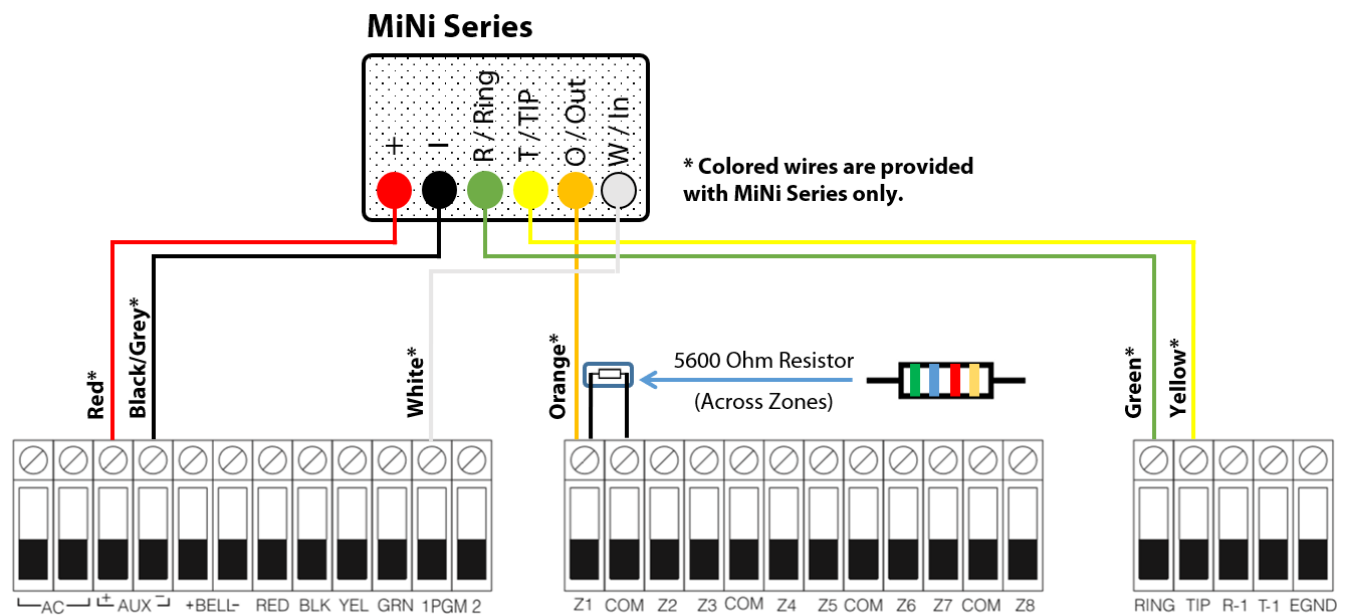
MQ Series



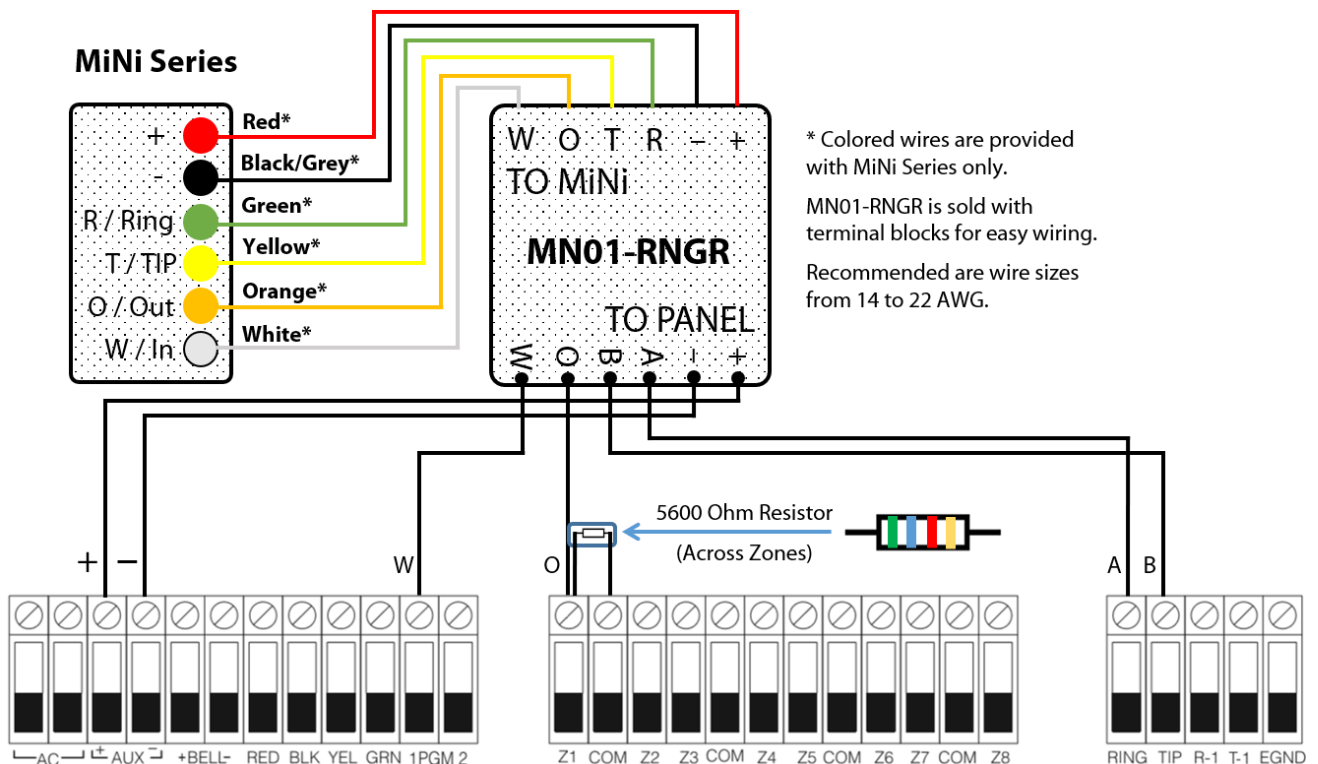
MQ Series are sold with terminal blocks for easy wiring. Recommended are wire sizes from 14 to 22 AWG.



Wiring the MiNi Series communicators to DSC Power832/ PC5010



Wiring the MiNi Series with Ringer MN01-RNGR to DSC Power832/ PC5010 for UDL



(See page 5)

Programming the DSC Power832/ PC5010 Alarm Panel via the Keypad

We recommend SIA, as all event codes are programmed automatically.

Enable SIA reporting:

LED indication on Keypad	Keypad Entry	Action Description
Armed: Steady Red Program: Blinking Red	*85010	To enter in Programming mode.
Ready: Steady Green 1: Steady Red	301	To enter "Change phone number menu" for 1 st number (302 or 303 for 2 nd or 3 rd)
Armed: Steady Red Program: Blinking Red	123456#	Enter actual or non-existing number (any number will do, 123456 is an example).
Ready: Steady Green Program: Blinking Red	310	To enter "Change account number menu"
Armed: Steady Red Program: Blinking Red	1111	Enter 4-digit account number to receive the events from (1111 is an example). If you want to enter partition 2 account number – type 311 followed by 1112# (whatever number you want to see) otherwise leave empty.
Ready: Steady Green Program: Blinking Red	360	To enter "Communicator format"
Armed: Steady Red Program: Blinking Red	04#	Press 04 for SIA and # to save (if there are two partitions enter 0404#).
Ready: steady Green	#	Exit Programming mode.

If, for some reason, you need Contact ID, proceed with the programming, as follows:

Enable Contact ID reporting:

LED indication on Keypad	Keypad Entry	Action Description
Armed: Steady Red Program: Blinking Red	*85010	To enter in Programming mode.
Ready: Steady Green 1: Steady Red	301	To enter "Change phone number menu" for 1 st number (302 or 303 for 2 nd or 3 rd)
Armed: Steady Red Program: Blinking Red	123456#	Enter actual or non-existing number (any number will do, 123456 is an example).
Ready: Steady Green Program: Blinking Red	310	To enter "Change account number menu"
Armed: Steady Red Program: Blinking Red	1111	Enter 4-digit account number to receive the events from (1111 is an example). If you want to enter partition 2 account number – type 311 followed by 1112# (whatever number you want to see) otherwise leave empty.
Ready: Steady Green Program: Blinking Red	360	To enter "Communicator format"
Armed: Steady Red Program: Blinking Red	03#	Press 03 for Contact ID and # to save (if there are two partitions enter 0303#)
Ready: Steady Green Program: Blinking Red	320	To enter "Alarm reporting code for zones 1 through 8"
Armed: Steady Red Program: Blinking Red	31313131313131	Enter a Contact ID code for each zone. If you have less than 8 zones, just press # after the last one. If you have more than 8 zones repeat the same for the rest of them (321 is for 9-16, 322 for 17-24, 323 for 25-32).
Ready: Steady Green Program: Blinking Red	324	To enter "Restore" report codes for zones 1 through 8.
Armed: Steady Red Program: Blinking Red	31313131313131	Enter a Contact ID code for each zone, the same as the one entered in the previous step "Alarm reporting". If you have more than 8 zones repeat the same for the rest of them (325 is for 9-16, 326 for 17-24, 327 for 25-32).
Ready: Steady Green Program: Blinking Red	339	To enable "Arm" report codes for zones 1 through 8.

Armed: Steady Red Program: Blinking Red	*1*2*1*2*1*2*1*2* 1*2*1*2*1*2*1*2	Enter a Contact ID code for each zone (A2 is the Contact ID code for "ARM"). if you have less than 8 zones, just press # after the last one. If you have more than 8 zones repeat the same for the rest of them (340 is for 9-16, 341 for 17-24, 342 for 25-32).
Ready: Steady Green Program: Blinking Red	344	To enter "Disarm" report codes for zones 1 through 8.
Armed: Steady Red Program: Blinking Red	*1*2*1*2*1*2*1*2* 1*2*1*2*1*2*1*2	Enter a Contact ID code for each zone, the same as the one entered in the previous step "Arm". If you have more than 8 zones repeat the same for the rest of them (345 is for 9-16, 346 for 17-24, 347 for 25-32).
Ready: Steady Green Program: Blinking Red	380	To enter "First communicator option code".
Ready: Steady Green 1: Steady Red	1#	To activate "Communications enabled" until LED on Zone 1 is lit. Make sure that all other LED's are off-> press the respective number until only Zone 1 is lit Red and the others are dim.
Ready: Steady Green Program: Blinking Red	361	To enter "Partition 1 or 2 Alarms and Restores" (361 – partition 1, 362 – partition 2).
Ready: Steady Green 1: Steady Red	1#	To activate "1 st Telephone Number" until LED on Zone 1 is lit.
Ready: Steady Green Program: Blinking Red	363	To enter "Partition 1 or 2 Tamper and Restores" (363 – partition 1, 364 – partition 2).
Ready: Steady Green 1: Steady Red	1#	To activate "1 st Telephone Number" until LED on Zone 1 is lit.
Ready: Steady Green Program: Blinking Red	365	To enter "Partition 1 or 2 Tamper and Restores" (365 – partition 1, 366 – partition 2). NOTE – some stations require this to be disabled.
Additional reporting options:		
Ready: Steady Green Program: Blinking Red	329	Priority Alarm & Restores Keypad panic key zone programming.
Armed: Steady Red Program: Blinking Red	1*1*, *11*, 2*1 #	Fire = 1A, Medical = AA, Panic = 2A (*1 is equivalent to A)
Ready: Steady Green Program: Blinking Red	343	Closing Duress and master code section
Armed: Steady Red Program: Blinking Red	*11#	AA
Ready: Steady Green Program: Blinking Red	348	Duress and master code section
Armed: Steady Red Program: Blinking Red	*11#	AA
	349	Maintenance codes alarm. See page 6.
	350	Maintenance codes restore. See page 6.
Ready: Steady Green Program: Blinking Red	352	Test Transmission reporting code
Armed: Steady Red Program: Blinking Red	*1*2#	
Ready: Steady Green Program: Blinking Red	367	Maintenance & restore alarms on
Ready: Steady Green 1: Steady Red	1#	
Ready: Steady Green Program: Blinking Red	368	Test Transmissions on
Ready: Steady Green 1: Steady Red	1#	
Armed: Steady Red Program: Blinking Red	378	Test transmission time - 24hr time
Ready: steady Green	#	Exit Programming mode.

Program Key-switch zone and output:

LED indication on Keypad	Keypad Entry	Action Description
Armed: steady Red	*85010	To enter in Programming mode.
Ready: steady Green	202	To enter Partition zone assignments.
Ready: steady Green	1#	Turn ON (the corresponding LED will be lit) only the zones that you intend to use – the rest must be OFF (LEDs are dim) – in our case LEDs 2-7 will be OFF.
Armed: steady Red	001	Zone 1 Keyswitch.
Ready: steady Green	22#	Enter 22 to program zone Type Keyswitch.
Armed: steady Red	013	To program EOL zones.
Ready: steady Green	1#	1 must be OFF to set the zones to end-of-line wiring configuration.
Armed: steady Red	009	To program Output 1.
Ready: steady Green	05#	05 is Armed Status.
Ready: steady Green	#	Exit Programming mode.

References: Binary Programming

To program A thru F into programming slots, press the "*" key. The READY light will flash. While flashing, the button
1 = A, 2 = B, 3 = C, 4 = D, 5 = E, 6 = F
Press "*" again and the keys revert back to normal.

See full Contact ID reporting codes on page 6 of this manual.

Programming the DSC Power832/ PC5010 Alarm Panel via the Keypad for remote Upload/Download (UDL)

Program the Panel for Upload/Download (UDL):

Display	Keypad Entry	Action Description
Date / Time	*8 + Inst. Code	Enter programming menu. Default installer code is "5555".
Enter section	401	First downloading options toggle menu
Toggle option	1,3,6#	1 and 3 should be disabled. 6 should be enabled. Press # to exit.
Enter section	403	DLS downloading access code.
Enter Hex Data	915500#	Set this field's value to its default. Press # to exit.
Enter section	404	Panel ID code.
Enter Hex Data	915500#	Set this field's value to its default. Press # to exit.
Enter section	405	Double call timer address
Enter Data	000#	Disable double call.
Enter section	406	Number of rings address
Enter Data	001#	Set the panel to answer on the first ring.

Contact ID

A P P E N D I X A

The Partition ID Codes must be 4 digits. All reporting codes must be 2 digits.

The following is a list of Contact ID reporting codes. The first digit (in parentheses) will automatically be sent by the control. The last two digits are programmed to indicate specific information about the signal.

For example, if zone 1 is an entry/exit point, the alarm reporting code could be programmed as [34]. The central station would receive the following:

*BURG - ENTRY/EXIT - 1

In the above example, the *1* indicates which zone went into alarm.



Do not program the following reporting codes: Opening After Alarm, Recent Closing and Event Buffer 75% Full.



When using a 2-wire smoke and Contact ID, the zone number will be identified as 99.

Event Codes (as per ADEMCO):

Medical Alarms

- (1)AA Medical
- (1)A1 Pendant Transmitter
- (1)A2 Fail to Report In

Fire Alarms

- (1)1A Fire Alarm
- (1)11 Smoke
- (1)12 Combustion
- (1)13 Water Flow
- (1)14 Heat
- (1)15 Pull Station
- (1)16 Duct
- (1)17 Flame
- (1)18 Near Alarm

Panic Alarms

- (1)2A Panic
- (1)21 Duress
- (1)22 Silent
- (1)23 Audible

Burglar Alarms

- (1)3A Burglary
- (1)31 Perimeter
- (1)32 Interior
- (1)33 24 Hour
- (1)34 Entry / Exit
- (1)35 Day / Night
- (1)36 Outdoor
- (1)37 Tamper
- (1)38 Near Alarm

General Alarms

- (1)4A General Alarm
- (1)43 Exp. module failure
- (1)44 Sensor tamper
- (1)45 Module Tamper

24 Hour Non-Burglary

- (1)5A 24 Hour non-Burg
- (1)52 Refrigeration
- (1)53 Loss of Heat
- (1)54 Water Leakage
- (1)55 Foll Break
- (1)56 Day Trouble
- (1)57 Low bottled Gas level
- (1)58 High Temp
- (1)59 Low Temp
- (1)61 Loss of Air Flow

Fire Supervisory

- (2)AA 24 Hour non-Burg
- (2)A1 Low Water Pressure
- (2)A2 Low CO2
- (2)A3 Gate Valve Sensor
- (2)A4 Low water level
- (2)A5 Pump activated
- (2)A6 Pump failure

System Troubles

- (3)AA System Trouble
- (3)A1 AC Loss
- (3)A2 Low System Battery
- (3)A3 RAM checksum bad*
- (3)A4 ROM checksum bad*
- (3)A5 System Reset*
- (3)A6 Panel prog. changed*
- (3)A7 Self-test failure
- (3)A8 System Shutdown
- (3)A9 Battery Test Failure
- (3)1A Ground Fault

Sounder / Relay Troubles

- (3)2A Sounder / Relay
- (3)21 Bell 1
- (3)22 Bell 2
- (3)23 Alarm Relay
- (3)24 Trouble Relay
- (3)25 Reversing

System Peripheral Troubles

- (3)3A System Peripheral
- (3)31 Polling Loop Open
- (3)32 Polling Loop Short
- (3)33 Exp. Module Failure
- (3)34 Repeater Failure
- (3)35 Local Printer Paper Out
- (3)36 Local Printer Failure

Communication Troubles

- (3)5A Communication
- (3)51 Telco 1 Fault
- (3)52 Telco 2 Fault
- (3)53 Lng-Rnge Rad. xmtr. fault
- (3)54 Fail to Communicate
- (3)55 Loss of radio super.
- (3)56 Loss of central polling

Protection Loop Troubles

- (3)7A Protection Loop
- (3)71 Protection Loop open
- (3)72 Protection Loop short
- (3)73 Fire Trouble

Sensor Troubles

- (3)8A Sensor Trouble
- (3)81 Loss of super. RF
- (3)82 Loss of super. RPM
- (3)83 Sensor Tamper
- (3)84 RF xmtr. low batter

Open / Close

- (4)AA Open / Close
- (4)A1 O / C by User
- (4)A2 Group O / C
- (4)A3 Automatic O / C
- (4)A4 Late to O / C
- (4)A5 Deferred O / C
- (4)A6 Cancel
- (4)A7 Remote Arm / Disarm
- (4)A8 Quick Arm
- (4)A9 Keyswitch O / C

Remote Access

- (4)11 Callback request made*
- (4)12 Successful Download zaccess*
- (4)13 Unsuccessful access*
- (4)14 System Shutdown
- (4)15 Dialer Shutdown

Access Control

- (4)21 Access denied
- (4)22 Access report by user

System Disables

- (5)AA-(5)1A

Sounder / Relay Disables

- (5)2A Sounder / Relay disable
- (5)21 Bell 1 disable
- (5)22 Bell 2 disable
- (5)23 Alarm relay disable
- (5)24 Trouble relay disable
- (5)25 Reversing relay disable

System Peripheral Disables

- (5)3A-54A

Communication Disables

- (5)51 Dialer disabled
- (5)52 Radio xmtr. disabled

Bypasses

- (5)7A Zone bypass
- (5)71 Fire bypass
- (5)72 24 Hour zone bypass
- (5)73 Burg bypass
- (5)74 Group bypass

Test / Misc.

- (6)A1 Manual Trigger Test*
- (6)A2 Periodic Test report*
- (6)A3 Periodic RF xmission*
- (6)A4 Fire test*
- (6)A5 Status report to follow*
- (6)A6 Listen-in to follow
- (6)A7 Walk test mode

* Restore not applicable