



To download the full Installation Manual and register your product, please visit [dsc.com/m/29009553](http://dsc.com/m/29009553) scan the QR code to the right.



**TL280LE(R)**  
Internet and LTE/HSPA Dual-Path Alarm  
Communicator

**LE2080(R)**  
LTE/HSPA Alarm Communicator

**3G2080(R)E**  
HSPA Cellular Alarm Communicator

**TL2803G(R)E**  
Internet and HSPA Dual-Path Alarm Communicator

**TL280(R)E**  
Internet Alarm Communicator



**Installation Guide 5.x**

**Warning:** This manual contains information on limitations regarding product use and function and information on the limitations as to the liability of the manufacturer. The entire manual should be carefully read.

**Please note that not all models and features listed are available in all markets.**

## **WARNING: Installer please read carefully**

### **Note to Installers**

The warnings on this page contain vital information. As the only individual in contact with system users, it is the installer's responsibility to bring each item in this warning to the attention of all users of this system.

### **System Failures**

This system has been carefully designed to be as effective as possible. There are circumstances, however, involving fire, burglary, or other types of emergencies where it may not provide protection. Any alarm system of any type may be compromised deliberately or may fail to operate as expected for a variety of reasons. Some, but not all, of the reasons may be:

### **Access by Intruders**

Intruders may enter through an unprotected access point, circumvent a sensing device, evade detection by moving through an area of insufficient coverage, disconnect a warning device, or interfere with or prevent the proper operation of the system.

### **Component Failure**

Although every effort has been made to make this system as reliable as possible, the system may fail to function as intended due to the failure of a component.

### **Compromise of Radio Frequency (Wireless) Devices**

Signals may not reach the receiver under all circumstances which could include metal objects placed on or near the radio path or deliberate jamming or other inadvertent radio signal interference.

### **Criminal Knowledge**

This system contains security features which were known to be effective at the time of manufacture. It is possible for persons with criminal intent to develop techniques which reduce the effectiveness of these features. It is important that the security system be reviewed periodically to ensure that its features remain effective and that it is updated or replaced if it is found that it does not provide the protection expected.

### **Failure of Replaceable Batteries**

This system's wireless transmitters have been designed to provide several years of battery life under normal conditions. The expected battery life is a function of the device environment, usage, and type. Ambient conditions such as high humidity, high or low temperatures, or large temperature fluctuations may reduce the expected battery life. While each transmitting device has a low battery monitor which identifies when the batteries need to be replaced, this monitor may fail to operate as expected. Regular testing and maintenance will keep the system in good operating condition.

### **Inadequate Installation**

A security system must be installed properly in order to provide adequate protection. Every installation should be evaluated by a security professional to ensure that all access points and areas are covered. Locks and latches on windows and doors must be secure and operate as intended. Windows, doors, walls, ceilings and other building materials must be of sufficient strength and construction to provide the level of protection expected. A reevaluation must be done during and after any construction activity. An evaluation by the fire and/or police department is highly recommended if this service is available.

### **Inadequate Testing**

Most problems that would prevent an alarm system from operating as intended can be found by regular testing and maintenance. The complete system should be tested weekly and immediately after a break-in, an attempted break-in, a fire, a storm, an earthquake, an accident, or any kind of construction activity inside or outside the premises. The testing should include all sensing devices, keypads, consoles, alarm indicating devices, and any other operational devices that are part of the system.

### **Insufficient Time**

There may be circumstances when the system will operate as intended, yet the occupants will not be protected from an emergency due to their inability to respond to the warnings in a timely manner. If the system is remotely monitored, the response may not occur in time to protect the occupants or their belongings.

### **Motion Detectors**

Motion detectors can only detect motion within the designated areas as shown in their respective installation instructions. They cannot discriminate between intruders and intended occupants. Motion detectors do not provide volumetric area protection. They have multiple beams of detection and motion can only be detected in unobstructed areas covered by these beams. They cannot detect motion which occurs behind walls, ceilings, floor, closed doors, glass partitions, glass doors or windows. Any type of tampering whether intentional or unintentional such as masking, painting, or spraying of any material on the lenses, mirrors, windows or any other part of the detection system will impair its proper operation.

Passive infrared motion detectors operate by sensing changes in temperature. However their effectiveness can be reduced when the ambient temperature rises near or above body temperature or if there are intentional or unintentional sources of heat in or near the detection area. Some of these heat sources could be heat-

ers, radiators, stoves, barbecues, fireplaces, sunlight, steam vents, lighting and so on.

### **Power Failure**

Control units, intrusion detectors, smoke detectors and many other security devices require an adequate power supply for proper operation. If a device operates from batteries, it is possible for the batteries to fail. Even if the batteries have not failed, they must be charged, in good condition and installed correctly. If a device operates only by AC power, any interruption, however brief, will render that device inoperative while it does not have power. Power interruptions of any length are often accompanied by voltage fluctuations which may damage electronic equipment such as a security system. After a power interruption has occurred, immediately conduct a complete system test to ensure that the system operates as intended.

### **Security and Insurance**

Regardless of its capabilities, an alarm system is not a substitute for property or life insurance. An alarm system also is not a substitute for property owners, renters, or other occupants to act prudently to prevent or minimize the harmful effects of an emergency situation.

### **Smoke Detectors**

Smoke detectors that are a part of this system may not properly alert occupants of a fire for a number of reasons, some of which follow. The smoke detectors may have been improperly installed or positioned. Smoke may not be able to reach the smoke detectors, such as when the fire is in a chimney, wall or roof, or on the other side of closed doors. Smoke detectors may not detect smoke from fires on another level of the residence or building.

Every fire is different in the amount of smoke produced and the rate of burning. Smoke detectors cannot sense all types of fires equally well. Smoke detectors may not provide timely warning of fires caused by carelessness or safety hazards such as smoking in bed, violent explosions, escaping gas, improper storage of flammable materials, overloaded electrical circuits, children playing with matches, or arson. Even if the smoke detector operates as intended, there may be circumstances when there is insufficient warning to allow all occupants to escape in time to avoid injury or death.

### **Telephone Lines**

If telephone lines are used to transmit alarms, they may be out of service or busy for certain periods of time. Also an intruder may cut the telephone line or defeat its operation by more sophisticated means which may be difficult to detect.

### **Warning Devices**

Warning devices such as sirens, bells, horns, or strobes may not warn people or waken someone sleeping if there is an intervening wall or door. If warning devices are located on a different level of the residence or premise, then it is less likely that the occupants will be alerted or awakened. Audible warning devices may be interfered with by other noise sources such as stereos, radios, televisions, air conditioners, other appliances, or passing traffic. Audible warning devices, however loud, may not be heard by a hearing-impaired person.

## General

This installation manual shall be used in conjunction with the control panel manual. All the safety instructions specified within that manual shall be observed. The control panel is referenced as the "panel" throughout this document. This installation guide provides the basic wiring, programming and troubleshooting information.

This alarm communicator is a fixed, wall-mounted unit, and shall be installed in the location specified in these instructions. The equipment enclosure must be fully assembled and closed, with all the necessary screws/tabs, and secured to a wall before operation. Internal wiring must be routed in a manner that prevents:

- Excessive strain on wire and on terminal connections,
- Interference between power limited and non power limited wiring,
- Loosening of terminal connections, or
- Damage of conductor insulation.

**WARNING: Never install this equipment during a lightning storm!**

## Safety Information

The installer must instruct the system user on each of the following:

- Do not attempt to service this product. Opening or removing covers may expose the user to dangerous voltages or other risks.
- Any servicing shall be referred to service persons only.
- Use authorized accessories only with this equipment.
- Do not stay close to the equipment during device operation.
- Do not touch the external antenna.

## Model Information

This manual covers the following models of alarm communicators:

Models **TL2803GRE-EU, TL2803GE-EU, TL280RE-EU, TL280E-EU, 3G2080RE-EU, 3G2080E-EU (900/2100MHz operation)** and **3G2080E-EU** are for Europe and cover the following bands: 900 / 2100MHz.

Models **TL2803GRE-AU, TL2803GE-AU, TL280RE-AU, TL280E-AU, 3G2080E-AU** and **3G2080RE-AU (850/2100MHz operation)** are for Australia, New Zealand, Brazil and cover the following bands: 850 / 2100MHz.

**NOTE:** Only models **TL2803GE-AU** and **3G2080E-AU** are Anatel certified for use in Brazil.

Models **TL2803GRE, TL2803GE, TL280RE, TL280E, 3G2080RE** and **3G2080E (850/1900MHz operation)** are for North and South America (excluding Brazil) and cover the following bands: 850 / 1900MHz.

**NOTE:** Only models TL2803GE and 3G2080E are CNC certified for use in Argentina.

Models **TL280LER, TL280LE, LE2080R, LE2080** are for North America and support LTE bands B2, B4, B5, B12 and B13 and WCDMA bands B2 and B5.

Band	Transmit Band (Tx)	Receive Band (Rx)
LTE B2	1850 - 1910 MHz	1930 - 1990 MHz
LTE B4	1710 - 1755 MHz	2110 - 2155 MHz
LTE B5	824 - 849 MHz	869 - 894 MHz
LTE B12	698 - 716 MHz	728 - 746 MHz
LTE B13	777 - 787 MHz	746 - 756 MHz
UMTS B2	1850 - 1910 MHz	1930 - 1990 MHz
UMTS B5	824 - 840 MHz	869 - 894 MHz

References to model names **TL280(R)E, TL2803G(R)E, 3G2080(R)E, TL280LE(R)** and **LE2080(R)** throughout this manual apply to all specified models unless stated differently. Models ending in "R" include a built-in RS-232 interface for connecting to local third party applications.

The **TL280(R)E/TL2803G(R)E/3G2080(R)E/TL280LE(R)/LE2080(R)** supports integration over cellular/IP, available with licensed 3rd party product solutions. Specific programming for the related programming sections is to be provided by the 3rd party. A current list of compatible 3rd party solutions can be found at [www.dsc.com](http://www.dsc.com).

**3G2080(R)E:** Is a HSPA (3G) cellular alarm communicator that sends alarm communication to Sur-Gard System I-IP, II, III (SG-DRL3IP), IV (SG-DRL4IP), and 5 (SG-DRL5IP) central station receivers via a HSPA(3G)/GPRS digital cellular net-

work. **TL2803G(R)E**: Is a dual-path HSPA(3G) Ethernet alarm communicator that sends alarm communication to Sur-Gard System -IP, I, II, III, IV, and 5 central station receivers through Ethernet/Internet or a HSPA(3G)/GPRS digital cellular network.

**TL280(R)E**: Is an Ethernet alarm communicator that sends alarm communication to Sur-Gard System I-IP, II, III (SG-DRL3IP), IV (SG-DRL4IP), and 5 (SG-DRL5IP) central station receivers via Ethernet/Internet.

**LE2080(R)**: is an LTE (4G) cellular alarm communicator with HSPA(3G) fallback support that sends alarm communications to Sur-Gard System I-IP, II, III (SG-DRL2IP, IV (SG-DRL4IP) and 5 (SG-DRL5IP) central station receivers via an LTE (4) /HSPA(3G) digital cellular network.

**TL280LER**: Is a dual path LTE (4G) Ethernet alarm communicator that sends alarm communications to Sur-Gard System I-IP, II, III (SG-DRL3IP, IV (SG-DRL4IP) and 5 (SG-DRL5IP) central station receivers via Ethernet/Internet or a LTE(4)/HSPA (3G) digital cellular network.

The communicator can be used as either a backup or primary communicator. The communicator supports Internet Protocol (IP) transmission of panel and communicator events over Ethernet/Internet and/or HSPA/GPRS.

The cellular performance of the **LE2080(R)**, **TL280LE(R)**, **3G2080(R)E** or **TL2803G(R)E** communicators depend greatly on the LTE(4G)/HSPA(3G) network coverage in the local area. The unit should not be mounted in the final location without first performing the communicator placement test below to determine the best location for radio reception (minimum of one green LED ON). Optional antenna kits (GS-15ANTQ, GS-25ANTQ, GS-50ANTQ) are available from DSC to improve signal strength as required.

**NOTE:** Prior to installation, confirm with the local service provider that the network is available and active in the area where the communicator will be installed, and that radio signal strength (CSQ) is adequate.

## Panel Mounting

The following communicators are compatible with HS2016, HS2016-4, HS2032, HS2064, and HS2128 panels:

- **3G2080(R)E** (HSPA(3G)/GPRS only)
- **TL2803G(R)E** (Ethernet/Internet + HSPA(3G)/GPRS dual-path)
- **TL280(R)E** (Ethernet/Internet only)
- **LE2080(R)** (LTE(4G)/HSPA(3G) only)
- **TL280LE(R)** (Ethernet/Internet + LTE(4G)/HSPA(3G))

## Features

- 128-bit AES encryption via cellular and Ethernet/Internet
  - NIST validation cert number 2645 (for models TL2803G(R)E/3G2080(R)E/TL280(R)E
  - NIST validation cert number 4475 (for models TL280LE(R)/LE2080(R))
- Backup or primary cellular alarm communication.
- Automatically switches to 2G (EDGE/GPRS) if HSPA(3G) service is not available (2G not supported on LTE models).
- Automatically switches from LTE to HSPA(3G) service if LTE service is not available.
- Ethernet LAN/WAN 10/100 BASE-T (TL2803G(R)E, TL280(R)E, TL280LE(R) only).
- Fully redundant Ethernet/Internet and cellular dual-path alarm communication (TL2803G(R)E, TL280LE(R) only).
- Full event reporting to central station.
- Individual Internet and/or cellular periodic test transmission.
- Integrated call routing.
- Visual Verification (Requires Sur-Gard System 5 Receiver)
- Remote firmware upgrade capability of the communicator and panel firmware via Ethernet and/or cellular.
- Panel remote uploading/downloading support via cellular and Ethernet/Internet.
- PC-LINK connection.
- Programmable labels.
- SIA and Contact ID (CID) formats supported.
- Signal strength and trouble display LEDs.
- Supervision heartbeats sent via cellular and Ethernet/Internet.
- Third party integration over cellular/IP. The product supports third-party application via serial (R-models only), cellular and, Ethernet. Refer to third-party application documentation for more information.

**NOTE:** RS-232 connection is for supplementary user only and was not evaluated by UL/ULC.

## Technical Specifications

The TL2803G(R)E/TL280LE(R) are also suitable to be used with a compatible control unit listed for dual line security transmission when used in conjunction with a DACT or a Public Switched Data Network (PSDN) transmitter, where the PSDN provides the line security and is the primary line. In this mode, alarm signals are to be sent simultaneously over both communication methods.

## EN50131-1 Installation Requirements

For EN50131-1 compliant installations, the following programming options shall be set as described. Supervision Heart beat (required for ATS4 and ATS5):

- **[851][004]** set to 0087h (135s heartbeat).

**NOTE:** The compatible receiver at ARC location shall have supervision window programmed for 1800s (ATS4) or 180s (ATS5).

- **[851][005]** options 1, 2 and 3 shall be enabled.
- **[851][005]** option 8 shall be enabled.

Test transmission (required for ATS3):

- **[851]** System Test options [026-029] shall be enabled (FF) for the communication paths available.
- **[851][124-125]** and **[224-225]** shall be programmed with time of day for test transmission and 1440 minutes (24h) for test transmission cycle

Configuration of communication paths (all ATS classes)

- **[300][001]** select option 02 for auto routing (this will allow transmission of the events over all available communication paths in the system)
- **[380]** enable option 5 (YES) for parallel transmission over all available communication paths (if redundant configuration is desired)
- **[382]** enable option 5 (YES) to enable Alternate communicator
- **[384]** enable the desired back-up configuration (receiver 2 back-up for receiver 1 or receiver 3 back-up for receiver 1).

## Ratings Compatibility

Table 1: Communicator Ratings

Model	3G2080(R)E/LE2080(R) Cellular only	TL280(R)E Internet only	TL2803G(R)E/TL280LE(R) Internet and Cellular
<b>Power Supply Ratings</b>			
Input Voltage	10.8-12.5 VDC Power is supplied from the panel's PC-Link header or a PCL-422 module in remote cabinet installations. In remote cabinet installations, the PCL-422 module located with the communicator is powered by either an HSM2204 or an HSM2300. Refer to the PCL-422 installation instructions for details.		
<b>Current Consumption</b>			
Standby Current	90mA	100mA	120mA
Alarm (Transmitting) Current	400mA		
Operating Frequency	850MHz, 900MHz, 1800MHz, 1900MHz, 2100MHz		
Typical Antenna Gain	2dBi		
<b>Environmental Specifications</b>			
Operating Temperature	-10°C to 55°C (0°C to 49°C for UL/ULC)		
Humidity	5% ~ 93% relative humidity, non-condensing		
<b>Mechanical Specifications</b>			
Board Dimensions (mm)	100 × 150 × 15	100 × 150 × 15	100 × 150 × 15
Weight (grams) with bracket	310	300	320

Table 2: Compatible Receivers and Panels

Communicator	Receiver/Panel	Description
3G2080(R)E LE2080(R) TL2803G(R)E TL280LE(R) TL280(R)E	Receiver	<ul style="list-style-type: none"> <li>• Sur-Gard System I-IP Receiver, version 1.13+</li> <li>• Sur-Gard System II Receiver, version 2.10+</li> <li>• Sur-Gard SG-DRL3-IP, version 2.30+ (for Sur-Gard System III Receiver)</li> <li>• Sur-Gard SG-DRL4-IP version 1.20+ (for Sur-Gard System IV Receiver)</li> <li>• Sur-Gard SG-DRL5-IP version 1.00+ (for Sur-Gard System 5 Receiver)</li> </ul>
	Panel	<ul style="list-style-type: none"> <li>• HS2016</li> <li>• HS2016-4</li> <li>• HS2032</li> <li>• HS2064</li> <li>• HS2128</li> </ul>

**NOTE:** Enter [\*][8][Installer Code][900] at keypad to view the panel version number.

## Pre Installation Configuration

### Encryption

The communicator uses 128 Bit AES encryption. Encryption can only be enabled from the monitoring station receiver. Each receiver (Ethernet 1 and 2, Cellular 1 and 2) can independently have encryption enabled or disabled. When encryption is enabled, the central station will configure the device to encrypt communications the next time the communicator module performs a communication to that receiver.

**NOTE:** Packets will start being encrypted only after the next event is sent to that receiver, or if the unit is restarted.

**Before leaving the installation site, the communicator TL2803(R)E / TL280LE(R) Ethernet line shall be connected via an APPROVED (acceptable to the local authorities) Network Interface Device (NID). All wiring shall be performed according to the local electrical codes.**

## Communicator Installation Configuration

This alarm communicator shall be installed by service persons only (service person is defined as a person having the appropriate technical training and experience necessary to be aware of hazards to which that person may be exposed to in performing a task and can also take measures to minimize the risks to that person or other persons). The Communicator shall be installed and used within an environment that provides the pollution degree max 2, overvoltages category II, in non-hazardous, indoor locations only. This manual shall be used with the installation manual of the panel which is connected to the communicator. All instructions specified within the panel manual must be observed.

All the local rules imposed by local electrical codes shall be observed and respected during installation.

### Installing the Ethernet Cable (TLXXXX Models Only)

A Category 5 (CAT 5) Ethernet cable must be run from a source with Internet connectivity to the communicator module, inside the panel. The communicator end of the cable must be terminated with an RJ45 plug, which will connect to the communicator's RJ45 jack after the communicator is installed. All requirements for installation of CAT5 Ethernet cable must be observed for correct operation of the communicator, including, but not limited to, the following:

- Do NOT strip off cable sheathing more than required for proper termination.
- Do NOT kink/knot cable.
- Do NOT crush cable with cable ties.
- Do NOT untwist CAT5 pairs more than ½ in. (1.2cm).
- Do NOT splice cable.
- Do NOT bend cable at right angles or make any other sharp bends.

**NOTE:** CAT5 specification requires that any cable bend must have a minimum 2 in. (5 cm) bend radius. Maximum length of CAT 5 cable is 328 ft. (100 m).

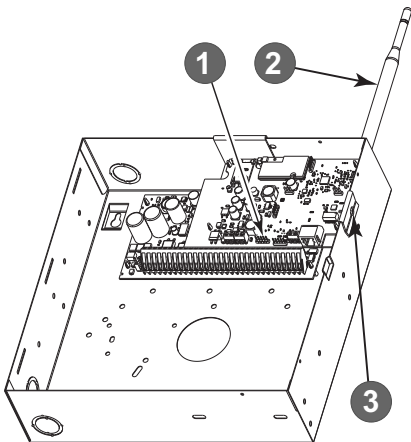


Item	Description
1	External Antenna Screw Thread
2	Brass Nut
3	Brass Washer
4	Nylon Washer (flat)
5	Antenna Mounting Tab
6	Nylon Washer with bushing (thicker flat washer)
7	Antenna Cable
8	Mounting Holes
9	Mounting Plate
10	Communicator Board
11	Stand Off

2. Install the Communicator into the panel:
  - a. Attach one end of the PC-LINK cable to the panel PCLINK\_2 header on the panel (red wire goes on the right-hand pin of the **panel** PCLINK\_2 header (see **Figure 3**)).
  - b. Insert the assembled communicator into the panel.
 

**NOTE:** Ensure that the threaded antenna connection point is visible through the knockout hole at the top right of the panel.
  - c. Place the nylon washer with bushing (thick flat washer) onto the threaded section of the antenna cable. Insert the threaded section through the antenna mounting knockout hole at top right of panel.
  - d. Place the second nylon washer (flat), followed by the brass washer and the brass nut, onto the threaded section of the cable, **outside** the panel. Tighten the assembly by hand only (finger tight only- do not over tighten the antenna assembly).
  - e. Locate the screw hole on the right side wall of the panel. See **Figure 2** "screw". Line up the assembled communicator with the right side wall of the panel and, using the screw provided, secure the mounting bracket to the panel.
  - f. Attach the other end of the PC-LINK cable to the communicator (red wire goes on the right-hand pin of the **communicator** PC-LINK header (See **Figure 3**)).
  - g. Using light pressure (finger tight only), attach the supplied white quad band whip antenna to the threaded antenna connection point at top of the panel.

Figure 2: HS2016/2016-4/2032/2064/2128 Control Panel



Item	Description
1	PC-Link Cable Connector
2	Quad Band Whip Antenna - Use light pressure to attach antenna <b>finger tight</b> only
3	Screw

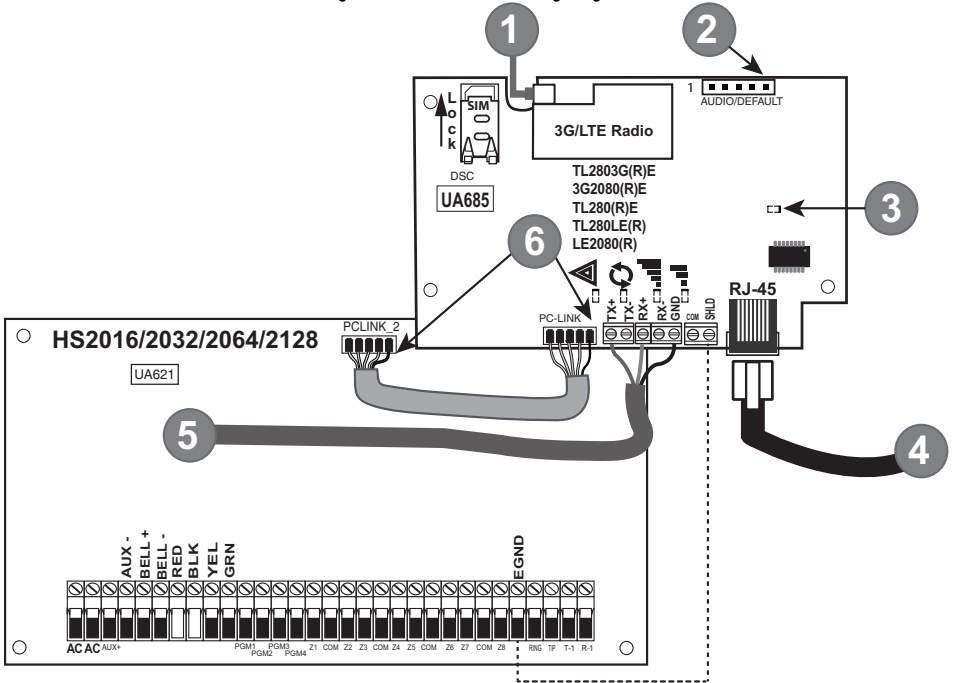
**WARNING!** - 3G2080(R)/E/TL2803G(R)/E/LE2080(R)/TL280LE(R) modules are power limited. Do not route any wiring over the circuit board. Maintain at least 1in. (25.4mm) separation between circuit board and wiring. A minimum of ¼ in. (7mm) separation must be maintained at all points between non-power limited wiring and power limited wiring.



3. To electrically connect the communicator to the panel, perform the following steps (See **Figure 3**):
  - a. Disconnect both AC power and battery connections from the panel, and disconnect telephone line.
  - b. Confirm that the SIM card is inserted in the holder and locked.
4. Install Network Cable (TLXXX models only). Route the CAT 5 Ethernet cable through back of the panel and plug it into the communicator's RJ45 jack.

**NOTE:** Before leaving the premises the Ethernet communication lines must first be connected to an approved (acceptable to local authorities) type NID. All wiring shall be performed according to the local electrical codes.

Figure 3: Communicator Wiring Diagram



Item	Description
1	To External Antenna
2	AUDIO / DEFAULT Jumper pins 4 and 5 to reset
3	Network Link - Yellow
4	From NID use only CAT5 supervised maximum cable length 100m (328 feet)
5	RS-232 to third party device
6	RED Wire

**Input Ratings:**

- +10.8V ~ +12.5VDC
- 90mA 3G2080(R/E)/120mA TL2803G(R/E) standby
- 90mA 3G2080(R/E)/LE2080(R)
- 120mA TL2803G(R/E)/TL280LE(R)
- 100mA TL280(R/E)
- 400mA alarm

**DSC Panel minimum power requirements:**

- 16.5 VAC 40 VA transformer
- 12 VDC 7Ah battery

5. Install the RS-232 connections (R models only). If using the communicator with a 3rd party device, wire the connections as per the table below:

Table 3: RS-232 Connections

3rd Party Device	Communicator
TX (RED)*	RX+
Unused	RX-
RX (GRN)*	TX+
Unused	TX-
GND (BLK)*	GND

\*Wire colors based on the cable provided in the product box.

6. Perform the following steps for initial power on of the panel with communicator installed:
  - a. Reconnect the AC power, telephone line, and battery + connector to the panel.  
(The communicator and panel will power up together).
  - b. Observe that the communicator's red and yellow LEDs are flashing together while it initializes. The red and yellow LEDs will continue to flash until the communicator has successfully communicated to all programmed receivers.

**NOTE:** During radio reset, the two green LEDs will flash alternately.

**NOTE:** Initialization may take several minutes to complete. Red and yellow LEDs will flash together during initialization. Do not continue to next step until the red and yellow LEDs have stopped flashing. (If only the yellow LED is flashing, there is a communicator trouble and the green LEDs are not valid for communicator placement test). Correct trouble indicated by flashes on yellow LED before continuing. (See Table 7 for troubleshooting assistance).

7. Perform the communicator placement test below.
8. Mount the panel in final location indicated by placement test.

## Communicator Placement Test

### Cellular Communicator Models Only

To confirm that the cellular antenna location is suitable for radio operation, perform the placement test as follows:



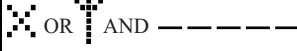
**NOTE:** It might be necessary to relocate the panel or install an optional extension antenna during this procedure, if the radio signal strength is too low.

1. Confirm that the yellow LED on the communicator is not flashing. A flashing yellow LED indicates trouble on the communicator. See Table 7 to troubleshoot and correct the cause of this trouble before continuing to the next step.
2. Confirm that the strength of the radio signal on the yellow LED and the 2 green LEDs on the communicator meet or exceed the minimum signal level requirement. Minimum signal level: The yellow LED is **OFF** and the green LED 1 **■■■** (furthest from the yellow LED) is **ON** (i.e., not flashing) for the panel location to be acceptable. For interpretation of receiver strength on LEDs, refer to the table "Radio Signal Strength".

### Cellular Signal Strength Display - LCD Keypad only

The cellular network signal strength can be checked on the keypad LCD screen by entering installer programming section [850]. The LCD will indicate the SIM card activation status followed by up to five bars of signal strength. This display will automatically update every three seconds. For the relationship between signal strength bars, CSQ level, and signal level in dBm, refer to "Radio Signal Strength".

Table 4: Signal Strength Display

Description	Display
SIM card active and current signal strength	
SIM card inactive and current signal strength	
Radio not registered	

**NOTE:** If the required signal strength is too low with the panel in its current location, the panel must be relocated or an external antenna is required.

If required, the following cellular extension antenna kits are available to the installer:

- GS-15ANTQ - 4.57m (15') internal antenna extension kit (suitable for interior mounting).
- GS-25ANTQ - 7.62m (25') external antenna extension kit (suitable for interior/exterior mounting).

- GS-50ANTQ - 15.24m(50') external antenna extension kit (suitable for interior/exterior mounting). Specific instructions for the installation of the extension antenna are included with the kit. Observe all the electrical safety instructions regarding the installation of the antenna. All the wiring of the equipment shall be fully compliant with the local rules and regulations.

3. If required, install the antenna extension and perform the following steps to determine the best location for placement of the antenna:
  - a. Disconnect the white whip antenna from the panel.
  - b. Attach one end of the antenna extension cable to the threaded antenna connector on the panel and the other end to the external antenna.
4. Move the extension antenna to various locations while observing the two green LEDs on the panel.
  - a. Continue to reposition the extension antenna until it receives an acceptable (minimum one green LED ON solid) signal strength.  
**NOTE:** Minimum strength is: ■■ green LED 1 flashing and ▲ yellow LED off. If green LED 1 is flashing, relocation should be considered.
  - b. Mount the supplied antenna extension bracket at the location that provides the best signal strength.
5. Alternately, reposition the panel to improve signal strength. Dismount the panel and move it to another location to achieve the required signal strength. If the panel is relocated to improve signal strength, mount it in the new location.
6. When final panel/antenna location is determined, continue at the **Initial Panel Programming** section.

**NOTE:** If the SIM card is not activated, placement test will indicate the signal strength of the nearest cellular tower.

**NOTE:** In between displaying signal strength, the signal strength LEDs will flash alternately if an inactive SIM card is used. The flashing indicates that the module is attempting to attach to the cellular network and will only last briefly.

## Initial Panel Programming

### Keypad Data Display

- **Section-Toggle Options:** The number is displayed when toggle is ON and the number is not displayed when toggle is OFF. (e.g., toggle options displays: [-3--6--]. Options 3 and 6 are ON, all others are OFF). Pressing keys 1 through 8 will alternately turn the toggle ON and OFF.
- **HEX/Decimal Data:** Values that are provided with two defaults, separated by a "/" character, use the format: hexadecimal followed by decimal equivalent (e.g., default [0BF5/3061]). Hexadecimal numbers are shown, with all leading zeroes, to the full field length defined for the number.

### Entering HEX values at keypad

To enter HEX values at the keypad, press the \* key before entering the HEX value. (e.g., to enter "C" at the keypad, press [\*][3])

### Entering ASCII Characters at keypad

1. Press [\*] and use scroll buttons [<][>] to display "ASCII Entry" on the LCD screen.
2. Press [\*] to select ASCII entry mode.
3. Use the [<][>] scroll keys to display the desired character and press [\*] to save and exit ASCII.
4. Repeat the steps above to enter another ASCII character.

### HS2016/2016-4/2032/2064/2128 Initial Programming

For detailed information, refer to panel manual section 'Alternate Communicator Set-up'. These sections must be programmed at the panel keypad. Enter [\*][8][Installer Code][Section Number]. Record any values that are modified from their default, in the appropriate worksheets for the panel or communicator.

1. In panel section [377] 'Communication Variables', subsection [002] 'Communication Delays', sub-subsection [1] 'Communication Delay', program 060 (seconds).
2. In panel section [382] 'Communicator Option 3' set option [5] ON.

**NOTE:** If this option is OFF, the yellow status LED on the communicator will indicate 'Panel Supervision Trouble' (2 flashes) and the unit can not be programmed via the PC-LINK cable.

### Activating the Communicator with C24 Communications

Installation of the 3G2080(R)E / LE2080(R) or TL2803G(R)E / TL280LE(R) in North America requires activation with C24 Communications in order to operate. Please contact the central station (C24 Communications Master Reseller) to confirm the required steps to activate / program the communicator.

All communicator options must be programmed via C24 Communications, except the following Ethernet options which can also be programmed using the keypad or DLS:

- [001] Ethernet IP Address
- [002] Ethernet IP Subnet Mask
- [003] Ethernet Gateway IP Address

**NOTE:** The SIM activation with the carrier can take several hours to complete. It is recommended the activation be completed prior to arrival on the customer site to avoid possible installation delays.

Once the SIM activation is complete, the communicator will automatically connect and download its programming from C24 Communications.

## Communicator Status LEDs

The communicator has four on-board LED indicators. These include one yellow trouble LED, one red network connection status LED and two green signal strength LEDs. The LED meaning is described in this section.

### ▲ Yellow Trouble LED

This yellow LED will flash to indicate a trouble on the unit. The number of flashes indicates the type of trouble. See the table below for the coded flashes and the conditions which will activate the trouble status LED.

Table 5: Yellow Trouble Status LED

# of Flashes	Trouble	# of Flashes	Trouble
2	Panel Supervision Trouble	7	Receiver Not Available Trouble
4	Not Applicable	8	Receiver Supervision Trouble
5	Cellular Trouble	9	FTC Trouble
6	Ethernet Trouble	12	Module Configuration Trouble

**NOTE:** Only the highest priority trouble (2 flashes is the highest priority trouble) is indicated. When this trouble is restored, the next highest trouble will indicate, if present. This will continue until all troubles have been cleared (yellow LED is not flashing).

The following paragraphs describe the conditions associated with each trouble:

### Panel Supervision Trouble (2 Flashes)

This trouble will be indicated when communication between the communicator module and the panel fails. If the module can not communicate with the panel (e.g., loss of power to the panel) the communicator will send the 'Panel Absent Trouble Event' message to the central station receiver. When communication returns, a 'Panel Absent Restore Event' is sent by the communicator to the central station receiver. The reporting codes are ET0001 for trouble and ER0001 for restore. The panel absent event always uses the primary receiver account code when communicating to the central station.

**NOTE:** The panel supervision trouble/restore are internally generated events by the communicator. Trouble is generated if the communicator misses 6 polls. Trouble is restored on receipt of first poll from the panel.

### Cellular Trouble (5 Flashes)

This trouble is indicated for any of the following 4 conditions:

1. **Radio Failure:** Trouble is indicated after 8 failed attempts to communicate with the cellular radio.
2. **SIM Failure:** Trouble is indicated after 10 failed attempts to communicate with the SIM.
3. **Cellular Network Trouble:** Trouble is indicated for loss of the registration to the network provider.
4. **Insufficient Signal Strength:** Trouble is indicated if calculated average signal strength is too low. (Both green LEDs are OFF). Trouble will clear when the calculated average signal strength is above minimum (i.e., > CSQ 5).

**NOTE:** If Option [851][005] Bit 8 is Off, CSQ less than or equal to 4 will not trigger Cellular Trouble

### Ethernet Trouble (6 Flashes)

This trouble is indicated when an Ethernet link between the transmitter and the local switch or router is absent. This trouble will also be indicated if the unit fails to get Dynamic Host Control Protocol (DHCP) settings from the DHCP server. (Not active if Ethernet receivers are not programmed).

### Receiver Not Available (7 Flashes)

This trouble is indicated if the unit is not able to successfully initialize with any of the programmed receivers. Unprogrammed receivers are excluded. This trouble is also indicated if the cellular receiver APNs have not been programmed in sections [205] and [215].

### Receiver Supervision Trouble (8 Flashes)

This trouble is indicated when receiver supervision is enabled and communication between the communicator module and the receiver fails. Trouble is indicated if Ethernet 1 and/or cellular 1 is supervised and does not receive a heartbeat from the

receiver or if cellular is supervised and the unit does not receive an acknowledgment to 4 heartbeats sent to the receiver.

### **FTC Trouble (9 Flashes)**

This trouble is indicated when the unit fails to communicate module events to the central station. Trouble is displayed after the unit has exhausted all communications attempts to all programmed receivers for events generated by the communicator.

### **Module Configuration Trouble (12 Flashes)**

This trouble is indicated when the system account code or the receiver account have not been programmed. Disabled receivers are excluded.

### **△ Red Network Connection Status LED**

#### **TL2803G(R)E / TL280LE(R)**

**BLINKING:** Indicates communications in progress.

- Once quickly for outgoing Ethernet transmission.
- Twice quickly to indicate incoming Ethernet ACK/NACK.

**OFF:** This is the normal state of the red network connection status LED. There are no network connection issues present.

**ON:** There is a problem with the Ethernet or the cellular network connection. LED will be ON if any of the following occur: Ethernet cable is not connected, DHCP configuration times out, unit fails to get an IP address from the cellular network, or Cellular connection has been reset.

### **■ (Green LED 1) ■ (Green LED 2) and △ (Yellow LED) Signal Strength**

**NOTE:** If the yellow LED is flashing, signal strength in table below is not valid.

See **Table 7** for troubleshooting flashing yellow LED.

Table 6: Radio Signal Strength

Signal Strength	CSQ Level	Yellow LED	Green LED 2	Green LED 1	Signal Level dBm	Action Required
Radio Not Ready	N/A	N/A	Alternate Flashing	Alternate Flashing	N/A	If this status persists and the yellow LED shows 5 flashes, confirm that the SIM card is active. Confirm cellular service is active in area. Relocate panel or install external antenna.
No Signal	0	ON	OFF	OFF	-113 or less	Check all antenna connections.
1 Bar	1 - 4	Flashing See Note	OFF	Flashing	-111 ~ -105	Relocate panel or install external antenna if yellow trouble LED shows five flashes.
2 Bars	5 - 6	OFF	OFF	Flashing	-103 ~ -101	
3 Bars	7 - 10	OFF	OFF	ON	-99 ~ -93	Location is OK. Cellular signal strength is greater than CSQ 7.
4 Bars	11-13	OFF	Flashing	ON	-91 ~ -87	
5 Bars	14 +	OFF	ON	ON	-85 and higher	

**NOTE:** The communicator will indicate cellular trouble (yellow LED = 5 flashes) if the calculated average CSQ Level is 4 or less.

### Network Activity LEDs - Red and Green (TL2803G(R)E/TL280LE(R) only)

- **Ethernet Activity:** Red LED will blink quickly once for transmit, or twice for receive.
- **Cellular Activity:** Green LED 2 will blink quickly once for transmit, or twice for receive

## Communicator Reset/Update

### Factory Defaults Reset

Restore the programming options for the communicator to the factory settings by installing a hardware jumper. Perform the following steps to reset the communicator:

**NOTE:** A jumper is required on AUDIO/DEFAULT pins 4 and 5 to reset the hardware values.

1. Remove panel front cover.
2. Locate the AUDIO/DEFAULT 5 pin connector on the communicator board (see Figure 3).
3. Apply a jumper to short the hardware default pins 4 and 5.
4. Remove AC and DC power from the panel and then reapply power to the panel.
5. Wait until the two green LEDs on the communicator begin flashing rapidly.
6. Remove the jumper from the hardware default pins 4 and 5 (green LEDs will stop flashing).
7. Replace the panel cover.

**NOTE:** The communicator has now been reset to the factory default values.

### Firmware Update

The firmware of the device can be updated over cellular or Ethernet (remote or local updating):

- When the firmware update begins, all 4 LEDs are ON.
- During the firmware update process, the LEDs will cycle in a chaser pattern.
- During the firmware update process, the chaser pattern will briefly pause and resume again. This indicates firmware verification check has passed, and application update will begin.
- After a successful update, the unit will automatically restart.
- Should the update fail, all 4 LEDs will flash ON, then OFF together at 1 second intervals.

**NOTE:** If the firmware update fails, restart the communicator by cycling power. For persistent update failures, contact technical support for assistance.

# Communicator Troubleshooting

**NOTE:** For additional details:

- Refer to section [983] for troubleshooting the firmware updates
- Refer to section [984] to view the trouble status
- Refer to section [985] for troubleshooting radio initialization

Table 7: Trouble Indications

Trouble indication	Trouble Indicator Digit	Possible Causes	Trouble Possible Solution
No Indication	N/A	No Power	<ul style="list-style-type: none"> <li>• Check the power connections between the panel and the communicator.</li> <li>• Confirm PC-LINK cable is properly installed between communicator and panel.</li> </ul>
Yellow LED – ON Solid	N/A	No Signal	<ul style="list-style-type: none"> <li>• Confirm that cellular network service is active in the area.</li> <li>• Ensure the antenna is securely connected to the radio. Check antenna stub cable is securely connected to the radio.</li> <li>• If an external antenna is used, ensure the antenna is securely screwed on to the antenna cable connector. Check external antenna for damage or open/short.</li> </ul>
Trouble LED – 2 Flashes	02	Panel Supervision Trouble	<ul style="list-style-type: none"> <li>• Check section [382] toggle option[5] is ON (Alternate Communicator Enabled).</li> <li>• Ensure the PC-LINK cable between the panel and communicator is connected properly (not reversed) and is securely in place.</li> </ul>
Yellow LED – 5 Flashes	05	Cellular Trouble	<ul style="list-style-type: none"> <li>• Confirm that cellular service is available and active in the area.</li> <li>• Check all antenna connections.</li> <li>• Ensure average radio signal strength is CSQ 5 or higher. (See Table 7).</li> <li>• Ensure the SIM card is properly inserted into the SIM card holder.</li> <li>• Ensure the SIM card has been activated (could take up to 24 hrs after install).</li> <li>• If this trouble persists, relocate the panel (and communicator) or install an external antenna extension kit.</li> </ul>
Yellow LED – 6 Flashes	06	Ethernet Trouble	<ul style="list-style-type: none"> <li>• Check with the ISP to confirm Internet service is active in the area.</li> <li>• Ensure the Ethernet cable is securely inserted into the RJ45 jack of the communicator and the hub/router/switch.</li> <li>• Check the link light on the hub/router/switch is ON. If link light is OFF, start the hub/router/switch.</li> <li>• If DHCP is used, ensure that the unit has an assigned IP address from the server. In Section [851] [992] verify a valid IP address is programmed. If not, contact the network administrator.</li> <li>• If problem persists, replace the Ethernet cable and RJ45 connector.</li> </ul>
Yellow LED – 7 Flashes	07	Receiver Not Available	<ul style="list-style-type: none"> <li>• Ensure that the Ethernet path has Internet connectivity.</li> <li>• If using a static IP address, confirm that the gateway and subnet mask are entered correctly.</li> <li>• If the network has a firewall, ensure the network has the programmed outgoing ports open (default UDP port 3060 and port 3065).</li> <li>• Ensure that all the receivers are programmed for DHCP or have the proper IP address and port number.</li> <li>• Ensure the cellular receiver APNs have been programmed with the access point name provided by the cellular provider.</li> <li>• If Common Mode is used, and only one path is initialized while the other path is not successful, generate a manual test transmission over both paths or power cycle the communicator to recover the 'Receiver Not Available' trouble.</li> </ul>

Trouble indication	Trouble Indicator Digit	Possible Causes	Trouble Possible Solution
Yellow LED – 8 Flashes	08	Receiver Supervision Trouble	<ul style="list-style-type: none"> <li>This trouble is indicated when supervision is enabled and the unit is not able to successfully communicate with the receiver.</li> <li>If this trouble persists, contact the central station.</li> </ul>
Yellow LED - 9 Flashes	09	FTC Trouble	<ul style="list-style-type: none"> <li>The unit has exhausted all communications attempts to all programmed receivers for events generated by the communicator.</li> <li>Restart the system, if trouble persists, contact the dealer.</li> </ul>
Yellow LED – 12 Flashes	0C	Module Configuration Trouble	<ul style="list-style-type: none"> <li>This indication appears when section [021] system account code or sections [101], [111], [201], and [211] receiver account code have not been programmed. Ensure that a valid account code has been entered in these sections.</li> </ul>
All LEDs flashing together	N/A	Boot Loader Failed	<ul style="list-style-type: none"> <li>Disconnect power, then reconnect power to the communicator module.</li> </ul>
Red and Yellow LEDs flashing together	N/A	Initialization Sequence	<ul style="list-style-type: none"> <li>The unit is still initializing, please wait while the unit gets its programming and establishes a connection to all programmed receivers.</li> </ul> <p><b>NOTE:</b> This process may take several minutes to complete.</p>
Only Green LEDs flashing	N/A	Hardware Default Jumper	<ul style="list-style-type: none"> <li>The hardware default jumper is installed and must be removed. See Figure 3.</li> </ul>
Green LEDs alternating	N/A	Radio Reset or Radio Initialization	<ul style="list-style-type: none"> <li>If this status persists and the yellow LED shows 5 flashes, confirm that the SIM card is active.</li> </ul>



## Limited Warranty

Digital Security Controls warrants the original purchaser that for a period of twelve months from the date of purchase, the product shall be free of defects in materials and workmanship under normal use. During the warranty period, Digital Security Controls shall, at its option, repair or replace any defective product upon return of the product to its factory, at no charge for labour and materials. Any replacement and/or repaired parts are warranted for the remainder of the original warranty or ninety (90) days, whichever is longer. The original purchaser must promptly notify Digital Security Controls in writing that there is a defect in material or workmanship, such written notice to be received in all events prior to expiration of the warranty period. There is absolutely no warranty on software and all software products are sold as a user license under the terms of the software license agreement included with the product. The Customer assumes all responsibility for the proper selection, installation, operation and maintenance of any products purchased from DSC. Custom products are only warranted to the extent that they do not function upon delivery. In such cases, DSC can replace or credit at its option.

### International Warranty

The warranty for international customers is the same as for any customer within Canada and the United States, with the exception that Digital Security Controls shall not be responsible for any customs fees, taxes, or VAT that may be due.

### Warranty Procedure

To obtain service under this warranty, please return the item(s) in question to the point of purchase. All authorized distributors and dealers have a warranty program. Anyone returning goods to Digital Security Controls must first obtain an authorization number. Digital Security Controls will not accept any shipment whatsoever for which prior authorization has not been obtained.

### Conditions to Void Warranty

This warranty applies only to defects in parts and workmanship relating to normal use. It does not cover:

- damage incurred in shipping or handling;
- damage caused by disasters such as fire, flood, wind, earthquake or lightning;
- damage due to causes beyond the control of Digital Security Controls such as excessive voltage, mechanical shock or water damage;
- damage caused by unauthorized attachment, alterations, modifications or foreign objects;
- damage caused by peripherals (unless such peripherals were supplied by Digital Security Controls);
- defects caused by failure to provide a suitable installation environment for the products;
- damage caused by use of the products for purposes other than those for which it was designed;
- damage from improper maintenance;
- damage arising out of any other abuse, mishandling or improper application of the products.

### Items Not Covered by Warranty

In addition to the items which void the Warranty, the following items shall not be covered by Warranty: (i) freight cost to the repair centre; (ii) products which are not identified with DSC's product label and lot number or serial number; (iii) products disassembled or repaired in such a manner as to adversely affect performance or prevent adequate inspection or testing to verify any warranty claim. Access cards or tags returned for replacement under warranty will be credited or replaced at DSC's option. Products not covered by this warranty, or otherwise out of warranty due to age, misuse, or damage shall be evaluated, and a repair estimate shall be provided. No repair work will be performed until a valid purchase order is received from the Customer and a Return Merchandise Authorisation number (RMA) is issued by DSC's Customer Service.

Digital Security Controls's liability for failure to repair the product under this warranty after a reasonable number of attempts will be limited to a replacement of the product, as the exclusive remedy for breach of warranty. Under no circumstances shall Digital Security Controls be liable for any special, incidental, or consequential damages based upon breach of warranty, breach of contract, negligence, strict liability, or any other legal theory. Such damages include, but are not limited to, loss of profits, loss of the product or any associated equipment, cost of capital, cost of substitute or replacement equipment, facilities or services, down time, purchaser's time, the claims of third parties, including customers, and injury to property. The laws of some jurisdictions limit or do not allow the disclaimer of consequential damages. If the laws of such a jurisdiction apply to any claim by or against DSC, the limitations and disclaimers contained here shall be to the greatest extent permitted by law. Some states do not allow the exclusion or limitation of incidental or consequential damages, so that the above may not apply to you.

### Disclaimer of Warranties

This warranty contains the entire warranty and shall be in lieu of any and all other warranties, whether expressed or implied (including all implied warranties of merchantability or fitness for a particular purpose) and of all other obligations or liabilities on the part of Digital Security Controls. Digital Security Controls neither assumes responsibility for, nor authorizes any other person purporting to act on its behalf to modify

or to change this warranty, nor to assume for it any other warranty or liability concerning this product.

This disclaimer of warranties and limited warranty are governed by the laws of the province of Ontario, Canada.

Digital Security Controls recommends that the entire system be completely tested on a regular basis. However, despite frequent testing, and due to, but not limited to, criminal tampering or electrical disruption, it is possible for this product to fail to perform as expected.

### Installer's Lockout

Any products returned to DSC which have the Installer's Lockout option enabled and exhibit no other problems will be subject to a service charge.

### Out of Warranty Repairs

Digital Security Controls will at its option repair or replace out-of-warranty products which are returned to its factory according to the following conditions. Anyone returning goods to Digital Security Controls must first obtain an authorization number. Digital Security Controls will not accept any shipment whatsoever for which prior authorization has not been obtained.

Products which Digital Security Controls determines to be repairable will be repaired and returned. A set fee which Digital Security Controls has predetermined and which may be revised from time to time, will be charged for each unit repaired.

Products which Digital Security Controls determines not to be repairable will be replaced by the nearest equivalent product available at that time. The current market price of the replacement product will be charged for each replacement unit.

## EULA

IMPORTANT - READ CAREFULLY: DSC Software purchased with or without Products and Components is copyrighted and is purchased under the following license terms:

This End-User License Agreement ("EULA") is a legal agreement between You (the company, individual or entity who acquired the Software and any related Hardware) and Digital Security Controls, a division of Tyco Safety Products Canada Ltd. ("DSC"), the manufacturer of the integrated security systems and the developer of the software and any related products or components ("HARDWARE") which You acquired.

If the DSC software product ("SOFTWARE PRODUCT" or "SOFTWARE") is intended to be accompanied by HARDWARE, and is NOT accompanied by new HARDWARE, You may not use, copy or install the SOFTWARE PRODUCT. The SOFTWARE PRODUCT includes computer software, and may include associated media, printed materials, and "online" or electronic documentation.

Any software provided along with the SOFTWARE PRODUCT that is associated with a separate end-user license agreement is licensed to You under the terms of that license agreement.

By installing, copying, downloading, storing, accessing or otherwise using the SOFTWARE PRODUCT, You agree unconditionally to be bound by the terms of this EULA, even if this EULA is deemed to be a modification of any previous arrangement or contract. If You do not agree to the terms of this EULA, DSC is unwilling to license the SOFTWARE PRODUCT to You, and You have no right to use it.

### SOFTWARE PRODUCT LICENSE

The SOFTWARE PRODUCT is protected by copyright laws and international copyright treaties, as well as other intellectual property laws and treaties. The SOFTWARE PRODUCT is licensed, not sold.

#### 1. GRANT OF LICENSE THIS EULA grants You the following rights:

**Software Installation and Use** - For each license You acquire, You may have only one copy of the SOFTWARE PRODUCT installed.

**Storage/Network Use** - The SOFTWARE PRODUCT may not be installed, accessed, displayed, run, shared or used concurrently on or from different computers, including a workstation, terminal or other digital electronic device ("Device"). In other words, if You have several workstations, You will have to acquire a license for each workstation where the SOFTWARE will be used.

**Backup Copy** - You may make back-up copies of the SOFTWARE PRODUCT, but You may only have one copy per license installed at any given time. You may use the back-up copy solely for archival purposes. Except as expressly provided in this EULA, You may not otherwise make copies of the SOFTWARE PRODUCT, including the printed materials accompanying the SOFTWARE.

#### 2. DESCRIPTION OF OTHER RIGHTS AND LIMITATIONS

**Limitations on Reverse Engineering, Decompilation and Disassembly** - You may not reverse engineer, decompile, or disassemble the SOFTWARE PRODUCT, except and only to the extent that such activity is expressly permitted by applicable law notwithstanding this limitation. You may not make any changes or modifications to the Software, without the written permission of an officer of DSC. You may not remove any proprietary notices, marks or labels from the Software Product. You shall institute reasonable measures to ensure compliance with the terms and conditions of this EULA.

**Separation of Components** - The SOFTWARE PRODUCT is licensed as a single product. Its component parts may not be separated for use on more than one HARDWARE unit.

**Single Integrated Product** - If You acquired this SOFTWARE with HARDWARE, then the SOFTWARE PRODUCT is licensed with the HARDWARE as a single integrated product. In this case, the SOFTWARE PRODUCT may only be used with the HARDWARE as set forth in this EULA.

**Rental** - You may not rent, lease or lend the SOFTWARE PRODUCT. You may not make it available to others or post it on a server or web site.

**Software Product Transfer** - You may transfer all of Your rights under this EULA only as part of a permanent sale or transfer of the HARDWARE, provided You retain no copies, You transfer all of the SOFTWARE PRODUCT (including all component parts, the media and printed materials, any upgrades and this EULA), and provided the recipient agrees to the terms of this EULA. If the SOFTWARE PRODUCT is an upgrade, any transfer must also include all prior versions of the SOFTWARE PRODUCT.

**Termination** - Without prejudice to any other rights, DSC may terminate this EULA if You fail to comply with the terms and conditions of this EULA. In such event, You must destroy all copies of the SOFTWARE PRODUCT and all of its component parts.

**Trademarks** - This EULA does not grant You any rights in connection with any trademarks or service marks of DSC or its suppliers.

### 3. COPYRIGHT

All title and intellectual property rights in and to the SOFTWARE PRODUCT (including but not limited to any images, photographs, and text incorporated into the SOFTWARE PRODUCT), the accompanying printed materials, and any copies of the SOFTWARE PRODUCT, are owned by DSC or its suppliers. You may not copy the printed materials accompanying the SOFTWARE PRODUCT. All title and intellectual property rights in and to the content which may be accessed through use of the SOFTWARE PRODUCT are the property of the respective content owner and may be protected by applicable copyright or other intellectual property laws and treaties. This EULA grants You no rights to use such content. All rights not expressly granted under this EULA are reserved by DSC and its suppliers.

**EXPORT RESTRICTIONS** - You agree that You will not export or re-export the SOFTWARE PRODUCT to any country, person, or entity subject to Canadian export restrictions.

**CHOICE OF LAW** - This Software License Agreement is governed by the laws of the Province of Ontario, Canada.

**ARBITRATION** - All disputes arising in connection with this Agreement shall be determined by final and binding arbitration in accordance with the Arbitration Act, and the parties agree to be bound by the arbitrator's decision. The place of arbitration shall be Toronto, Canada, and the language of the arbitration shall be English.

### LIMITED WARRANTY

**NO WARRANTY** - DSC PROVIDES THE SOFTWARE "AS IS" WITHOUT WARRANTY. DSC DOES NOT WARRANT THAT THE SOFTWARE WILL MEET YOUR REQUIREMENTS OR THAT OPERATION OF THE SOFTWARE WILL BE UNINTERRUPTED OR ERROR-FREE.

**CHANGES IN OPERATING ENVIRONMENT** - DSC shall not be responsible for problems caused by changes in the operating characteristics of the HARDWARE, or for problems in the interaction of the SOFTWARE PRODUCT with non-DSC SOFTWARE or HARDWARE PRODUCTS.

**LIMITATION OF LIABILITY; WARRANTY REFLECTS ALLOCATION OF RISK** - IN ANY EVENT, IF ANY STATUTE IMPLIES WARRANTIES OR CONDITIONS NOT STATED IN THIS LICENSE AGREEMENT, DSC'S ENTIRE LIABILITY UNDER ANY PROVISION OF THIS LICENSE AGREEMENT SHALL BE LIMITED TO THE GREATER OF THE AMOUNT ACTUALLY PAID BY YOU TO LICENSE THE SOFTWARE PRODUCT AND FIVE CANADIAN DOLLARS (CAD\$5.00). BECAUSE SOME JURISDICTIONS DO NOT ALLOW THE EXCLUSION OR LIMITATION OF LIABILITY FOR CONSEQUENTIAL OR INCIDENTAL DAMAGES, THE ABOVE LIMITATION MAY NOT APPLY TO YOU.

**DISCLAIMER OF WARRANTIES** - THIS WARRANTY CONTAINS THE ENTIRE WARRANTY AND SHALL BE IN LIEU OF ANY AND ALL OTHER WARRANTIES, WHETHER EXPRESSED OR IMPLIED (INCLUDING ALL IMPLIED WARRANTIES OF MERCHANTABILITY OR FITNESS FOR A PARTICULAR PURPOSE) AND OF ALL OTHER OBLIGATIONS OR LIABILITIES ON THE PART OF DSC. DSC MAKES NO OTHER WARRANTIES. DSC NEITHER ASSUMES NOR AUTHORIZES ANY OTHER PERSON PURPORTING TO ACT ON ITS BEHALF TO MODIFY OR TO CHANGE THIS WARRANTY, NOR TO ASSUME FOR IT ANY OTHER WARRANTY OR LIABILITY CONCERNING THIS SOFTWARE PRODUCT.

**EXCLUSIVE REMEDY AND LIMITATION OF WARRANTY** - UNDER NO CIRCUMSTANCES SHALL DSC BE LIABLE FOR ANY SPECIAL, INCIDENTAL, CONSEQUENTIAL OR INDIRECT DAMAGES BASED UPON BREACH OF WARRANTY, BREACH OF CONTRACT, NEGLIGENCE, STRICT LIABILITY, OR ANY OTHER LEGAL THEORY. SUCH DAMAGES INCLUDE, BUT ARE NOT LIMITED TO, LOSS OF PROFITS, LOSS OF THE SOFTWARE PRODUCT OR ANY ASSOCIATED EQUIPMENT, COST OF CAPITAL, COST OF SUBSTITUTE OR REPLACEMENT EQUIPMENT, FACILITIES OR SERVICES, DOWNTIME, PURCHASERS TIME, THE CLAIMS OF THIRD PARTIES, INCLUDING CUSTOMERS, AND INJURY TO PROPERTY.

DSC recommends that the entire system be completely tested on a regular basis. However, despite frequent testing, and due to, but not limited to, criminal tampering or electrical disruption, it is possible for this SOFTWARE PRODUCT to fail to perform as expected.

## Regulatory Information

### Modification Statement

Digital Security Controls has not approved any changes or modifications to this device by the user. Any changes or modifications could void the user's authority to operate the equipment. *Digital Security Controls n'approuve aucune modification apportée à l'appareil par l'utilisateur, quelle qu'en soit la nature. Tout changement ou modification peuvent annuler le droit d'utilisation de l'appareil par l'utilisateur.*

### Interference Statement

This device complies with Part 15 of the FCC Rules and Industry Canada licence-exempt RSS standard(s). Operation is subject to the following two conditions: (1) this device may not cause interference, and (2) this device must accept any interference, including interference that may cause undesired operation of the device. *Le présent appareil est conforme aux CNR d'Industrie Canada applicables aux appareils radio exempts de licence. L'exploitation est autorisée aux deux conditions suivantes: (1) l'appareil ne doit pas produire de brouillage, et (2) l'utilisateur de l'appareil doit accepter tout brouillage radioélectrique subi, même si le brouillage est susceptible d'en compromettre le fonctionnement.*

### Wireless Notice

This equipment complies with FCC and IC radiation exposure limits set forth for an uncontrolled environment. The antenna should be installed and operated with minimum distance of 20 cm between the radiator and your body. This transmitter must not be co-located or operating in conjunction with any other antenna or transmitter.

*Cet appareil est conforme aux limites d'exposition aux rayonnements de la IC pour un environnement non contrôlé. L'antenne doit être installée de façon à garder une distance minimale de 20 centimètres entre la source de rayonnement et votre corps. L'émetteur ne doit pas être colocalisé ni fonctionner conjointement avec d'autre antenne ou autre émetteur.*

Antenna gain must be below / Gain de l'antenne doit être ci-dessous:

Frequency Band/Bande de fréquence	TL2803G(R)E, TL2803GE, 3G2080RE, 3G2080E	TL2804E, TL280LER, LE2080, LE2080R
GSM850/FDD V	2.26 dBi	-
PCS1900/FDD II	2.41 dBi	-
LTEB2	-	2.76 dBi
LTEB4	-	2.82 dBi
LTEB5/B12/B13	-	2.45 dBi

### FCC Class B digital device notice

This equipment has been tested and found to comply with the limits for a Class B digital device, pursuant to part 15 of the FCC Rules. These limits are designed to provide reasonable protection against harmful interference in a residential installation. This equipment generates uses and can radiate radio frequency energy and, if not installed and used in accordance with the instructions, may cause harmful interference to radio communications. However, there is no guarantee that interference will not occur in a particular installation. If this equipment does cause harmful interference to radio or television reception, which can be determined by turning the equipment off and on, the user is encouraged to try to correct the interference by one or more of the following measures:

- Reorient or relocate the receiving antenna.
- Increase the separation between the equipment and receiver.
- Connect the equipment into an outlet on a circuit different from that to which the receiver is connected.
- Consult the dealer or an experienced radio/TV technician for help.

### CAN ICES-3 (B) / NMB-3 (B)

TL2803G (R) E - EU /3G2080 (R) E- EU/TL280(R)E	LE2080(R)/TL280L(R)
FCC ID: F5316TL2803GRE	FCC ID: F5317TL280LER
IC: 160A-TL2803GRE	IC: 160A-TL280LER

### Notes for EN50131-1:2006/A1:2009 Compliant installations:

Models TL2803G(R)E-EU/3G2080(R)E-EU/TL280(R)E are an SPT Type Y - the module is mounted within CIE or PS housing and it receives power from the compatible CIE or Power Supply source that are in compliance with EN50131-6:2008 Type A requirements for a Grade 2, Class II application. This product has no replacement parts and software programmable options are accessible at level 3 (installer mode), section [851].

The TL2803G(R)E-EU/3G2080(R)E-EU/TL280(R)E connects to compatible DSC alarm control panels using the DSC proprietary serial interface and protocol PC-Link (converted also to RS-422). The module operates in pass-through mode and it does acknowledge the alarm to the compatible control panel after an acknowledgement has been received from the compatible alarm receiver.

1. The TL2803G(R)E-EU/3G2080(R)E-EU/TL280(R)E module is monitored by the control panel and it is programmed via the programming menu (\* 8, section [851] in the control panel. The interface is connected to the PC-Link bus as shown in the diagram included in this manual.

- The HSPA3G Cellular path is immune to conducted and radiated RF fields with levels up to 10V/m as tested per EN50130-4 Standard.
- The TL2803G(R)E-EU/3G2080(R)E-EU/TL280(R)E module conforms with radiated emissions levels for Class B equipment as per standards EN61000-6-3/EN55022/CISPR22.
- The TL2803G(R)E-EU/3G2080(R)E-EU/TL280(R)E module uses AES128 encryption and heartbeat supervision for HSPA3G Cellular communication paths and it meets security levels S2 as per EN50136-2:2013. It also uses authentication for each message exchanged with the compatible receiver equipment at ARC and it meets level 12 for information security.
- The 3G2080(R)E-EU module has only one communication path: HSPA3G Cellular communication path using 900/1800/2100MHz Public Cellular Network. The HSPA3G Cellular communication path that can be used in a standalone mode in conjunction with a DSC alarm system (compatible DSC alarm control panel models: HS2128/064/032/016). The supported ATS configuration is: custom category C.
- The TL280(R)E module has only one communication path: Ethernet communication path using Internet. The communication path that can be used in a standalone mode in conjunction with a DSC alarm system (compatible DSC alarm control panel models: HS2128/064/032/016). The supported ATS configuration is: custom category C.
- The TL2803G(R)E-EU module has two communication paths: HSPA3G Cellular communication path using 900/1800/2100MHz Public Cellular Network and Ethernet communication path using Internet. The communication paths can be used in a standalone mode in conjunction with a DSC alarm system (compatible DSC alarm control panel models: HS2128/064/032/016). The supported ATS configuration is: custom category C.
- The TL2803G(R)E-EU/3G2080(R)E-EU/TL280(R)E has been tested for compliance in conjunction with the following applicable standards: EN50136-1:2012, EN50136-2:2013, EN50131-10:2014, ATS configuration: C.

For EN50131-1:2006/A1:2009 compliant installations, the following programming options shall be set as described.

Supervision Heartbeat shall be set to 180 seconds

NOTE: The compatible receiver at ARC location shall have supervision window programmed for 180 seconds. TL2803G(R)E-EU/3G2080(R)E-EU/TL280(R)E has been certified by TELEFONICA in accordance with EN50131-1:2006/A1:2009, EN50131-10:2014 requirements for Grade 2, Class II and EN50136-2:2013 Configuration: C

ATS Custom Category C	Level
EN50136-1:2012 Annex D Table D.1	D3
EN50136-1:2012 Annex D Table D.2	M3
EN50136-1:2012 Annex D Table D.3	T4
EN50136-1:2012 Annex D Table D.4	A4 (Depending on cellular carrier used)
EN50136-1:2012 Annex D Table D.5	S2 (use AES-128 and authentication/sequential information in each message transmitted to the SG receiver)
EN50136-1:2012 Annex D Table D.6	I2 (use AES-128 encryption)
EN50136-1:2012 Table 1	Use single communication path for models 3G2080 (R) E-EU (cellular network), TL280 (R) E (Ethernet port) and two communication paths for model TL2803G(R)E-EU (cell/Ethernet).
EN50136-1:2012 Table 4	ATS failure reported to ARC
EN50136-1:2012 Table 5	ATS failure reported to AS (DSC compatible control panel HS2128/HS2064/HS2032/HS2016)
EN50136-1:2012 Table 6	There is no recording of availability failure
EN50136-2:2013 Table 1	No logging function provided
EN50136-2:2013 Table 2	No memory provided for logging function
EN50136-2:2013 Table 3	ATS failure reported to ARC

### SIMPLIFIED EU DECLARATION OF CONFORMITY

Hereby, Tyco Safety Products Canada Ltd declares that the radio equipment type is in compliance with Directive 2014/53/EU. The full text of the EU declarations of conformity for the models mentioned below are available at the following internet addresses:

TL2803G(R)E-EU - <http://dsc.com/pdf/1605003>

3G2080(R)E-EU - <http://dsc.com/pdf/1605004>

Frequency Band	Maximum Power
EGSM900 890.0MHz-914.8MHz	Class4 (2W) @ 900MHz, GSM
EGSM900 880.2MHz-889.8MHz	Class1(1W) @ 1800MHz, GSM
DCS1800 1710.2MHz-1784.8MHz	ClassE2 (0.5W) @ 900MHz, EDGE
WCDMA (Band VIII) 882.4MHz-912.6MHz	ClassE2 (0.4W) @ 1800MHz, EDGE

WCDMA2100 (Band I) 1922.4MHz-1977.6MHz	Class 3 (0.25W) @ 900/2100MHz, WCDMA
--	--------------------------------------

Only models TL2803G(R)E-EU, TL2803G(R)E-EU, 3G2080(R)E-EU, 3G2080(R)E-EU are CE compliant.

European single point of contact: Tyco Safety Products, Voltaweg 20, 6101 XK Echt, Netherlands

### UL/ULC Installation Requirements

NOTE: For equipment used at the protected premises and intended to facilitate IP communications (hubs, routers, NIDs, Digital Subscriber Line (DSL), cable modems), 24 hour backup power is required. Where such cannot be facilitated, a secondary (back-up) communication channels is required.

Ⓢ Domain Name Service (DNS) programming is not permitted in UL1610 listed systems.

### Technical Specifications

The input voltage to the Communicator can be drawn from the Underwriters Laboratories/Underwriters Laboratories Canada (UL/ULC) listed control panel.

### Notes for Using Private, Corporate, and High Speed Data Networks:

Network access and domain access policies shall be set to restrict unauthorized network access, and spoofing or Denial of Service (DoS) attacks. Select an Internet Service Provider (ISP) that has redundant servers/systems, back-up power, routers with firewalls enabled, and methods to identify and protect against DoS attacks (e.g., via spoofing).

### Notes for Using Public Switched and Cellular Data Networks:

Communication channels shall be facilitated such that the communicator will restrict unauthorized access, which could otherwise compromise security. The communicator shall be located in a secured area.

- For UL Residential Fire and Burglary applications the TL2803G(R)E/3G2080(R)E/TL280(R)E/LE2080(R)/TL280LE(R) can be used as primary communication channel via either cellular or Ethernet or as a back-up in conjunction with the Digital Alarm Communicator Transmitter (DACT). Test transmission every 24 hours shall be enabled on each channel.

- For UL Commercial Fire and Burglary applications the TL2803G(R)E/3G2080(R)E/TL280(R)E/LE2080(R)/TL280LE(R) can be used as a passive communication module with the following security levels:

- P1 (each channel cellular or Ethernet is independent)
- P2 (cellular and Ethernet in back-up configuration, panel section [851][005] toggle option [5] OFF).
- P3 (cellular and Ethernet in redundant configuration, panel section [851][005] toggle option [5] ON).

The communicator can also be used as an active communication system with the security levels A1-A4 (each channel cellular or Ethernet independent or together in a back-up/redundant configuration). For active line security systems AES128 bit encryption shall be enabled (at the monitoring station receiver) and the supervision heartbeat rate shall be set as 90 seconds (panel section [851][004] = 005A/90). The supervision window at the Signal Receiver Center (SRC)'s receiver shall be programmed as maximum of 180 (00B4/180) seconds.

NOTE: For UL Commercial fire passive communication, encryption shall be enabled.

- For UL Residential Fire and Burglary applications the TL2803G(R)E/3G2080(R)E/TL280(R)E/LE2080(R)/TL280LE(R) can be used as the primary communication channel via either cellular or Ethernet, or as a back-up in conjunction with the DACT (30 day test transmission is required on each channel).

- For UL Commercial Burglary applications the TL2803G(R)E/3G2080(R)E/TL280(R)E/LE2080(R)/TL280LE(R) can be used as dual signaling line communication system (cellular and Ethernet channels used in redundant configuration), standard line security and as encrypted line security.

- The supervision heartbeat shall be enabled (panel section [851][005] toggle option [1] (Ethernet) and/or toggle option [2] (cellular) shall be ON), toggle option [3] (supervision type) shall be ON and the supervision heartbeat rate shall be selected as 135 (0087/135) seconds. Option [004] = 0087. The supervision window at the supervising station shall be maximum 200 (00C8/200) seconds. For encrypted line security systems the encryption AES128 bit shall be enabled at the monitoring station receiver.

- For UL Commercial Burglary installations, the TL2803G(R)E/3G2080(R)E/TL280(R)E/LE2080(R)/TL280LE(R) is listed as a primary (sole) communication means (heartbeat must be enabled) or for supplementary (back-up) use in conjunction with a Plain Old Telephone Service (POTS) line dialer. When the heartbeat transmission over the Ethernet or cellular network is enabled, using the TL2803G(R)E/3G2080(R)E/TL280(R)E with a compatible control unit listed for standard/encrypted line security, it can provide line security for the alarm system over the primary line.

- The TL2803G(R)E/3G2080(R)E/TL280(R)E/LE2080(R)/TL280LE(R) is also suitable to be used with a compatible control unit listed for dual line security transmission when used in conjunction with a DACT or a Public Switched Data Network (PSDN) transmitter, where the PSDN provides the line security and is the primary line. In this mode, alarm signals are required to be sent simultaneously over both communication methods.

©2018 Tyco Security Products. All Rights Reserved.  
Tech Support: 1-800-387-3630 (Canada & U.S.) or 905-760-3000  
[www.dsc.com](http://www.dsc.com)

The trademarks, logos, and service marks displayed on this document are registered in the United States [or other countries]. Any misuse of the trademarks is strictly prohibited and Tyco will aggressively enforce its intellectual property rights to the fullest extent of the law, including pursuit of criminal prosecution wherever necessary. All trademarks not owned by Tyco are the property of their respective owners, and are used with permission or allowed under applicable laws. Product offerings and specifications are subject to change without notice. Actual products may vary from photos. Not all products include all features. Availability varies by region; contact your sales representative.

**DSC**

*From Tyco Security Products*

---



Pour télécharger le manuel complète et enregistrer votre produit, visitez [dsc.com/m/29009554](http://dsc.com/m/29009554) ou scannez le code QR pour le droit.



## **TL280LE(R)**

**Communicateur d'alarmes double voie Internet et LTE/HSPA  
Communicateur**

## **LE2080(R)**

**Communicator d'alarmes LTE/HSPA**

## **3G2080(R)E**

**Communicateur d'alarmes Cellulaire HSPA**

## **TL2803G(R)E**

**Communicateur d'alarmes double voie Internet et LTE/HSPA**

## **TL280(R)E**

**Communicateur d'alarmes sur Internet**



**Guide d'installation 5.X**

**Avertissement :** Le présent manuel contient des informations relatives aux limitations concernant l'utilisation et les fonctionnalités du produit ainsi que les limitations de la responsabilité du fabricant. Lisez attentivement le manuel dans son intégralité.

Tous les modèles ne sont pas disponibles sur tous les marchés.

## AVERTISSEMENT : à l'attention de l'installateur, veuillez lire attentivement

### Remarque pour les installateurs

Les avertissements de cette page contiennent des informations vitales. En tant que seul individu en contact avec les utilisateurs du système, c'est à l'installateur qu'incombe la responsabilité d'attirer l'attention des utilisateurs du système sur chaque élément de cette mise en garde.

### Pannes de système

Ce système a été soigneusement conçu pour être aussi efficace que possible. Toutefois, dans des circonstances impliquant un incendie, un cambriolage ou tout autre cas d'urgence, il se peut qu'il ne fournisse pas de protection. Tout système d'alarme quel qu'il soit peut être délibérément saboté ou peut ne pas fonctionner comme prévu pour plusieurs raisons. Certaines de ces raisons sont notamment :

#### Accès par des intrus

Des intrus peuvent entrer par un point d'accès non protégé, contourner un dispositif de détection, échapper à une détection en se déplaçant dans une zone insuffisamment couverte, déconnecter un dispositif d'alarme, ou interférer avec le système ou empêcher son fonctionnement normal.

#### Panne d'un élément

Bien que tous les efforts aient été faits pour rendre le système aussi fiable que possible, le système peut mal fonctionner à cause de la panne d'un élément.

#### Limites de fonctionnement des dispositifs de fréquence radio (sans fil)

Les signaux peuvent ne pas atteindre le récepteur dans toutes les circonstances qui pourraient inclure des objets métalliques placés sur ou à proximité du trajet radio, ou le brouillage délibéré ou commis par inadvertance causant une interférence du signal radio.

#### Connaissances criminelles

Ce système contient des fonctions de sécurité reconnues efficaces au moment de la fabrication. Il est possible que des personnes ayant des intentions criminelles élaborent des techniques qui réduisent l'efficacité de ces fonctions. Il est important de vérifier le système de sécurité régulièrement pour garantir que ses fonctions restent efficaces, qu'il est mis à jour ou qu'il doit être remplacé s'il s'avère qu'il ne fournit pas la protection attendue.

#### Pannes des batteries remplaçables

Les transmetteurs sans fil de ce système ont été conçus pour fournir plusieurs années d'autonomie de batterie dans des conditions normales d'utilisation. La durée de vie de la batterie dépend de l'environnement de l'appareil, de son utilisation et du type de batterie. Les conditions ambiantes telles que l'humidité élevée, des températures très élevées ou très basses, ou de grosses différences de température peuvent réduire la durée de vie de la batterie. Bien que chaque appareil de transmission possède un dispositif de surveillance de batterie faible qui indique à quel moment la batterie doit être remplacée, il peut ne pas fonctionner comme prévu. Un entretien et des tests réguliers maintiendront le système dans de bonnes conditions de fonctionnement.

#### Mauvaise installation

Un système de sécurité doit être correctement installé afin de fournir une protection adéquate. Chaque installation doit être examinée par un professionnel de la sécurité pour s'assurer que tous les points d'accès et zones sont couverts. Les serrures et les loquets sur les portes et fenêtres doivent être bien fermés et fonctionner normalement. Les fenêtres, portes, murs, plafonds et autres matériaux de construction doivent être suffisamment solides pour assurer le niveau de protection attendu. Un nouvel examen doit être effectué pendant et après toute construction. Un examen par le département de police et/ou des sapeurs-pompiers est fortement recommandé si ce service est offert.

#### Test insuffisant

La plupart des problèmes qui pourraient empêcher un système d'alarme de fonctionner normalement peuvent être découverts en testant et en entretenant le système régulièrement. L'ensemble du système devrait être testé hebdomadairement et immédiatement après une effraction, une tentative d'entrée par effraction, un incendie, une tempête, un tremblement de terre, un accident ou toute sorte de construction à l'intérieur ou à l'extérieur des lieux. Le test doit inclure toutes les appareils de détection, claviers, consoles, dispositifs d'indication d'alarme ainsi que tout autre dispositif d'exploitation faisant partie du système.

#### Insuffisance de temps

Il peut y avoir des circonstances où le système fonctionne comme prévu mais où les occupants ne seront pas protégés à cause de leur incapacité à répondre aux avertissements dans un temps alloué. Si le système est connecté à un poste de télésurveillance à distance, l'intervention peut ne pas arriver à temps pour protéger les occupants ou leurs biens.

#### Détecteurs de mouvement

Les détecteurs de mouvement ne détectent le mouvement que dans les zones désignées, conformément aux instructions d'installation. Ils ne peuvent pas distinguer les intrus des occupants. Les détecteurs de mouvement ne fournissent pas de protection volumétrique des zones. Ils ont de multiples rayons de détection et les mouvements ne peuvent être détectés que dans des zones non obstruées et

protégées par ces rayons. Ils ne peuvent détecter les mouvements qui se produisent derrière les murs, plafonds, sols, portes fermées, cloisons vitrées, portes vitrées ou fenêtres. Tout type de sabotage, qu'il soit intentionnel ou non, comme le camouflage, la peinture ou la vaporisation de substances sur les objectifs, miroirs, fenêtres ou toute autre partie du système de détection empêchera son fonctionnement normal.

Les détecteurs de mouvement à infrarouge passif fonctionnent en détectant les changements de température. Cependant, leur efficacité peut être réduite lorsque la température ambiante s'approche ou dépasse la température du corps ou s'il existe des sources de chaleur intentionnelles ou non intentionnelles dans ou près de la zone de détection. Certaines de ces sources de chaleur peuvent être des dispositifs de chauffage, radiateurs, fours, barbecues, cheminées, lumière du soleil, dispositifs d'évacuation de vapeur, éclairages, etc.

#### Panne de courant

Les équipements de contrôle, les détecteurs d'intrusion, les détecteurs de fumée et bien d'autres dispositifs de sécurité nécessitent une alimentation électrique adéquate pour fonctionner normalement. Si un appareil fonctionne grâce à des batteries, il est possible que celles-ci faiblissent. Même si les batteries ne sont pas faibles, elles doivent être chargées, en bon état et installées correctement. Si un appareil fonctionne que par alimentation secteur, toute interruption, même très brève, rendra cet appareil inopérant pendant la durée de la coupure de courant. Les coupures de courant, quelle qu'en soit la durée, sont souvent accompagnées par des fluctuations de tension qui peuvent endommager les équipements électroniques que les systèmes de sécurité. À la suite d'une coupure de courant, effectuez immédiatement un test complet du système pour vous assurer que le système fonctionne correctement.

#### Sécurité et assurance

Sanctifier compte de ses capacités, un système d'alarme ne constitue pas un substitut à une assurance sur la propriété ou une assurance vie. Un système d'alarme ne doit pas empêcher les propriétaires, locataires ou autres occupants d'agir prudemment afin d'éviter ou de minimiser les effets nuisibles d'une situation d'urgence.

#### Détecteurs de fumée

Les détecteurs de fumée qui font partie du système peuvent ne pas bien alerter les occupants d'un endroit en feu pour un certain nombre de raisons, dont : Les détecteurs de fumée peuvent avoir été mal installés ou positionnés. La fumée peut ne pas pouvoir atteindre les détecteurs de fumée, par exemple dans le cas d'un incendie dans une cheminée, murs ou toits, ou de l'autre côté de portes fermées. Les détecteurs de fumée peuvent ne pas détecter la fumée provenant d'incendies à un autre niveau de la résidence ou du bâtiment.

Tous les incendies diffèrent par la quantité de fumée produite et le taux de combustion. Les détecteurs de fumée ne peuvent pas détecter de la même manière tous les types d'incendie. Les détecteurs de fumée ne fournissent pas d'avertissement opportun d'un incendie cause par une imprudence ou un manque de sécurité tels que fumer dans un lit, explosions violentes, fuites de gaz, mauvais rangement de produits inflammables, circuits électriques surchargés, enfants jouant avec des allumettes, incendies provoqués.

Même si le détecteur de fumée fonctionne comme prévu, dans certaines circonstances le préavis n'est pas suffisant pour permettre à tous les occupants de s'enfuir à temps pour éviter les blessures ou la mort.

#### Lignes téléphoniques

Si les lignes téléphoniques sont utilisées pour transmettre des appels, elles peuvent être hors d'usage ou occupées pendant un certain temps. Un intrus peut également couper la ligne téléphonique ou provoquer son dérangement par des moyens plus sophistiqués parfois difficiles à détecter.

#### Dispositifs d'avertissement

Les dispositifs d'avertissement tels que les sirènes, cloches, avertisseurs ou lumières stroboscopiques peuvent ne pas avertir les gens ou ne pas réveiller une personne endormie s'il y a un mur ou une porte fermée. Si les dispositifs d'avertissement sont placés à un autre étage de la résidence ou du local, il est alors probable que les occupants ne seront pas alertés ou réveillés. Les dispositifs d'avertissement sonores peuvent être atténués par d'autres sources sonores telles que les chaînes stéréo, radios, télévisions, climatiseurs, autres appareils ou par le trafic routier. Les dispositifs d'avertissement sonores, même bruyants, peuvent ne pas être entendus par une personne malentendante.

## Généralités

Ce manuel d'installation doit être utilisé conjointement avec la centrale. Toutes les instructions spécifiées dans ce dernier manuel doivent être respectées. La Centrale est appelé « centrale » dans tout ce document. Ce manuel d'installation fournit les informations de base de câblage, de programmation et de dépannage.

L'équipement est fixé, accroché au mur et doit être installé dans la position indiquée dans ces instructions. Le boîtier de l'équipement doit être complètement assemblé et fermé, avec toutes les vis et toutes les languettes nécessaires, et il doit être fixé à un mur avant d'être utilisé. Le câblage interne doit être acheminé de façon à éviter :

- Des contraintes excessives sur les câbles et les bornes de connexion,
- Les interférences entre les câblages de puissance limitée et ceux de puissance non limitée,
- Le relâchement des branchements des bornes,
- Des dommages à l'isolant du conducteur.

**AVERTISSEMENT : N'installez jamais ce matériel pendant un orage !**

### Consignes de sécurité

L'installateur doit préciser à l'utilisateur du système chacun des points suivants :

- N'essayez pas de réparer ce produit. L'ouverture ou le retrait des capots peut exposer l'utilisateur à des tensions dangereuses ou à d'autres risques.
- Les interventions ne peuvent être effectuées que par du personnel formé à cet effet.
- Utilisez uniquement des accessoires agréés avec cet équipement.
- Ne pas rester à proximité du matériel pendant son fonctionnement.
- Ne pas toucher l'antenne externe.

## Informations sur le modèle

Ce manuel concerne les modèles de communicateurs d'alarme suivants :

Les modèles **TL2803GRE-EU, TL2803GE-EU, TL280RE-EU, TL280E-EU, 3G2080RE-EU, 3G2080E-EU (fonctionnement à 900/2 100 MHz)** et **3G2080E-EU** sont destinés au marché européen et couvrent les bandes suivantes : 900/2 100 MHz.

Les modèles **TL2803GRE-AU, TL2803GE-AU, TL280RE-AU, TL280E-AU, 3G2080E-AU** et **3G2080RE-AU (fonctionnement à 850/2 100 MHz)** sont destinés aux marchés australien, néo-zélandais et brésilien, et couvrent les bandes suivantes : 850/2 100 MHz.

**REMARQUE :** Seuls les modèles **TL2803GE-AU** et **3G2080E-AU** sont homologués Anatel pour un usage au Brésil.

Les modèles **TL2803GRE, TL2803GE, TL280RE, TL280E, 3G2080RE** et **3G2080E (fonctionnement à 850/1 900 MHz)** sont destinés au marché nord-américain et sud-américain (à l'exclusion du Brésil) et couvrent les bandes suivantes : 850/1 900 MHz.

**REMARQUE :** Seuls les modèles **TL2803GE** et **3G2080E** sont homologués CNC pour un usage en Argentine.

Les modèles **TL280LER, TL280LE, LE2080R, LE2080** sont destinés au marché nord-américain et prennent en charge les bandes LTE B2, B4, B5, B12 et B13, ainsi que les bandes W-CDMA B2 et B5.

Bande	Bande d'émission (Tx)	Bande de réception (Rx)
LTE B2	1 850 - 1 910 MHz	1930 - 1990 MHz
LTE B4	1710 - 1755 MHz	2110 - 2155 MHz
LTE B5	824 - 849 MHz	869 - 894 MHz
LTE B12	698 - 716 MHz	728 - 746 MHz
LTE B13	777 - 787 MHz	746 - 756 MHz
UMTS B2	1 850 - 1 910 MHz	1930 - 1990 MHz
UMTS B5	824 - 840 MHz	869 - 894 MHz

Les références aux modèles **TL280(R)E, TL2803G(R)E, 3G2080(R)E, TL280LE(R)** et **LE2080(R)** contenues dans ce manuel s'appliquent à tous les modèles spécifiés sauf indication contraire. Les noms de modèles se terminant par la lettre « R » sont dotés d'une interface intégrée RS-232 qui permet une connexion aux applications tierces locales.

Le modèle **TL280(R)E/TL2803G(R)E/3G2080(R)E/TL280LE(R)/LE2080(R)** prend en charge l'intégration sur réseau cellulaire/IP, disponible avec des solutions de produit de tierce partie sous licence. Une programmation spéciale des sections

de programmation concernées doit être fournie par la partie tierce. La liste actuelle des solutions de tierce partie compatibles est disponible sur [www.dsc.com](http://www.dsc.com).

**3G2080(R)E** : est un communicateur d'alarme HSPA(3G) qui envoie des alarmes à des récepteurs d'un central de télé-surveillance Sur-Gard System I-IP, II, III (SG-DRL3IP), IV (SG-DRL4IP) et 5 (SG-DRL5IP) via un réseau cellulaire numérique HSPA(3G)/GPRS. **TL2803G(R)E** : est un communicateur d'alarme double voie HSPA(3G) et Ethernet qui envoie des alarmes à des récepteurs d'un central de télésurveillance Sur-Gard System -IPI, II, III, IV et V via un réseau cellulaire numérique HSPA(3G)/GPRS ou Ethernet/Internet.

**TL280(R)E** : est un communicateur d'alarme sur Ethernet qui envoie des alarmes sur les récepteurs d'un central de télé-surveillance Sur-Gard System I-IP, II, III (SG-DRL3IP), IV (SG-DRL4IP), et 5 (SG-DRL5IP) par le biais d'Ethernet/Internet.

**LE2080(R)** : il s'agit d'un communicateur d'alarme cellulaire LTE (4G) équipé d'une option de secours HSPA (3G), qui envoie des communications d'alarme aux récepteurs d'un central de télésurveillance Sur-Gard System I-IP, II, III (SG-DRL2IP), IV (SG-DRL4IP) et 5 (SG-DRL5IP) via un réseau cellulaire numérique LTE (4G)/HSPA (3G).

**TL280LER** : il s'agit d'un communicateur d'alarme Ethernet LTE (4G) à double voie, qui envoie des communications d'alarme aux récepteurs d'un central de télésurveillance Sur-Gard System I-IP, II, III (SG-DRL3IP), IV (SG-DRL4IP) et V (SG-DRL5IP) via un réseau cellulaire numérique LTE (4G)/HSPA (3G) ou par le biais d'un réseau Ethernet/Internet.

Le communicateur peut être utilisé comme communicateur principal ou de secours. Le communicateur assure la transmission par IP (Internet Protocol) des événements de la centrale et du communicateur via Ethernet/Internet et/ou HSPA/GPRS.

Les performances cellulaires des communicateurs **LE2080(R)**, **TL280LE(R)**, **3G2080(R)E** ou **TL2803G(R)E** dépendent énormément de la couverture du réseau LTE (4G)/HSPA (3G) dans la zone locale. L'unité ne doit pas être montée à l'emplacement final sans avoir préalablement effectué le test de placement du communicateur ci-dessous permettant de déterminer le meilleur emplacement pour la réception radio (au moins un témoin LED vert allumé). Les kits d'antenne optionnels (GS-15ANTQ, GS-25ANTQ, GS-50ANTQ) sont disponibles auprès de DSC pour améliorer la force du signal en cas de besoin.

**REMARQUE** : Avant l'installation, vérifiez auprès de votre opérateur local qu'un réseau est bien disponible et actif dans la zone où le communicateur sera installé, et que la force du signal radio (CSQ) est suffisante.

## Montage de la centrale

Les communicateurs suivants sont compatibles avec les centrales HS2016, HS2016-4, HS2032, HS2064 et HS2128 :

- **3G2080(R)E** (HSPA (3G)/GPRS uniquement)
- **TL2803G(R)E** (Ethernet/Internet + HSPA (3G)/GPRS double réseau)
- **TL280(R)E** (Ethernet/Internet uniquement)
- **LE2080(R)** (LTE (4G)/HSPA (3G) uniquement)
- **TL280LE(R)** (Ethernet/Internet + LTE (4G)/HSPA (3G))

## Caractéristiques

- Cryptage AES 128 bits par réseau cellulaire et Ethernet/Internet
  - Certificat de validation NIST n°2645 (pour les modèles TL2803G(R)E/3G2080(R)E/TL280(R)E)
  - Certificat de validation NIST n°4475 (pour les modèles TL280LE(R)/LE2080(R))
- Communication d'alarme cellulaire de secours ou principale.
- Commute automatiquement sur le service 2G (EDGE/GPRS) si le service HSPA (3G) n'est pas disponible (le service 2G n'est pas pris en charge par les modèles LTE).
- Commute automatiquement du service LTE au service HSPA (3G) si le service LTE n'est pas disponible.
- Réseau LAN/WAN sur Ethernet 10/100 BASE-T (TL2803G(R)E, TL280(R)E, TL280LE(R) uniquement).
- Communication d'alarme à double voie cellulaire et Ethernet/Internet totalement redondante (TL2803G(R)E, TL280LE(R) uniquement).
- Rapport d'événement complet vers le central de télésurveillance.
- Transmission de tests périodique cellulaire et/ou via Internet individuelle
- Routage d'appels intégré.
- Vérification visuelle (Récepteur Sur-Gard System 5 obligatoire)
- Capacité de mise à niveau à distance du micrologiciel du communicateur et de celui de la centrale via radio Ethernet et/ou 3G/GPRS.
- Possibilité de téléchargement/chargement vers une centrale distante via 3G/GPRS et Ethernet/Internet.
- Connexion PC-Link.
- Étiquettes programmables.
- Prise en charge des formats SIA et Contact ID (CID).
- Témoins LED pour l'affichage de la force du signal et des problèmes.
- Envoi de battements de cœur de supervision via 3G/GPRS et Ethernet/Internet.



- Intégration de tierce partie sur réseau cellulaire/IP. Le produit prend en charge une application tierce partie via le port série (modèles R uniquement), le réseau cellulaire et Ethernet. Consultez la documentation de l'application tierce pour plus d'informations.

**REMARQUE :** La connexion RS-232 est destinée à une utilisation complémentaire et n'a pas fait l'objet d'une évaluation UL/ULC.

## Caractéristiques techniques

Les modèles TL2803G(R)E/TL280LE (R) conviennent aussi pour une utilisation avec une unité de commande compatible prévue pour la transmission sécurisée sur ligne double lorsqu'ils sont utilisés en association avec un transmetteur DACT ou un transmetteur PSDN (Réseau public de données commutées), où le PSDN assure la sécurité de la ligne et est la ligne principale. Dans ce mode, les signaux d'alarme doivent être envoyés simultanément sur les deux méthodes de communication.

## Conditions d'installation requises pour EN50131-1

Pour les installations qui respectent la norme EN50131-1, les options de programmation suivantes seront configurées comme indiqué. Battements de cœur de supervision (requis pour ATS4 et ATS5) :

- **[851][004]** paramétré à 008 7h (battements de cœur toutes les 135 s).

**REMARQUE :** Le récepteur compatible à l'emplacement ARC disposera d'une fenêtre de supervision programmée pour 1 800 s (ATS4) ou 180 s (ATS5).

- **[851][005]** Les options 1, 2 et 3 doivent être activées.
- **[851][005]** L'option 8 doit être activée.

Transmission de test (requis pour l'ATS3) :

- **[851]** Les options de test du système [026-029] doivent être activées (FF) pour les voies de communication disponibles.
- **[851][124-125]** et **[224-225]** doivent être programmés avec l'heure à laquelle la transmission de test sera effectuée et un délai de 1 440 minutes (24 h) pour le cycle de transmission de test.

Configuration des chemins de communication (toutes les catégories d'ATS).

- **[300][001]** Sélectionnez l'option 02 pour le routage automatique (ceci permettra la transmission des événements par le biais de toutes les voies de communication disponibles dans le système).
- **[380]** Activez l'option 5 (OUI) pour une transmission parallèle par le biais de tous les chemins de communication disponibles (si une configuration redondante est requise).
- **[382]** Activez l'option 5 (OUI) pour activer le communicateur secondaire.
- **[384]** Activez la configuration de secours souhaitée (le récepteur 2 de secours pour le récepteur 1 ou le récepteur 3 de secours pour le récepteur 1).

## Compatibilité des valeurs nominales

Tableau 1 : Valeurs nominales du communicateur

Modèle	3G2080(R)E/LE2080(R) Réseau cellulaire uni- quement	TL280(R)E Internet uniquement	TL2803G(R)E/TL280LE(R) Internet et Cellulaire
<b>Valeurs nominales d'alimentation</b>			
Tension d'entrée	10,8-12,5 V CC L'alimentation est fournie par la fiche PC-LINK de la centrale ou par un module PCL-422 dans des installations à distance disposant d'un boîtier. Dans les installations à distance disposant d'un boîtier, le module PCL-422 qui est situé avec le communicateur est alimenté soit par un HSM2204 ou bien un HSM2300. Pour plus d'informations, veuillez consulter les instructions d'installation du PCL-422.		
<b>Consommation de courant</b>			
Courant de veille	90mA	100mA	120mA
Courant d'alarme (émission)	400mA		
Fréquence de fonctionnement	850 MHz, 900 MHz, 1 800 MHz, 1 900 MHz, 2 100 MHz		

Modèle	3G2080(R)E/LE2080(R) Réseau cellulaire uni- quement	TL280(R)E Internet uniquement	TL2803G(R)E/TL280LE(R) Internet et Cellulaire
Gain d'antenne typique	2 dBi		
<b>Spécifications environnementales</b>			
Température d'utilisation	De -10°C à 55°C (de 0°C à 49°C pour les modules homologués UL/ULC)		
Humidité	De 5 % à 93 % d'humidité relative, sans condensation		
<b>Spécifications mécaniques</b>			
Dimensions de la carte (en millimètres)	100 x 150 x 15	100 x 150 x 15	100 x 150 x 15
Poids (en grammes) avec le support	310	300	320

Tableau 2 : Centrales et récepteurs compatible

Communicateur	Récepteur/Centrale	Description
3G2080(R)E LE2080(R) TL2803G(R)E TL280LE(R) TL280(R)E	Récepteur	<ul style="list-style-type: none"> <li>• Récepteur Sur-Gard System I-IP, version 1.13+</li> <li>• Récepteur Sur-Gard System II, version 2.10+</li> <li>• Sur-Gard SG-DRL3-IP version 2.30+ (pour le récepteur Sur-Gard System III)</li> <li>• Sur-Gard SG-DRL4-IP version 1.20+ (pour le récepteur Sur-Gard System IV)</li> <li>• Sur-Gard SG-DRL5-IP version 1.00+ (pour le récepteur Sur-Gard System V)</li> </ul>
	Centrale	<ul style="list-style-type: none"> <li>• HS2016</li> <li>• HS2016-4</li> <li>• HS2032</li> <li>• HS2064</li> <li>• HS2128</li> </ul>

**REMARQUE** : Pour afficher le numéro de version de la centrale, entrez [\*][8][code installateur][900] sur le clavier.

## Configuration avant Installation

### Cryptage

Le communicateur utilise le cryptage AES 128 bits. Le cryptage ne peut être activé que depuis le récepteur du centrale de télésurveillance. Le cryptage peut être activé ou désactivé de manière indépendante sur chaque récepteur (Ethernet 1 et 2, 3G/GPRS 1 et 2). Lorsque le cryptage est activé, le central de télésurveillance configure l'appareil pour crypter les communications lors de la prochaine fois que le communicateur est en communication avec ce récepteur.

**REMARQUE** : Les paquets ne commenceront à être cryptés qu'après l'envoi du prochain événement au récepteur ou si l'appareil est redémarré.

**Avant de quitter le site d'installation, la ligne Ethernet du communicateur TL2803G(R) / TL280LE(R) doit être connectée par l'intermédiaire d'un dispositif d'interface réseau (NID) AGRÉÉ (qui convient aux autorités locales). Tous les câblages doivent être effectués dans le respect des codes électriques locaux.**

## Configuration de L'installation du Communicateur

Le communicateur Ethernet ne doit être installé que par du personnel de maintenance qualifié (par personnel de maintenance, l'on entend une personne disposant de l'expérience et de la formation technique nécessaires pour connaître les dangers auxquels elle peut être exposée dans l'accomplissement d'une tâche ainsi que des mesures à prendre pour réduire les risques vis-à-vis d'elle-même ou des autres personnes). Le communicateur doit être installé et utilisé exclusivement dans un environnement d'un degré de pollution maximal 2, de surtensions de catégorie II, en intérieur et en zone non dangereuse. Le présent manuel sera utilisé avec le manuel d'installation de la centrale qui est connecté au communicateur. Toutes les instructions spécifiées dans le manuel de la centrale doivent être exécutées.

Toutes les règles locales imposées par les codes électriques locaux doivent être suivies et respectées pendant l'installation.

## Installation du câble Ethernet (TLXXXX uniquement)

Un câble Ethernet de catégorie 5 (CAT5) doit être tiré depuis une source disposant d'une connectivité Internet jusqu'au module communicateur, à l'intérieur de la centrale. L'extrémité communicateur du câble doit être terminée par une fiche RJ45, à connecter à la prise RJ45 du communicateur après l'installation de ce dernier. Toutes les conditions requises pour l'installation du câble Ethernet CAT5 doivent être respectées pour que le communicateur puisse fonctionner correctement et notamment (liste non limitative) :

- NE PAS DÉNUDER la gaine du câble plus que nécessaire pour une bonne terminaison.
- NE PAS ENTORTILLER NI NOUER le câble.
- NE PAS écraser le câble avec les colliers à câble.
- NE PAS DÉTORDER les paires CAT5 de plus de 1,2 cm (½").
- NE PAS ÉPISSER le câble.
- NE PAS COURBER le câble à angles droits ni NE LUI INFLIGER toute autre courbure brusque.

**REMARQUE** : La spécification CAT5 requiert que toute courbure de câble ait un rayon minimum de 5 cm (2"). La longueur maximale de câble CAT5 est de 100 m (328 pieds).

## Insertion et retrait de la carte SIM

1. Retirez le capot avant de la centrale pour accéder au porte-carte SIM.
2. Retirez l'alimentation de la centrale et débranchez la batterie et la ligne téléphonique.
3. Sur le porte-cartes de la SIM, faites glisser doucement le tiroir vers le bas pour **L'OUVRIRE**. Le porte-cartes de la SIM sur le bord supérieur de la carte de circuit imprimé du communicateur est ainsi déverrouillé. (Voir **Figure 3**).
4. Faites basculer le porte-cartes de la SIM vers le bas pour accéder à la carte SIM.

**REMARQUE** : Ne pliez ni n'éraflez les contacts de la carte SIM ; cela pourrait l'endommager. Manipulez la carte SIM avec précaution.

5. Insérez ou retirez la carte SIM, en notant l'orientation des encoches sur la carte SIM et sur son porte-carte.
6. Pour insérer une carte SIM, insérez la carte dans le bon sens et appuyez doucement sur le porte-carte SIM pour le faire glisser en position **VERROUILLÉE** dans le sens indiqué par la flèche sur le porte-carte.
7. Rebranchez la batterie de secours et la ligne téléphonique, rétablissez l'alimentation de la centrale et remettez en place le capot de la centrale.

## Acheminer le câble RS-232 (modèles R uniquement)

Quand vous installez le communicateur pour l'utiliser avec des applications tierces, un câble RS-232 doit être connecté entre le dispositif de tierce partie et le module du communicateur.

**REMARQUE** : La longueur maximale du câble RS-232 est de 2,4 m (8 pieds).

Veillez consulter le manuel d'installation du dispositif de tierce partie pour les instructions de câblage.

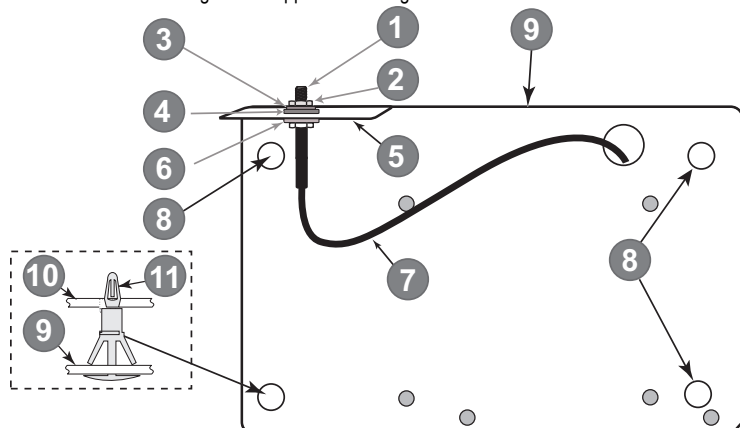
## Installation du communicateur dans la centrale

### Installation du communicateur avec les centrales HS20XX

**REMARQUE** : Avant d'installer le communicateur ou d'insérer/retraiter la carte SIM, assurez-vous que l'alimentation du système est à l'état Éteint et que la ligne téléphonique est débranchée.

1. Pour assembler le support de montage, procédez comme suit : (voir la **figure 1**).
  - a. Sortez les quatre entretoises en plastique blanc du sachet fourni avec le kit communicateur.
  - b. Insérez les quatre entretoises par l'arrière du support de montage fourni, dans les trous à chaque coin. (La languette de montage de l'antenne doit être du côté opposé à vous).
  - c. Posez le support sur une surface plane et rigide. Maintenez le communicateur face vers le haut et orientez les quatre trous du communicateur par rapport aux quatre entretoises qui dépassent du support. Poussez fermement et de manière uniforme le communicateur sur les entretoises pour le fixer sur le support de montage.
  - d. Retirez le capot du panneau avant.
  - e. Retirez et mettez au rebut la découpe circulaire défonçable située en haut à droite de la centrale. (Ce trou sera utilisé pour la connexion de l'antenne radio fournie).
  - f. Branchez sur la radio le câble d'antenne de 12,7 cm (5 pouces) fourni, en faisant passer le connecteur par le trou situé à l'arrière du support de montage jusqu'à la carte du communicateur. Poussez fermement le connecteur d'antenne dans la prise située sur la radio cellulaire. (Voir **Figure 3**).

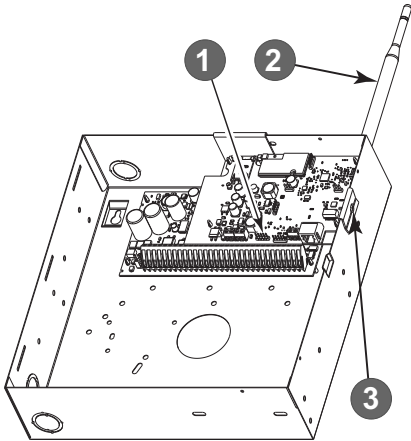
Figure 1 : Support de montage du communicateur



Élément	Description
1	Tige filetée d'antenne extérieure
2	Écrou en laiton
3	Rondelle en laiton
4	Rondelle en nylon (plate)
5	Onglet de fixation d'antenne
6	Rondelle en nylon à douille (rondelle plate plus épaisse)
7	Câble d'antenne
8	Trous de fixation
9	Plaque de fixation
10	Carte du communicateur
11	Entretoise

2. Installez le communicateur dans la centrale :
  - a. reliez une extrémité du câble PC-LINK à l'adaptateur PCLINK\_2 de la centrale (le fil rouge doit être relié à la borne sur le côté droit de l'adaptateur PCLINK\_2 de la centrale (voir **Figure 3**)).
  - b. Insérez le communicateur assemblé dans la centrale.  
**REMARQUE** : Assurez-vous que le point de branchement fileté de l'antenne est visible par le trou défonçable situé en haut à droite de la centrale.
  - c. Placez la rondelle en nylon avec bague (rondelle plate épaisse) sur la partie filetée du câble d'antenne. Insérez la partie filetée par le trou défonçable de support d'antenne situé en haut à droite de la centrale.
  - d. Placez la deuxième rondelle en nylon (plate), puis la rondelle et l'écrou en laiton, sur la partie filetée du câble, à l'extérieur de la centrale. Serrez l'ensemble à la main uniquement (vissez avec les doigts ; ne serrez pas excessivement l'ensemble antenne).
  - e. Positionnez le trou de vis sur la paroi droite de la centrale. Voir la **figure 2** « vis ». Alignez le communicateur assemblé avec la paroi latérale de la centrale et, à l'aide de la vis fournie, fixez le support de montage sur la centrale.
  - f. Reliez l'autre extrémité du câble PC-LINK au communicateur (le fil rouge doit être relié à la borne sur le côté droit de l'adaptateur PC-LINK du communicateur (voir **Figure 3**)).
  - g. En appuyant légèrement (uniquement avec les doigts), reliez l'antenne fouet blanche quadribande fournie au point de branchement fileté de l'antenne situé en haut de la centrale.

Figure 2 : Centrale HS2016/2016-4/2032/2064/2128



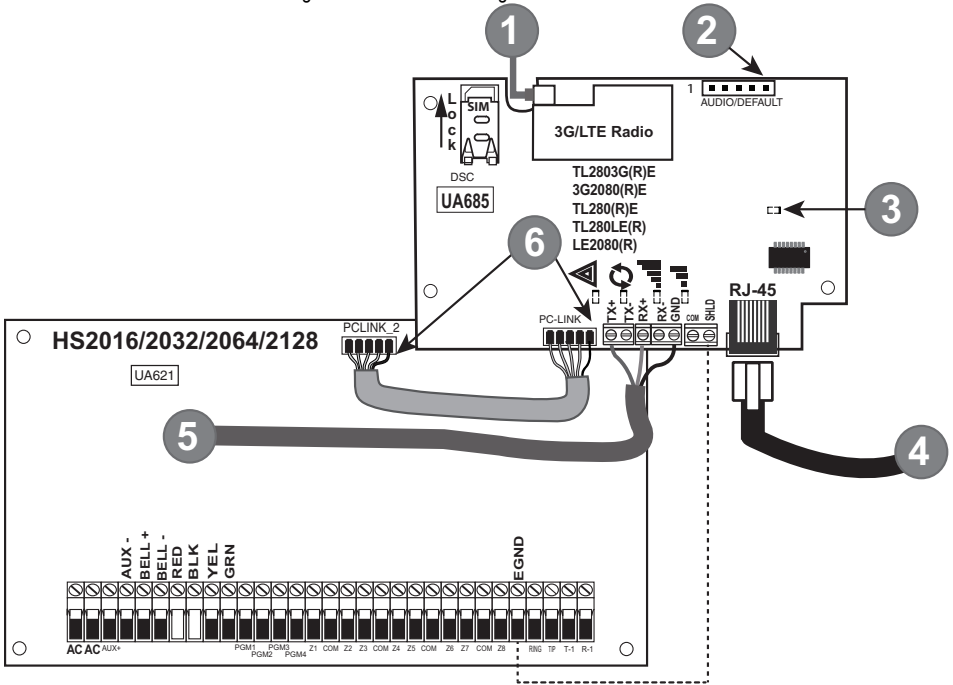
Élément	Description
1	Connecteur du câble PC-Link
2	Antenne fouet quadribande - Exercez une légère pression pour fixer l'antenne <b>avec les doigts</b> uniquement.
3	vis

**AVERTISSEMENT ! - Les modules 3G2080 (R)E/TL2803G(R)E/LE2080 (R)/TL280LE(R) sont de puissance limitée. Ne faites pas passer de câblage par-dessus les circuits imprimés. Maintenez une séparation de 25,4 mm (1 pouce) entre les circuits imprimés et le câblage. Une séparation d'au minimum 7 mm (1/4") doit être maintenue en tous points entre les câblages de puissance non limitée et ceux de puissance limitée.**

3. Pour brancher électriquement le communicateur à la centrale, effectuez les étapes suivantes (Voir **Figure 3**) :
  - a. débranchez les connexions de l'alimentation secteur et de la batterie de la centrale, puis débranchez la ligne du téléphone.
  - b. Vérifiez que la carte SIM est bien insérée dans son support et qu'elle est verrouillée.
4. Installez le câble réseau (modèles TLXXXX uniquement). Faites passer le câble Ethernet CAT5 par l'arrière de la centrale et branchez-le sur la prise RJ45 du communicateur.
5. Établissez la connexion RS-232 (modèles R uniquement).

**REMARQUE :** Avant de quitter les locaux, les lignes de communication Ethernet doivent d'abord être connectées à un dispositif NID agréé (qui convient aux autorités locales). Tous les câblages doivent être effectués dans le respect des normes électriques locales.

Figure 3 : Schéma de câblage du communicateur



Élément	Description
1	Vers antenne externe
2	AUDIO/PAR DÉFAUT Cavalier sur les broches 4 et 5 pour réinitialiser
3	Lien réseau - jaune
4	Depuis le NID, utilisez exclusivement un câble CAT5 supervisé Longueur de câble de 100 m maximum (328 pieds)
5	RS-232 vers l'équipement tiers
6	Fil rouge
<b>Tension nominale et courant nominal d'entrée :</b>	
<ul style="list-style-type: none"> <li>+10,8 V ~ +12,5 V CC</li> <li>90 mA 3G2080(R)E/120 mA TL2803G(R)E au repos ;</li> <li>90 mA 3G2080(R)E/LE2080(R)</li> <li>120 mA TL2803G(R)E/TL280LE(R)</li> <li>100 mA TL280(R)E</li> <li>400 mA en alarme</li> </ul>	
<b>Exigences d'alimentation minimale de la centrale DSC :</b>	
<ul style="list-style-type: none"> <li>Transformateur 16,5 V AC, 40 VA</li> <li>Batterie 12 V CC, 7 Ah</li> </ul>	

Si vous utilisez le communicateur avec un appareil tiers, effectuez les connexions comme indiqué dans le tableau ci-dessous :

Tableau 3 : Connexions RS-232

Dispositif de tierce partie	Communicateur
TX (RED)*	RX+
Inutilisé	RX-
RX (GRN)*	TX+
Inutilisé	TX-
GND (BLK)*	GND

\* Les couleurs des fils correspondent à celles du câble fourni dans la boîte du produit.

1. Réalisez les opérations suivantes pour la première mise sous tension de la centrale avec le communicateur installé :
  - a. rebranchez l'alimentation secteur, la ligne téléphonique et le connecteur « + » de la batterie à la centrale. (Le communicateur et la centrale se mettront sous tension ensemble).
  - b. Vérifiez que les témoins LED rouge et jaune du communicateur clignotent ensemble pendant l'initialisation. Les témoins LED rouge et jaune doivent continuer à clignoter jusqu'à ce que l'appareil ait communiqué correctement avec tous les récepteurs programmés.

**REMARQUE :** Pendant la réinitialisation de la radio, les deux témoins LED verts clignotent de façon alternée.

**REMARQUE :** L'initialisation peut mettre plusieurs minutes à s'effectuer. Les témoins LED rouge et jaune clignoteront ensemble tout le temps de l'initialisation. Ne passez pas à l'étape suivante tant que les témoins LED rouge et jaune n'ont pas cessé de clignoter. (Si le témoin LED jaune est le seul à clignoter, c'est qu'il y a un problème sur le communicateur et que les témoins LED verts ne sont pas valides pour le test d'emplacement du communicateur). Avant de continuer, corrigez le problème signalé par les clignotements du témoin LED jaune. (Voir Tableau 7 pour l'assistance au dépannage).

2. Effectuez le test d'emplacement du communicateur ci-dessous.
3. Montez la centrale à son emplacement final indiqué par le test d'emplacement.

## Test d'emplacement du Communicateur

### Uniquement pour les modèles de communicateurs cellulaires

Pour confirmer que l'emplacement de l'antenne 3G/GPRS convient pour l'utilisation de la radio, effectuez le test d'emplacement suivant :



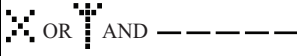
**REMARQUE :** Vous devrez peut-être déplacer la centrale ou installer une extension d'antenne en option si la force du signal radio n'est pas suffisante.

1. Vérifiez que le témoin LED jaune sur le communicateur ne clignote pas. Un témoin LED jaune clignotant signale un problème sur le communicateur. Reportez-vous au Tableau 7 pour corriger la cause de ce problème avant de passer à l'étape suivante.
2. Vérifiez que la force du signal radio sur le témoin LED jaune et les deux témoins LED verts du communicateur correspondent au moins aux exigences de niveau minimal de signal. Le témoin LED jaune est **ÉTEINT** et le témoin LED 1 **■** (le plus éloigné du témoin LED jaune) est **ALLUMÉ** (c.-à-d., non clignotant) pour l'emplacement de la centrale dans des conditions acceptables. Pour une interprétation de la force de signal du récepteur sur les témoins LED, consultez le tableau « **Force du signal radio** » .

## Affichage de la force du signal du réseau cellulaire – Clavier ACL uniquement

La force du signal du réseau cellulaire est affichée sur l'écran d'un clavier ACL en accédant à la section de programmation de l'installateur [850]. L'écran ACL indique l'état d'activation de la carte SIM suivi d'une barre à 5 niveaux de force du signal. L'affichage est actualisé automatiquement toutes les trois secondes. Pour la relation entre les barres de force de signal, le niveau CSQ et le niveau de signal en dBm, consultez « Force du signal radio ».

Tableau 4 : Affichage de la force du signal

Description	Affichage
Carte SIM active et force du signal actuel	
Carte SIM inactive et force du signal actuel	
Signal radio non enregistré	

**REMARQUE :** Si la force de signal nécessaire est trop faible avec la centrale à son emplacement actuel, elle doit être déplacée ou une antenne externe est indispensable.

Si nécessaire, les kits d'extension d'antenne 3G/GPRS suivants sont disponibles pour l'installateur :

- GS-15ANTQ - 4,57 m (15 pieds) Kit d'extension d'antenne interne (convient pour un montage en intérieur).
- GS-25ANTQ - 7,62 m (25 pieds) Kit d'extension d'antenne extérieure (convient pour montage en intérieur/extérieur).
- GS-50ANTQ - 15,24 m (50 pieds) Kit d'extension d'antenne extérieure (convient pour montage en intérieur/extérieur).

Des instructions spécifiques d'installation de l'extension d'antenne sont fournies avec ce kit. Respectez toutes les instructions de sécurité électrique pour l'installation de l'antenne. Tout le câblage de l'équipement doit être pleinement conforme aux normes et aux réglementations locales.

3. Si nécessaire, installez l'extension d'antenne et procédez comme suit pour déterminer le meilleur emplacement pour le positionnement de l'antenne :
  - a. Débranchez l'antenne fouet blanche de la centrale.
  - b. Fixez une extrémité du câble d'extension d'antenne au connecteur fileté d'antenne de la centrale et l'autre extrémité à l'antenne externe.
4. Déplacez l'extension d'antenne à différents emplacements en observant les deux témoins LED verts sur la centrale.
  - a. Poursuivez le repositionnement de l'extension d'antenne jusqu'à recevoir une force de signal acceptable (au minimum un témoin LED vert allumé fixe).

**REMARQUE :** La force minimale du signal est : ■■■ témoin LED 1 vert clignotant et ▲ témoin LED jaune éteint. Si le témoin LED 1 vert est clignotant, il faut envisager un repositionnement.

- b. Montez le support d'extension d'antenne à l'emplacement qui a donné la meilleure force de signal.
5. Vous pouvez également repositionner la centrale pour améliorer la force du signal. Démontez la centrale et déplacez-la ailleurs pour obtenir la force de signal voulue. Si la centrale est déplacée pour améliorer la force du signal, montez-la au nouvel emplacement.
  6. Quand l'emplacement final de la centrale/l'antenne est défini, allez au paragraphe **Programmation initiale de la centrale**.

**REMARQUE :** Si la carte SIM n'est pas activée, le test d'emplacement indiquera la force du signal de la tour cellulaire la plus proche.

**REMARQUE :** Entre deux affichages de la force de signal, les témoins LED de force du signal clignotent de façon alternée si une carte SIM inactive est utilisée. Le clignotement indique que le module tente de joindre le réseau cellulaire et ne durera qu'un court moment.

## Programmation initiale de la centrale

### Affichage des données à partir du clavier

- **Options de bascule des sections :** le numéro s'affiche lorsque l'option de bascule est à l'état « Allumé » et il ne s'affiche pas lorsqu'elle est à l'état « Éteint ». (par exemple, les options de bascule afficheront : [-3--6-]). Les options 3 et 6 sont à l'état « Allumé », toutes les autres sont à l'état « Éteint ». Appuyer sur les touches 1 à 8 permet de faire basculer alternativement l'option entre Allumé et Éteint.
- **Données hexa/décimales :** les valeurs qui sont fournies avec deux valeurs par défaut, séparées par le caractère « / », utilisent le format suivant : hexadécimal suivi d'un équivalent décimal (par ex., par défaut [0BF5/3061]). Les nombres hexadécimaux sont indiqués avec tous les zéros d'en tête sur la longueur complète du champ défini pour le nombre.



## Saisie de valeurs hexadécimales au clavier

Pour saisir des valeurs hexadécimales au clavier, appuyez sur la touche \* avant de saisir la valeur. (par ex., pour entrer « C » au clavier, appuyez sur [\*][3]).

## Saisie de caractères ASCII au clavier

1. Appuyez sur [\*] et sur les boutons de défilement [<] [>] pour afficher « ASCII Entry » sur l'écran LCD.
2. Appuyez sur [\*] pour passer en mode de saisie ASCII.
3. Utilisez les touches de défilement [<] [>] pour afficher le caractère souhaité et appuyez sur [\*] pour l'enregistrer et quitter le mode ASCII.
4. Répétez la procédure ci-dessus pour entrer un autre caractère ASCII.

## Programmation initiale HS2016/2016-4/2032/2064/2128

Veillez consulter le paragraphe « Configuration du communicateur secondaire » du manuel de la centrale pour plus de détails. Ces sections doivent être programmées sur le clavier de la centrale. Entrez [\*][8][Code installateur][Numéro de section]. Notez les valeurs modifiées par rapport à leurs valeurs par défaut, dans les fiches appropriées pour la centrale ou le communicateur.

1. Dans la section [377] « Variables de Communication », à la sous-section [002] « Délai de Communication », et sous-section [1] « Délai de Communication », programmez 060 (secondes).
2. Dans la section [382] « Option 3 du communicateur » de la centrale, activez l'option [5].

**REMARQUE :** Si cette option est à l'état Éteint, le témoin LED jaune d'état du communicateur indique « Défaut de supervision de la centrale » (2 clignotements) et il est impossible de programmer l'appareil via le câble PC-Link.

## Activation du communicateur avec C24 Communications

L'installation des modules 3G2080(R)E/LE2080(R) ou TL2803G(R)E/TL280LE(R) en Amérique du Nord nécessite l'activation du service C24 communications afin de fonctionner. Veuillez contacter le central de télésurveillance (revendeur principal du service C24 Communications) pour vérifier les opérations d'activation/de programmation du communicateur. Toutes les options du communicateur doivent être programmées via le service C24 Communications, sauf les options Ethernet suivantes qui peuvent également être programmées à l'aide du clavier ou du DLS :

- [001] Adresse IP Ethernet
- [002] Masque de sous-réseau IP Ethernet
- [003] Adresse IP de passerelle Ethernet

**REMARQUE :** L'activation de la carte SIM avec l'exploitant peut s'effectuer après plusieurs heures. Il est recommandé de terminer l'activation avant d'arriver sur le site client pour éviter tout délai d'installation éventuel.

Une fois l'activation de la carte SIM achevée, le communicateur se connecte automatiquement et télécharge sa programmation depuis les communications C24.

## Témoins LED d'état du communicateur

Le communicateur est équipé de quatre indicateurs LED. Un témoin LED jaune de problème, un témoin LED rouge d'état de connexion réseau et deux témoins LED verts de force du signal. La signification des témoins LED est décrite dans la présente section.

### ▲ Témoin LED jaune de problème

Ce témoin LED jaune clignote pour signaler un problème sur l'appareil. Le nombre de clignotements indique le type du problème. Consultez le tableau ci-dessous pour prendre connaissance des codes de clignotement et des états qui activent ce témoin LED.

Tableau 5 : Témoin LED jaune de problème

Numéro de Clignotant	Problème	Numéro de Clignotant	Problème
2	Défaut de supervision de la centrale	7	Problème de récepteur non disponible
4	Non applicable	8	Problème de supervision de récepteur
5	Problème de réseau cellulaire	9	Problème FTC
6	Problème de réseau Ethernet	12	Problème de configuration du module

**REMARQUE :** Seul le problème de priorité la plus élevée (2 clignotements est la priorité la plus élevée) est signalé. Quand ce problème est rétabli, le problème suivant le plus important sera indiqué, si présent. Cette opération continue tant que tous les problèmes ne sont pas résolus (le témoin LED jaune ne clignote pas).

Les paragraphes ci-dessous décrivent les états correspondant à chaque problème :

## Problème de supervision de la centrale (2 clignotements)

Ce problème apparaît en cas d'échec de communication entre le module communicateur et la centrale. Si pour une raison quelconque le module ne peut pas communiquer avec la centrale (par exemple, perte d'alimentation de la centrale), le module lui-même envoie un message « Défaut centrale absente » au récepteur du central de télésurveillance. Lorsque les communications sont restaurées, un message « Reprise de la centrale absente » est envoyé par le module au récepteur du central de télésurveillance. Ses codes de signalisation sont ET0001 pour Problème et ER0001 pour Reprise. L'événement de centrale absente utilise toujours le code de compte du récepteur principal lorsqu'il est communiqué au central de télésurveillance.

**REMARQUE :** L'événement de problème/reprise de supervision de la centrale est généré en interne par le communicateur. Ce sont les seuls événements internes ; tous les autres événements sont générés par la centrale. Un problème est géré si le communicateur manque six collectes. Le problème est restauré à réception de la première collecte depuis la centrale.

## Problème 3G/GPRS (5 clignotements)

Ce problème est signalé pour l'une des quatre situations suivantes :

1. **Défaillance radio :** le problème est signalé après huit échecs de communication avec la radio 3G/GPRS.
2. **Défaillance SIM :** le problème est signalé après dix échecs de communication avec la carte SIM.
3. **Problème réseau 3G/GPRS :** le problème est signalé en cas de perte de l'enregistrement auprès du fournisseur du réseau.
4. **Force du signal insuffisante :** le problème est signalé lorsque la force moyenne calculée du signal est trop faible. (Les deux témoins LED verts sont éteints). Le problème est effacé quand la force moyenne calculée du signal est supérieure aux exigences minimales (c'est-à-dire > CSQ 5).

**REMARQUE :** Si le bit 8 de l'option [851][005] est éteint, une valeur CSQ  $\leq 4$  ne déclenche pas le problème cellulaire

## Problème Ethernet (6 clignotements)

Ce problème est signalé lorsque la liaison Ethernet entre l'émetteur et le commutateur local ou le routeur est absente. Ce problème sera également signalé si l'appareil ne parvient pas à obtenir du serveur DHCP les paramètres Dynamic Host Control Protocol. (Non actif si les récepteurs Ethernet ne sont pas programmés).

## Récepteur non disponible (7 clignotements)

Ce problème est signalé si l'appareil ne peut pas s'initialiser correctement avec l'un des récepteurs programmés. Les récepteurs non programmés sont exclus. Ce problème est également signalé si les APN des récepteurs 3G/GPRS n'ont pas été programmés dans les sections [205] et [215].

## Problème de supervision du récepteur (8 clignotements)

Ce problème est signalé lorsque la supervision de récepteur est activée et que la communication échoue entre le module communicateur et le récepteur. Le problème est signalé si le service Ethernet 1 et/ou cellulaire 1 est supervisé et qu'il ne reçoit pas de battement de cœur du récepteur ou si 3G/GPRS est supervisé et que l'appareil ne reçoit pas d'accusé de 4 battements de cœur envoyés au récepteur.

## Problème FTC (9 clignotements)

Ce problème est signalé lorsque l'appareil n'arrive pas à communiquer les événements du module à la station centrale. Le problème est affiché après que l'appareil a épuisé toutes les tentatives de communication vers tous les récepteurs programmés pour les événements générés par le communicateur.

## Problème de configuration du module (12 clignotements)

Ce problème est signalé quand le code de compte système ou le compte de récepteur n'ont pas été programmés. Les récepteurs désactivés sont exclus.

### ▲ Témoin LED rouge d'état de connexion réseau

TL2803G(R)E/TL280LE(R)

**CLIGNOTANT :** communications en cours.

- Un seul clignotement rapide pour transmission Ethernet sortante.
- Deux clignotements rapides pour signaler un Ethernet ACK/NACK entrant.

**ÉTEINT :** C'est l'état normal du témoin LED rouge d'état de connexion réseau. Pas de problème de connexion réseau en cours.

**ALLUMÉ** : il y a un problème de connexion réseau Ethernet ou avec le réseau 3G/GPRS. Le témoin LED est allumé dans l'un des cas suivants : le câble Ethernet n'est pas connecté, le temps de configuration DHCP est dépassé, l'appareil n'arrive pas à obtenir une adresse IP du réseau cellulaire ou la connexion cellulaire a été réinitialisée.

**■ (Témoin LED vert 1) ■ (Témoin LED vert 2) et ▲ (Témoin LED jaune) Force du signal**

**REMARQUE** : Si le témoin LED jaune clignote, c'est que la force du signal indiquée dans le tableau ci-dessous n'est pas valide.

Voir **Tableau 7** pour résoudre les problèmes signalés par les clignotements du témoin LED jaune.

Tableau 6 : Force du signal radio

Signal Force	Niveau CSQ	Témoin LED jaune	Témoin LED vert 2	Témoin LED vert 1	dBm du niveau de signal	Action nécessaire
Radio non prête	N/D	N/D	Clignotement alterné	Clignotement alterné	N/D	Si l'état persiste et que le témoin LED jaune clignote 5 fois, confirmez que la carte SIM est active. Vérifiez que le service 3G/GPRS est bien actif dans votre zone. Changez la centrale de place ou installez une antenne externe.
Aucun signal	0	Allumé	Éteint	Éteint	-113 ou inférieur	Vérifiez tous les branchements des antennes.
1 barre	1 - 4.	Clignotement, voir Remarque	Éteint	Clignotant	-111 à -105	Déplacez la centrale ou installez une antenne externe si la LED jaune de problème clignote cinq fois.
2 barres	5 - 6.	Éteint	Éteint	Clignotant	-103 à -101	
3 barres	7 - 10.	Éteint	Éteint	Allumé	-99 à -93	L'emplacement est OK. L'intensité du signal 3G/GPRS est supérieure à CSQ 7.
4 barres	11-13	Éteint	Clignotant	Allumé	-91 à -87	
5 barres	14 +	Éteint	Allumé	Allumé	-85 et au-dessus	

**REMARQUE :** Le communicateur signale un problème 3G/GSM (témoin LED jaune = 5 clignotements) si le niveau CSQ moyen est égal ou inférieur à 4.

### Témoins LED d'activité réseau : rouge et vert (TL2803G(R)E/TL280LE(R) uniquement)

- **Activité Ethernet :** le témoin LED rouge clignote rapidement une seule fois pour une émission Ethernet, ou deux fois pour une réception Ethernet.
- **Activité 3G/GPRS :** le témoin LED vert 2 clignote rapidement une seule fois pour une émission 3G/GPRS, ou deux fois pour une réception 3G/GPRS.

## Réinitialisation/Mise à jour du communicateur

### Retour aux valeurs d'usine par défaut

Réinitialisez les options de programmation du communicateur aux valeurs d'usine en installant le cavalier matériel. Procédez comme suit pour réinitialiser le communicateur :

**REMARQUE :** Un cavalier est requis sur les broches 4 et 5 AUDIO/DEFAULT pour réinitialiser les valeurs du matériel.

1. Retirez le capot avant de la centrale.
2. Repérez le connecteur AUDIO/DEFAULT à cinq broches sur la carte du communicateur (voir Figure 3).
3. Posez un cavalier pour court-circuiter les broches 4 et 5 de valeurs par défaut du matériel.
4. Supprimez de la centrale l'alimentation secteur et continue, puis réappliquez l'alimentation à la centrale.
5. Attendez que les deux témoins LED verts du communicateur commencent à flasher rapidement.
6. Retirez le cavalier des broches 4 et 5 de valeurs par défaut du matériel (les témoins LED verts cessent de flasher).
7. Remettez en place le capot de la centrale.

**REMARQUE :** Votre communicateur a maintenant été réinitialisé aux valeurs par défaut d'usine.

### Mise à jour du micrologiciel

Le micrologiciel de l'appareil peut être mis à jour via 3G/GPRS ou via Ethernet (mise à jour à distance ou locale) :

- Lorsque la mise à jour du micrologiciel démarre, les quatre témoins LED sont allumés.
- Pendant le procédé de mise à jour du micrologiciel, les témoins LED s'allument et s'éteignent comme les lumières d'une guirlande.
- Pendant la mise à jour du logiciel interne, le cycle en guirlande s'interrompt brièvement pour reprendre ensuite. Cela indique que la vérification du micrologiciel a réussi et que la mise à jour proprement dit va commencer.
- Une fois que la mise à jour a réussi, l'appareil redémarre automatiquement.

- En cas d'échec de la mise à jour, les quatre témoins LED clignotent allumés ensemble, puis éteints ensemble à des intervalles d'une seconde.

**REMARQUE :** En cas d'échec de la mise à jour du micrologiciel, redémarrez l'appareil en l'éteignant, puis le rallumant. En cas d'échecs de mise à jour persistants, contactez support technique.

## Dépannage du Communicateur

**REMARQUE :** Pour plus de détails :

- Reportez-vous à la section [983] pour le dépannage des mises à jour de micrologiciel
- Reportez-vous à la section [984] pour vérifier l'état des problèmes
- Consultez la section [985] pour résoudre les problèmes d'initialisation du module radio

Tableau 7 : Indication de problème

Problème	Problème	Causes possibles	Solution possible au problème
Pas d'indication	N/D	Pas d'alimentation	<ul style="list-style-type: none"> <li>• Vérifiez les connexions électriques entre la centrale et le communicateur.</li> <li>• Vérifiez que le câble PC-LINK est correctement installé entre le communicateur et la centrale.</li> </ul>
Témoin LED jaune – Allumé fixe	N/D	Aucun signal	<ul style="list-style-type: none"> <li>• Vérifiez que le service réseau 3G/GPRS est bien actif dans votre zone.</li> <li>• Vérifiez que l'antenne est fermement connectée à la radio. Vérifiez que le câble de l'antenne est solidement connecté à la radio.</li> <li>• En cas d'utilisation d'une antenne externe, vérifiez que l'antenne est solidement vissée sur le connecteur du câble d'antenne. Vérifiez si l'antenne externe n'est pas endommagée, en circuit ouverte ou en court-circuit.</li> </ul>
Témoin LED de problèmes – flashe deux fois	02	Défaut de supervision de la centrale	<ul style="list-style-type: none"> <li>• Vérifiez que l'option [5] de la section [382] est bien Allumé (Activer le communicateur alternatif).</li> <li>• Vérifiez que le câble PC-LINK reliant la Centrale et le communicateur est correctement connecté (qu'il n'est pas connecté à l'envers) et qu'il est solidement en place.</li> </ul>
Témoin LED jaune – flashe cinq fois	05	Problème de réseau cellulaire	<ul style="list-style-type: none"> <li>• Vérifiez que le service 3G/GPRS est bien disponible et actif dans votre zone.</li> <li>• Vérifiez tous les branchements des antennes.</li> <li>• Vérifiez que l'intensité moyenne du signal radio est CSQ 5 ou supérieure. (Voir Tableau 7).</li> <li>• Vérifiez que la carte SIM est correctement insérée dans son support.</li> <li>• Vérifiez que la carte SIM a été activée (après l'installation, l'activation s'effectuera dans les 24 heures).</li> <li>• Si le problème persiste, vous devez changer de place la centrale et le Communicator ou installer un kit d'extension d'antenne externe.</li> </ul>
Témoin LED jaune – flashe six fois	06	Problème de réseau Ethernet	<ul style="list-style-type: none"> <li>• Vérifiez auprès de le FAI si le service Internet est bien actif dans la zone.</li> <li>• Assurez-vous que le câble Ethernet est bien inséré dans la prise RJ45 du communicateur et dans le concentrateur/routeur/commutateur.</li> <li>• Vérifiez que la diode du concentrateur/routeur/commutateur est bien ALLUMÉE. Si elle est ÉTEINTE, essayez de redémarrer le hub/routeur/commutateur.</li> <li>• En cas d'utilisation de DHCP, vérifiez qu'une adresse IP a bien été attribuée à l'appareil par le serveur. Dans la section [851] [992], vérifiez qu'une adresse IP valide est bien programmée. Si ce n'est pas le cas, contactez l'administrateur du réseau.</li> <li>• Si le problème persiste, remplacez le câble Ethernet et le connecteur RJ45.</li> </ul>

Problème	Problème	Causes possibles	Solution possible au problème
Témoin LED jaune – flashe sept fois	07	Récepteur non disponible	<ul style="list-style-type: none"> <li>• Vérifiez que le réseau Ethernet dispose bien d'une connexion à Internet.</li> <li>• Si vous utilisez une adresse IP statique, vérifiez que l'adresse de passerelle et le masque de sous-réseau sont entrés correctement.</li> <li>• Si le réseau a un pare-feu, assurez-vous que les ports sortants programmés sont bien ouverts (par défaut, les ports UDP 3060 et 3065).</li> <li>• Assurez-vous que tous les récepteurs sont programmés pour utiliser DHCP ou que leur adresse IP et leur numéro de port sont corrects.</li> <li>• Assurez-vous que les APN des récepteurs 3G/GPRS ont été programmés avec le nom de point d'accès communiqué par votre fournisseur 3G/GPRS.</li> <li>• Si le mode Commun est utilisé, et une seule voie est initialisée alors que les autres voies sont en échec, il faut produire une transmission de test manuelle sur les deux voies ou réaliser un cycle de mise en route du communicateur pour rétablir le problème « Récepteur Non Disponible ».</li> </ul>
Témoin LED jaune – flashe huit fois	08	Problème de supervision de récepteur	<ul style="list-style-type: none"> <li>• Ce problème est signalé lorsque la supervision est activée et que l'appareil ne parvient pas à communiquer correctement avec le récepteur.</li> <li>• Si le problème persiste, contactez le central de télésurveillance.</li> </ul>
Témoin LED jaune – flashe neuf fois	09	Problème EDC	<ul style="list-style-type: none"> <li>• L'appareil a épuisé toutes les tentatives de communication vers tous les récepteurs programmés pour les événements générés par le communicateur.</li> <li>• Redémarrez le système. Si le problème persiste, contactez le revendeur.</li> </ul>
Témoin LED jaune – flashe douze fois	0C	Problème configuration module	<ul style="list-style-type: none"> <li>• Cette indication apparaît lorsque le code de compte du système dans la section [021] ou le code de compte du récepteur sections [101] ; [111] ; [201] ; et [211] n'ont pas été programmés. Assurez-vous qu'un code de compte valide a été entré dans ces sections.</li> </ul>
Tous les témoins LED flashent ensemble	N/D	Échec du chargeur de démarrage	<ul style="list-style-type: none"> <li>• Débranchez puis rebranchez l'alimentation du module communicateur.</li> </ul>
Témoins LED rouge et jaune flashent ensemble	N/D	Séquence d'initialisation	<ul style="list-style-type: none"> <li>• L'appareil est encore en phase d'initialisation. Attendez qu'il établisse une connexion avec tous les récepteurs programmés.</li> </ul> <p><b>REMARQUE :</b> l'initialisation peut prendre plusieurs minutes.</p>
Seuls les témoins LED flashent	N/D	Cavalier de valeurs par défaut du matériel	<ul style="list-style-type: none"> <li>• Le cavalier de valeurs par défaut du matériel doit être retiré. (Voir Figure 3).</li> </ul>
Alternance des témoins LED verts	N/D	Réinitialisation Radio ou Initialisation Radio	<ul style="list-style-type: none"> <li>• Si l'état persiste et le témoin LED jaune flashe 5 fois, confirmez que la carte SIM est active.</li> </ul>

## Garantie limitée

Digital Security Controls garantit le produit contre toute défectuosité matérielle et d'assemblage dans des conditions normales d'utilisation, à l'acheteur original pendant une période de douze mois à partir de la date d'achat. Pendant la période de garantie, Digital Security Controls s'engage, à son choix, à réparer ou à remplacer tout matériel défectueux dès son retour à un dépôt de réparation, sans frais de main d'œuvre et matériels. Tout remplacement et/ou réparation sont garantis pendant le reste de la durée de la garantie originale ou quatre-vingt-dix (90) jours, selon la plus longue. L'acheteur original doit avertir immédiatement Digital Security Controls par courrier que le matériel ou l'assemblage est défectueux; dans tous les cas, cette notification doit être reçue avant la date d'expiration de la période de garantie. Il n'y a absolument aucune garantie sur les logiciels et tous les produits logiciels sont vendus comme licence d'utilisateur dans le cadre des termes du contrat de licence du logiciel fourni avec le produit. Le client assume toute la responsabilité pour la sélection, l'installation, et l'entretien de tout produit acheté auprès de DSC. Les produits personnalisés ne sont garantis que dans la mesure où ils ne fonctionnent pas à la livraison. Dans ce cas, DSC peut, à son choix, remplacer le produit ou créditer le client.

### Garantie internationale

La garantie pour clients internationaux est la même que pour tous les clients au Canada et aux États-Unis, excepté que Digital Security Controls ne sera pas tenu pour responsable des frais de douanes, taxes ou TVA qui pourraient être dus.

### Procédure pour la garantie

Pour obtenir un service sous garantie, veuillez retourner le(s) produit(s) en question au point d'achat. Tous les distributeurs et revendeurs agréés disposent d'un programme de garantie. Quiconque retourne des marchandises à Digital Security Controls doit obtenir au préalable un numéro d'autorisation. Digital Security Controls n'acceptera aucun envoi pour lequel une autorisation préalable n'aura pas été obtenue.

### Conditions d'annulation de la garantie

Cette garantie ne s'applique qu'aux vidéos de matériels et d'assemblage liés à une utilisation normale. Elle ne couvre pas :

- les dommages encourus lors de l'expédition ou de la manutention ;
- les dommages causés par une catastrophe telle qu'un incendie, une inondation, du vent, un tremblement de terre ou la foudre ;
- les dommages dus à des causes hors de contrôle de Digital Security Controls telles qu'une tension excessive, un choc mécanique ou un dégât de seaux ;
- les dommages causés par une fixation, des changements, des modifications ou des objets étrangers non autorisés ;
- les dommages causés par des périphériques (à moins que ces périphériques n'aient été fournis par Digital Security Controls.) ;
- les défauts causés par l'impossibilité de fournir un environnement d'installation adapté aux produits ;
- les dommages causés par l'utilisation des produits pour des usages autres que ceux pour lesquels ils ont été conçus ;
- les dommages découlant d'un mauvais entretien ;
- les dommages provenant de tout autre mauvais traitement, manutention ou utilisation des produits.

### Éléments non couverts par la garantie

En plus des éléments qui annulent la garantie, la garantie ne couvrira pas : (i) les frais de transport jusqu'au centre de réparation ; (ii) les produits qui ne sont pas identifiés avec l'étiquette de produit de DSC et un numéro de lot ou un numéro de série ; (iii) les produits démontés ou réparés d'une manière qui affecte leur performance ou qui empêche une inspection ou un test adéquat afin de vérifier toute réclamation au titre de la garantie. Les cartes d'accès ou insignes renvoyés pour être remplacés au titre de la garantie seront remplacés ou crédités selon le choix de DSC. Les produits quine sont pas couverts par cette garantie ou qui ne sont plus garantis parce qu'ils sont trop vieux, qu'ils ont été mal utilisés ou endommagés, seront examinés et un devis de réparation sera fourni. Aucune réparation ne sera effectuée avant la réception d'un bon de commande valable envoyé par le client et d'un numéro d'autorisation de renvoi de marchandise (RMA) délivré par le service client de DSC.

S'il y a un problème de réparation du produit après un nombre raisonnable de tentatives au titre de la présente garantie, les obligations contractuelles de la société Digital Security Controls seront limitées au remplacement du produit, comme seule réparation de l'insatisfaction de la garantie. En aucun cas Digital Security Controls ne sera tenu pour responsable des dommages particuliers, accidentels ou indirects basés sur l'insatisfaction de la garantie, une rupture de contrat, une négligence, une responsabilité stricte ou sur toute autre théorie juridique. De tels dommages incluent notamment, mais pas exclusivement, une perte de profits, une perte de produit ou de tout autre équipement associé, un coût de capital, un coût de remplacement des équipements, des installations ou des services, un temps d'arrêt, le temps de fâcher, les réclamations de tiers, notamment des clients, ainsi que des dommages à la propriété. Dans certains juridictions, la loi limite ou ne permet pas une exonération de garantie en cas de dommages indirects. Si les lois d'une telle juridiction s'appliquent à une réclamation par ou contre DSC, les limitations et les exonérations contenues dans la présente garantie respecteront la loi. Certains états ne permettent pas l'exonération ou la limitation des dommages accidentels ou indirects ; la déclaration ci-dessus pourrait donc ne pas s'appliquer à votre cas.

### Stipulation d'exonération de garanties

Cette Garantie contient l'entière garantie et demeure à la place de toutes autres garanties, que ce soit expresse ou implicite (incluant toutes garanties implicites de marchandise ou aptitude pour un usage particulier) et de toutes autres obligations ou responsabilités de la part de Digital Security Controls. Digital Security Controls n'assume et n'autorise aucune autre personne prétendant agir de sa part de modifier ou changer cette garantie, n'assume pour cela aucune autre garantie ou responsabilité concernant ce produit.

Cette exonération de garanties et garantie restreinte sont gouvernées par les lois de la province de l'Ontario, Canada.

Digital Security Controls recommande de tester complètement et régulièrement l'ensemble du système. Toutefois, même si vous faites des tests périodiques, il peut arriver que le fonctionnement du produit ne soit pas conforme aux spécifications en raison notamment, mais pas exclusivement, d'interventions criminelles ou de panne de courant.

### Verrouillage de l'installateur

Tout produit en retour auprès de DSC avec l'option de verrouillage de l'installateur activée et qui ne montre pas d'autres problèmes sera soumis à une intervention payante.

### Réparations en dehors de la garantie

Digital Security Controls, à son choix, réparera ou remplacera en dehors de la garantie les produits renvoyés à son usine dans les conditions suivantes. Quiconque retourne des marchandises à Digital Security Controls doit obtenir au préalable un numéro d'autorisation. Digital Security Controls n'acceptera aucun envoi pour lequel une autorisation préalable n'aura pas été obtenue.

Les produits que Digital Security Controls juge être réparables seront réparés et renvoyés. Les frais pré-déterminés par Digital Security Controls, et sujets à une révision périodique, seront facturés pour chaque unité réparée.

Les produits que Digital Security Controls juge ne pas être réparables seront remplacés par le produit équivalent le plus proche disponible à ce moment. Le prix du marché en cours du produit de remplacement sera facturé pour chaque unité de remplacement.

## CLU

**IMPORTANT, À LIRE ATTENTIVEMENT :** Le logiciel DSC acheté avec ou sans Produits et Composants est protégé par le droit d'auteur et il est acheté conformément aux modalités du contrat de licence :

Ce Contrat de licence d'utilisation (« CLU ») est une entente légale entre Vous (l'entreprise, l'individu ou l'entité qui a acheté le logiciel tel matériel connexe) et Digital Security Controls, une filiale de Tyco Safety Products Canada Ltd. (« DSC »), le fabricant des systèmes de sécurité intégrés et le développeur du logiciel et de tout produit ou composant connexe (« MATÉRIEL S ») que Vous avez acquis.

Si le produit logiciel DSC (« PRODUIT LOGICIEL » ou « LOGICIEL ») a été conçu pour être accompagné par du MATÉRIEL et s'il n'est PAS accompagné par un nouveau MATÉRIEL, Vous n'avez pas le droit d'utiliser, de copier ou d'installer le PRODUIT LOGICIEL. Le PRODUIT LOGICIEL comprend le logiciel, et peut aussi comprendre des médias connexes, des matériels imprimés et de la documentation « en ligne » ou électronique.

Tout logiciel fourni avec le PRODUIT LOGICIEL qui est lié à un contrat de licence d'utilisation séparé Vous donne des droits conformément aux modalités de ce contrat de licence.

En installant, copiant, téléchargeant, sauvegardant, accédant ou utilisant d'une manière quelconque le PRODUIT LOGICIEL, Vous acceptez inconditionnellement d'être lié par les modalités de ce CLU, même si ce CLU est considéré une modification de tout accord ou contrat antérieur. Si vous n'acceptez pas les modalités du CLU, DSC refuse de Vous octroyer une licence d'utilisation du PRODUIT LOGICIEL et Vous n'avez pas le droit de l'utiliser.

### LICENCES DU PRODUIT LOGICIEL

Le PRODUIT LOGICIEL est protégé par des lois sur le droit d'auteur et des traités internationaux sur le droit d'auteur, ainsi que par d'autres lois et traités de la propriété intellectuelle. Le droit d'utilisation du PRODUIT LOGICIEL est octroyé, pas vendu.

#### 1. OCTROI DE LA LICENCE. Ce CLU vous donne les droits suivants :

**Installation et utilisation du logiciel** - Pour chacune des licences acquises, Vous n'avez le droit d'installer qu'un seul exemplaire du PRODUIT LOGICIEL.

**Utilisation de stockage en réseau** - Le PRODUIT LOGICIEL ne peut pas être installé, accédé, affiché, exécuté, partagé ou utilisé simultanément sur des ordinateurs différents, notamment une station de travail, un terminal ou autre dispositif électronique numérique (« Dispositif »). Autrement dit, si Vous avez plusieurs postes de travail, Vous devez acheter une licence pour chaque poste de travail où le LOGICIEL sera utilisé.

**Copie de sauvegarde** - Vous pouvez faire des copies de sauvegarde PRODUIT LOGICIEL, mais vous ne pouvez avoir qu'une seule copie installée par licence à tout moment. Hormis ce qui est expressément prévu dans ce CLU, Vous n'avez pas le droit de faire des copies du PRODUIT LOGICIEL, les matériels imprimés accompagnant le LOGICIEL compris. Hormis ce qui est expressément prévu dans ce CLU, Vous n'avez pas le droit de faire des copies du PRODUIT LOGICIEL, les matériels imprimés accompagnant le LOGICIEL compris.

#### 2. DESCRIPTIONS D'AUTRES DROITS ET LIMITES

**Limites relatives à la rétro-ingénierie, à la décompilation et au désassemblage** - Vous n'avez pas le droit de désosser, décompiler ou désassembler le PRODUIT LOGICIEL, sauf et seulement dans la mesure dans laquelle une telle activité est explicitement permise par la loi en vigueur, sans égard à ces limites. Vous n'avez pas le droit de faire des changements ou des modifications, quels qu'ils soient, sans la permission écrite d'un dirigeant de DSC. Vous n'avez pas le droit de retirer les notices, les marques ou les étiquettes privatives du Produit Logiciel. Vous devez instituer des mesures raisonnables pour assurer la conformité aux modalités de ce CLU.

**Séparation des Composants** - Le PRODUIT LOGICIEL est fourni sous licence en tant que produit unique. Ses parties composantes ne peuvent pas être séparées pour être utilisées surplu d'un MATÉRIEL.

**PRODUIT INTÉGRÉ unique** - Si vous avez acquis ce LOGICIEL avec du MATÉRIEL, le PRODUIT LOGICIEL est autorisé à être utilisé avec le MATÉRIEL en tant que produit intégré unique. Dans ce cas, le PRODUIT LOGICIEL ne peut être utilisé qu'avec le MATÉRIEL conformément à ce CLU.

**Location** - Vous n'avez pas le droit de louer, de mettre en bail ou de prêter le PRODUIT LOGICIEL. Vous n'avez pas le droit de le mettre à la disposition d'autres personnes ou de l'afficher sur un serveur ou un site Web.

**Transfert du Produit Logiciel** - Vous pouvez transférer tous vos droits de ce CLU uniquement dans le cadre de la vente ou du transfert permanent du MATÉRIEL, à condition que Vous ne conserviez aucune copie, que Vous transfériez tout le PRODUIT LOGICIEL (tous les composants, les matériels imprimés et autres, toutes les mises à niveau et ce CLU), et à condition que le récipiendaire accepte les conditions de ce CLU. Si le PRODUIT LOGICIEL est une mise à niveau, tout transfert doit également inclure toutes les versions antérieures du PRODUIT LOGICIEL.

**Résiliation** - Sous réserve de toutes autres droits, DSC se réserve le droit de résilier ce CLU si Vous ne respectez pas les modalités de ce CLU. Dans ce cas, Vous devez détruire toutes les copies du PRODUIT LOGICIEL et toutes ses parties composantes.

**Marques de commerce** - Ce CLU ne Vous donne aucun droit relativement aux marques de commerce ou aux marques de service de DSC ou de ses fournisseurs.

### 3. DROIT D'AUTEUR

Tous les titres et droits de propriété intellectuelle associés au PRODUIT LOGICIEL (notamment mais pas exclusivement aux images, photographies et textes incorporés dans le PRODUIT LOGICIEL), les documents imprimés joints et tout exemplaire du PRODUIT LOGICIEL sont la propriété de DSC et de ses fournisseurs. Vous n'avez pas le droit de faire des copies des documents imprimés accompagnant le PRODUIT LOGICIEL. Tous les titres et droits de propriété intellectuelle associés au contenu qui peut être accédé par le biais du PRODUIT LOGICIEL sont la propriété du propriétaire respectif du contenu et peuvent être protégés par le droit d'auteur ou autrement et traités sur la propriété intellectuelle. Ce CLU ne Vous octroie pas le droit d'utiliser ces éléments. Tous les droits qui ne sont pas expressément octroyés par ce CLU sont réservés par DSC et ses fournisseurs.

**RESTRICTIONS POUR L'EXPORTATION** - Vous acceptez le fait que Vous n'exporterez pas ou ne réexporterez pas le PRODUIT LOGICIEL dans tout pays, personne ou entité soumis à des restrictions canadiennes à l'exportation.

**CHOIX DES LOIS** - Ce contrat de licence d'utilisation est régi par les lois de la Province de l'Ontario, Canada.

**ARBITRATION** - Tous les conflits survenant relativement à ce contrat seront résolus par un arbitrage défini et sans appel conformément à la Loi sur l'arbitrage, et les parties acceptent d'être liées par la décision de l'arbitre. Le lieu de l'arbitrage sera Toronto, au Canada, et le langage de l'arbitrage sera l'anglais.

### GARANTIE LIMITÉE

**PAS DE GARANTIE** - DSC FOURNIT LE LOGICIEL « EN L'ÉTAT » SANS GARANTIE. DSC NE GARANTIT PAS QUE LE LOGICIEL SATISFERA VOS EXIGENCES OU QUE L'EXPLOITATION DU LOGICIEL SERA ININTERROMPUÉ OU SANS ERREUR.

**CHANGEMENTS DU CADRE D'EXPLOITATION** - DSC ne sera pas responsable des problèmes provoqués par des changements dans les caractéristiques du MATÉRIEL, ou des problèmes d'interaction du PRODUIT LOGICIEL avec des LOGICIELS NON-DSC ou AUTRES MATÉRIELS.

**LIMITES DE RESPONSABILITÉ ; LA GARANTIE REFLÈTE L'AFFECTATION DU RISQUE** - DANS TOUTS LES CAS, SI UN STATUT QUELCONQUE SUPPOSE DES GARANTIES OU CONDITIONS QUI NE SONT PAS POSTULÉES DANS CE CONTRAT DE LICENCE, TOUTE LA RESPONSABILITÉ ASSUMÉE PAR DSC DANS LE CADRE D'UNE DISPOSITION QUELCONQUE DE CE CONTRAT SERA LIMITÉE AU MONTANT LE PLUS ÉLEVÉ QUE VOUS AVEZ PAYÉ POUR LE CONTRAT DE CE PRODUIT LOGICIEL ET CINQ DOLLARS CANADIENS (5 CAN \$), PARCE QUE CERTAINES JURIDICTIONS NE PERMETTENT PAS L'EXCLUSION OU LES RESTRICTIONS DE RESPONSABILITÉ POUR DOMMAGES INDIRECTS, CES RESTRICTIONS PEUVENT NE PAS S'APPLIQUER DANS VOTRE CAS.

**STIPULATION D'EXONÉRATION DE GARANTIES** - CETTE GARANTIE CONTIENT L'ENTIÈRE GARANTIE ET REMPLACE TOUTES LES AUTRES GARANTIES, QUELLES SOIENT EXPLICITES OU IMPLICITES (NOTAMMENT TOUTES LES GARANTIES IMPLICITES DE MARCHANDISE OU D'APTITUDE POUR UN USAGE PARTICULIER) ET DE TOUTE AUTRE OBLIGATION OU RESPONSABILITÉ DE DSC. DSC NE FAIT AUCUNE AUTRE GARANTIE. DSC N'ASSUME PAS LA RESPONSABILITÉ ET N'AUTORISE AUCUNE AUTRE PERSONNE PRÉTENDANT AGIR EN SON NOM DE MODIFIER OU DE CHANGER

CETTE GARANTIE, N'ASSUME POUR CELA AUCUNE AUTRE GARANTIE OU RESPONSABILITÉ CONCERNANT CE PRODUIT LOGICIEL.

**RECOURS EXCLUSIF ET LIMITE DE GARANTIE** - DSC NE SERA EN AUCUN CAS RESPONSABLE DES DOMMAGES PARTICULIERS, ACCIDENTELS OU INDIRECTS BASÉS SUR UNE INOBSERVATION DE LA GARANTIE, UNE RUPTURE DE CONTRAT, UNE NÉGLIGENCE, UNE RESPONSABILITÉ STRICTE OU TOUTE AUTRE THÉORIE JURIDIQUE. DE TELS DOMMAGES INCLUENT NOTAMMENT, MAIS PAS EXCLUSIVEMENT, UNE PERTE DE PROFITS, UN ENDOMMAGEMENT DU PRODUIT LOGICIEL OU DE TOUT AUTRE ÉQUIPEMENT ASSOCIÉ, UN COÛT DU CAPITAL, UN COÛT DE REMPLACEMENT OU DE SUBSTITUTION DES ÉQUIPEMENTS, DES INSTALLATIONS OU DES SERVICES, UN TEMPS D'ARRÊT, LE TEMPS DE L'ACHAT, LES RÉCLAMATIONS DE TIERS, Y COMPRIS DES CLIENTS, AINSI QUE LES DOMMAGES À L'APPROPRIÉTÉ.

DSC recommande de tester complètement l'ensemble du système régulièrement. Toutefois, malgré des tests rigoureux, il peut arriver que le fonctionnement du PRODUIT LOGICIEL ne soit pas conforme aux attentes en raison notamment, mais pas exclusivement, d'interventions criminelles ou de pannes de courant.

## Informations réglementaires

### Déclaration de modification

Digital Security Controls has not approved any changes or modifications to this device by the user. Any changes or modifications could void the user's authority to operate the equipment. *Digital Security Controls n'approuve aucune modification apportée à l'appareil par l'utilisateur, quelle qu'en soit la nature. Tout changement ou modification peuvent annuler le droit d'utilisation de l'appareil par l'utilisateur.*

### Déclaration au sujet des interférences

Cet appareil est conforme à la section 15 des directives FCC et aux normes d'exemption de licence RSS d'Industry Canada. Operation is subject to the following two conditions: (1) this device may not cause interference, and (2) this device must accept any interference, including interference that may cause undesired operation of the device.

*Le présent appareil est conforme aux CNR d'Industry Canada applicables aux appareils radio exempts de licence. L'exploitation est autorisée aux deux conditions suivantes: (1) l'appareil ne doit pas produire d'interférences, et (2) l'utilisateur de l'appareil doit accepter toute interférence radioélectrique subie, même si le brouillage est susceptible de compromettre le fonctionnement de l'appareil.*

### Remarque sur la technologie sans fil

This equipment complies with FCC and IC radiation exposure limits set forth for an uncontrolled environment. The antenna should be installed and operated with minimum distance of 20 cm between the radiator and your body. This transmitter must not be co-located or operating in conjunction with any other antenna or transmitter.

*Cet appareil est conforme aux limites d'exposition aux rayonnements de RF pour un environnement non contrôlé. L'antenne doit être installée de façon à garder une distance minimale de 20 centimètres entre la source de rayonnement et votre corps. L'émetteur ne doit pas être installé à proximité de ou fonctionner en association avec tout autre antenne ou émetteur. Le gain d'antenne doit se situer au-dessus de:*

Bande de fréquences	TL2803GRE, TL2803GE, 3G2080RE, 3G2080E	TL280LE, TL280LER, LE2080, LE2080R
GSM850/FDD V	2,26 dBi	-
PCS1900/FDD II	2,41 dBi	-
LTEB2	-	2,76 dBi
LTEB4	-	2,82 dBi
LTEB5/B12/B13	-	2,45 dBi

### Notice d'appareil numérique de classe B FCC.

Cet équipement a été testé et classé dans la catégorie d'appareils numériques de classe B, conformément à la section 15 des directives FCC. Ces limitations visent à fournir une protection raisonnable contre les interférences nuisibles dans une installation résidentielle. Cet équipement produit, utilise et peut émettre de l'énergie radioélectrique et, s'il n'est pas installé et utilisé conformément aux présentes instructions, peut causer des interférences nuisibles aux communications radio. Quoi qu'il en soit, il existe aucune garantie que des interférences ne se produiront pas dans certaines installations. Si cet équipement cause des interférences nuisibles à la réception radio ou télévisée, ce qui peut être vérifié en allumant puis en éteignant l'équipement, nous vous recommandons d'essayer de corriger les interférences en appliquant l'une ou plusieurs des mesures suivantes:

- Réorienter ou déplacer l'antenne de réception.
- Augmenter la distance séparant l'équipement du récepteur.
- Brancher l'équipement sur une prise d'un circuit différent de celui auquel le récepteur est connecté.
- Consulter le fournisseur ou un technicien de radio-télévision expérimenté.

### CAN ICES-3 (B) / NMB-3 (B)

TL2803G (R) E - EU /3G2080 (R) E- LE2080(R)/TL280LE(R)  
EU/TL280(R)E



**Remarques pour les installations conformes aux normes EN50131-**

**1:2006/A1:2009 :**

Les modules TL2803G(R)E-EU/3G2080(R)E-EU/TL280(R)E sont des émetteurs-récepteurs de locaux surveillés (SPT) de type Y. Le module est monté dans le boîtier CIE ou d'alimentation électrique, et est alimenté par la source d'alimentation électrique ou CIE compatible, conformément aux exigences de la norme EN50131-6:2008 type A pour une application de catégorie 2, classe II. Ce produit ne dispose d'aucune pièce de rechange et les options programmables de la logiciel sont accessibles au niveau 3 (mode installateur) de la section [851].

Les modules TL2803G(R)E-EU/3G2080(R)E-EU/TL280(R)E se connectent à des centrales d'alarme compatibles DSC au moyen de l'interface série DSC propriétaire et du protocole PC-Link (converti aussi sur RS-422). Le module fonctionne en mode interconnexion et confirme les alarmes vers la centrale compatible après que l'accusé réception ait été reçu depuis le récepteur d'alarme compatible.

- Les modules TL2803G(R)E-EU/3G2080(R)E-EU/TL280(R)E sont supervisés par la centrale et sont programmables via le menu de programmation ([\*]8), section [851] de la centrale. L'interface est connectée au bus PC-Link comme indiqué par le schéma inclus dans ce manuel.
- La voie sur réseau cellulaire HSPA3G est protégée des émissions RF et des champs induits à des niveaux jusqu'à 10 V/m comme établi par la norme EN50130-4.
- Les modules TL2803G(R)E-EU/3G2080(R)E-EU/TL280(R)E sont conformes à des niveaux de rayonnement pour un équipement de classe B comme établi par les normes EN61000-6-3/EN55022/CISPR22.
- Les modules TL2803G(R)E-EU/3G2080(R)E-EU/TL280(R)E utilisent la supervision des battements de cœur et le chiffrement AES128 pour les canaux de communication cellulaires HSPA3G, et ils répondent aux niveaux de sécurité S2 conformément à la norme EN50136-2:2013. Ils utilisent également une fonction d'authentification pour chaque message échangé avec l'équipement récepteur compatible sur le canal ARC, et ils répondent aux exigences du niveau I2 en ce qui concerne la sécurité des informations.
- Le module 3G2080(R)E-EU ne dispose que d'une seule voie de communication : Une voie de communication sur réseau cellulaire HSPA3G exploitant un réseau cellulaire public dans les bandes de fréquence 900/1800/2100 MHz. La voie de communication sur réseau cellulaire HSPA3G qui peut être utilisée en mode autonome avec un système d'alarme DSC (modèles de centrales d'alarme compatibles DSC : HS2128/064/032/016). La configuration ATS prise en charge est : catégorie personnalisée C.
- Le module TL280(R)E ne dispose que d'une seule voie de communication : une voie de communication Ethernet utilisant Internet. La voie de communication qui peut être utilisée en mode autonome avec un système d'alarme DSC (modèles de centrales d'alarme compatibles DSC : HS2128/064/032/016). La configuration ATS prise en charge est : catégorie personnalisée C.
- Le module TL2803G(R)E-EU dispose de deux voies de communication : une voie de communication sur réseau cellulaire HSPA3G exploitant un réseau cellulaire public dans les bandes de fréquence 900/1800/2100 MHz et une voie de communication Ethernet utilisant Internet. Les voies de communication qui peuvent être utilisées en mode autonome avec un système d'alarme DSC (modèles de centrales d'alarme compatibles DSC : HS2128/064/032/016). La configuration ATS prise en charge est : catégorie personnalisée C.
- La conformité du module TL2803G(R)E-EU/3G2080(R)E-EU/TL280(R)E a été testée avec les normes en vigueur suivantes : EN50136-1:2012, EN50136-2:2013, EN50131-10:2014, configuration ATS : C.

Pour les installations qui respectent la norme EN50131-1:2006/A1:2009, les options de programmation suivantes seront configurées comme indiqué.

Battements de cœur de supervision : ils doivent être réglés sur 180 secondes

**REMARQUE :** le récepteur compatible à l'emplacement ARC disposera d'une fenêtre de supervision programmée pour 180 s. Le module TL2803G(R)E-EU/3G2080(R)E-EU/TL280(R)E est homologué par TELEFICATION conformément aux exigences des normes EN50131-1:2006/A1:2009, EN50131-10:2014 pour la catégorie 2, classe II et EN50136-2:2013 configuration : C

Catégorie C personnalisée ATS	Niveau
EN50136-1:2012 annexe D, tableau D.1	D3
EN50136-1:2012 annexe D, tableau D.2	M3
EN50136-1:2012 annexe D, tableau D.3	T4
EN50136-1:2012 annexe D, tableau D.4	A4 (selon le réseau cellulaire exploité)
EN50136-1:2012 annexe D, tableau D.5	S2 (utilise le chiffrement AES-128 et les informations d'authentification/séquentielles dans

EN50136-1:2012 annexe D, tableau D.6	chaque message transmis au récepteur (SG)
I2 (utilise le chiffrement AES-128)	
EN50136-1:2012 tableau 1	Utilise une voie de communication unique pour les modèles 3G2080(R)E-EU (réseau cellulaire), TL280(R)E (port Ethernet) et deux voies de communication pour le modèle TL2803G(R)E-EU (réseau cellulaire/Ethernet).
EN50136-1:2012 tableau 4	Défaillance ATS reportée vers ARC
EN50136-1:2012 tableau 5	Défaillance ATS reportée vers AS (centrale d'alarme compatible DSC HS2128/HS2064/HS2032/HS2016)
EN50136-1:2012 tableau 6	Il n'y a aucun enregistrement de la non-disponibilité
EN50136-2:2013 tableau 1	Aucune fonction de connexion fournie
EN50136-2:2013 tableau 2	Aucune mémoire fournie pour la fonction de connexion
EN50136-2:2013 tableau 3	Défaillance ATS reportée vers ARC

**DÉCLARATION DE CONFORMITÉ UE SIMPLIFIÉE**

Par la présente, Tyco Safety Products Canada Ltd déclare que ce type d'équipement de radio est conforme à la directive 2014/53/UE. Le texte complet des déclarations de conformité UE pour les modèles mentionnés ci-dessous est disponible aux adresses Internet suivantes :  
 TL2803G(R)E-EU - <http://dsc.com/pdf/1605003>  
 3G2080(R)E-EU - <http://dsc.com/pdf/1605004>

Bande de fréquences	Puissance maximale
EGSM900 890,0 MHz - 914,8 MHz	Classe 4 (2 W) à 900 MHz, GSM
EGSM900 880,2 MHz - 889,8 MHz	Classe 1 (1 W) à 1 800 MHz, GSM
DCS1800 1710,2 MHz - 1784,8 MHz	Classe E2 (0,5 W) à 900 MHz, EDGE
W-CDMA (Bande VIII) 882,4 MHz - 912,6 MHz	Classe E2 (0,4 W) à 1 800 MHz, EDGE
W-CDMA2100 (Bande I) 1922,4 MHz - 1977,6 MHz	Classe 3 (0,25 W) à 900/2 100 MHz, W-CDMA

Seuls les modèles TL2803GRE-EU, TL2803GE-EU, 3G2080RE-EU et 3G2080E-EU sont conformes aux exigences CE.

Un seul point de contact en Europe : Tyco Safety Products, Voltweg 20, 6101 XK Echt, Pays-Bas

**Conditions d'installation UL/C**

**REMARQUE :** pour les équipements utilisés dans des locaux protégés et destinés à faciliter les communications IP (hubs, routeurs, NID, modems câblés ou DSL), une alimentation de secours de 24 heures est obligatoire. Quand ce n'est pas possible, un canal de communication secondaire (de secours) est obligatoire.

Ⓢ La programmation DNS (Domain Name Service) n'est pas autorisée dans les systèmes homologués UL1610.

**Caractéristiques techniques**

La tension d'entrée du communicateur peut être fournie par un Centrale homologuée par les organismes Underwriters Laboratories/Underwriters Laboratories Canada (UL/ULC).

**Remarques pour l'utilisation de réseaux privés, d'entreprise et à haut débit :**

Des stratégies d'accès au réseau et aux domaines doivent être mises en place pour interdire l'accès non autorisé au réseau, ainsi que les attaques d'usurpation d'identité ou de déni de service. Sélectionnez un fournisseur d'accès Internet qui propose la redondance de ses serveurs/systèmes, des alimentations de secours, des routeurs avec pare-feu actifs et des méthodes d'identification et de protection contre les attaques de déni de service (par exemple, par usurpation).

**Remarques pour l'utilisation de réseaux de données publics commutés et cellulaires :**

Les canaux de communication doivent être mis en place de façon à ce que le communicateur limite tout accès non autorisé, qui risquerait autrement de mettre la sécurité en péril. Le communicateur doit être placé dans une zone sécurisée.

\*Pour les applications résidentielles ULC anti-incendie et anti-cambriolage, le module TL2803G(R)E/3G2080(R)E/TL280(R)E/LE2080(R)E/TL280E(R) peut servir de canal primaire de communication via 3G/GSM ou Ethernet (selon les cas), ou comme canal de secours en association avec le DACT (Digital Alarm communicator Transmitter). Une transmission de test toutes les 24 heures doit être activée sur chaque canal.

\*Pour les applications ULC commerciales anti-incendie et anti-cambriolage, le module TL2803G(R)E/3G2080(R)E/TL280(R)E/LE2080(R)E/TL280E(R) peut être utilisé comme module de communication passif avec les niveaux de sécurité suivants :

- P1 (chaque canal 3G/GSM ou Ethernet est indépendant)
- P2 (3G/GSM et Ethernet en configuration de secours, section [851][005] de la centrale, option de bascule [5] à l'état Éteint).
- P3 (3G/GSM et Ethernet en configuration redondante, section [851][005] de la centrale, option de bascule [5] à l'état Allumé).

Le communicateur peut également être utilisé comme système de communication actif avec les niveaux de sécurité A1-A4 (chaque canal 3G/GSM ou Ethernet indépendant ou ensemble en configuration de secours/redondante). Pour les systèmes de sécurité de ligne actifs, le cryptage AES128 bits doit être activé sur le récepteur de la centrale de télésurveillance, et l'intervalle de battement de cœur de supervision doit être réglé sur 90 secondes (section [851][004] de la centrale = 005A/90). La fenêtre de supervision sur le récepteur SRC de signaux doit être programmée à un maximum de 180 (00B4/180) secondes.

**REMARQUE:** la fonction de chiffrement doit être activée pour les communications passives d'applications UL C anti-incendie.

• Pour les applications **résidentielles UL anti-incendie et anti-cambriolage**, le module **TL2803G(R)/E/3G2080R/TL280(R)/E/LE2080(R)/TL280LE(R)** peut servir de canal de communication principal via 3G/GSM ou Ethernet (selon les cas), ou comme canal de secours en association avec le DACT (une transmission de test toutes les 30 jours est requise sur chaque canal).

• Pour les applications **commerciales UL anti-cambriolage**, le module **TL2803G(R)/E/3G2080R/TL280(R)/E/LE2080(R)/TL280LE(R)** peut être utilisé comme système de communication de ligne de signalisation double (canaux GSM et Ethernet utilisés en configuration redondante), avec sécurité de ligne standard et sécurité de ligne cryptée.

• Les battements de cœur de supervision doivent être activés (section [851][005] de la centrale, option de bascule [1] (Ethernet) et/ou option de bascule [2] (3G/GSM) doit être à l'état Allumé), l'option de bascule [3] (type de supervision) doit être à l'état Allumé et le taux de battements de cœur de supervision doit être configuré sur 135 (0087/135) secondes. Option [004] = 0087. La fenêtre de supervision sur la centrale de supervision doit être programmée à un maximum de 200 (00C8/200) secondes. Pour les systèmes de sécurité en ligne cryptés, le cryptage AES128 doit être activé sur le récepteur du central de télésurveillance.

• Pour les installations **UL commerciales anti-cambriolage**, le module **TL2803G(R)/E/3G2080(R)/E/TL280(R)/E/LE2080(R)/TL280LE(R)** est homologué en tant que moyen de communication principal (unique) (le battement de cœur doit être activé) ou pour l'utilisation complémentaire (de secours) en association avec une ligne téléphonique analogique commutée (POTS). Quand la transmission de battements de cœur sur le réseau Ethernet ou 3G/GPRS est activée, l'utilisation du module **TL2803G(R)/E/3G2080(R)/E/TL280(R)/E** avec une unité de commande compatible homologuée pour une sécurité de ligne standard/cryptée peut assurer la sécurité de la ligne pour le système d'alarme sur la ligne principale.

• Le module **TL2803G(R)/E/3G2080(R)/E/TL280(R)/E/LE2080(R)/TL280LE(R)** convient aussi pour une utilisation avec une unité de contrôle compatible prévue pour l'émission de sécurité sur ligne double en association avec un transmetteur DACT ou un transmetteur PSDN (Public Switched Data Network), où le PSDN assure la sécurité de la ligne et est la ligne principale. Dans ce mode, les signaux d'alarme doivent être envoyés simultanément sur les deux méthodes de communication.



Référentiel de certification NF324/H58.

ORGANISMES CERTIFICATEURS:



CNPP Cert  
Route de la Chapelle Réanville CS 22265  
F-27950 Saint-Marcel  
www.cnpp.com Tel.: +33(0)2.32.53.63.63

AFNOR Certification  
11, rue Francis de Pressensé  
F-93571 LA PLAINE Saint Denis Cedex  
www.marque-nf.com Tel: + 33 (0)1.41.62.80.00

Seulement pour les modèles: TL2803GE-EU, 3G2080E0-EU, TL280E

N° de certification : 1220800003

Les communicateurs TL2803GE-EU, 3G2080E0-EU, TL280E de grade 2 et de classe d'environnement II sont conformes aux normes: NF EN 50131-3, RTC 50131-3, NF EN 50136-2, NF EN 50131-10 et aux fiches d'interprétations associées.

Les options de notification pouvant être satisfaites sont: C et E et les critères de performance des ATS sont: DP1 (Modèle: Line téléphonique + TL2803GE-EU, 3G2080E-EU ou TL280E).

Les Modèles TL2803GE-EU, 3G2080E-EU, TL280E supportent le mode de fonctionnement en forçage de transmission.

**Remarque:** pour les systèmes certifiés NFA2P utiliser uniquement une longueur de câble Ethernet de 3m.

©2018 Produits de sécurité Tyco Tous droits réservés.

Support technique : 1-800-387-3630 (Canada et États-Unis) ou 905-760-3000

[www.dsc.com](http://www.dsc.com)

Les marques déposées, les logos et les marques de service présents dans ce document sont enregistrés aux États-Unis [ou dans d'autres pays]. Toute utilisation frauduleuse des marques déposées est strictement interdite et Tyco renforcera de manière agressive ses droits de propriété intellectuelle aussi loin que la loi applicable l'autorise, y compris les cas de poursuite criminelle, le cas échéant. Toutes les marques déposées, qui ne sont pas de la propriété de Tyco, sont de la propriété exclusive de leurs propriétaires respectifs et sont utilisées avec leur permission ou autorisées en vertu des lois en vigueur.

Les offres de produits et les caractéristiques sont sujettes à modification sans préavis. Les produits réels peuvent différer des photographies présentées. Toutes les fonctions ne sont pas disponibles sur tous les produits. La disponibilité des produits varie en fonction des régions; contactez votre représentant local.

**DSC**

From Tyco Security Products



29009557R003