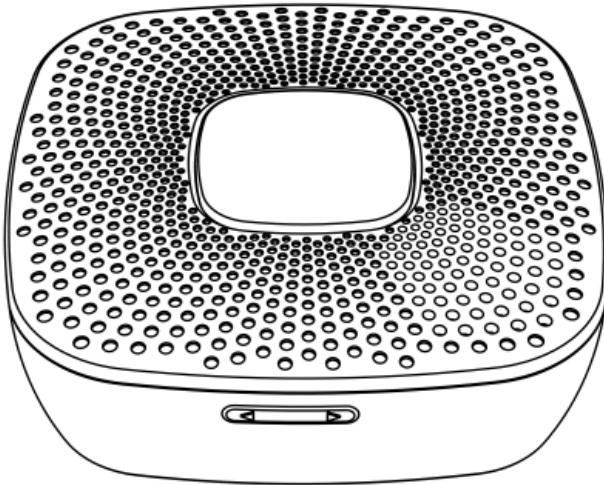


Garage Door Controller Gen5 user guide.

Modified on: Fri, 7 Jul, 2017 at 3:08 PM

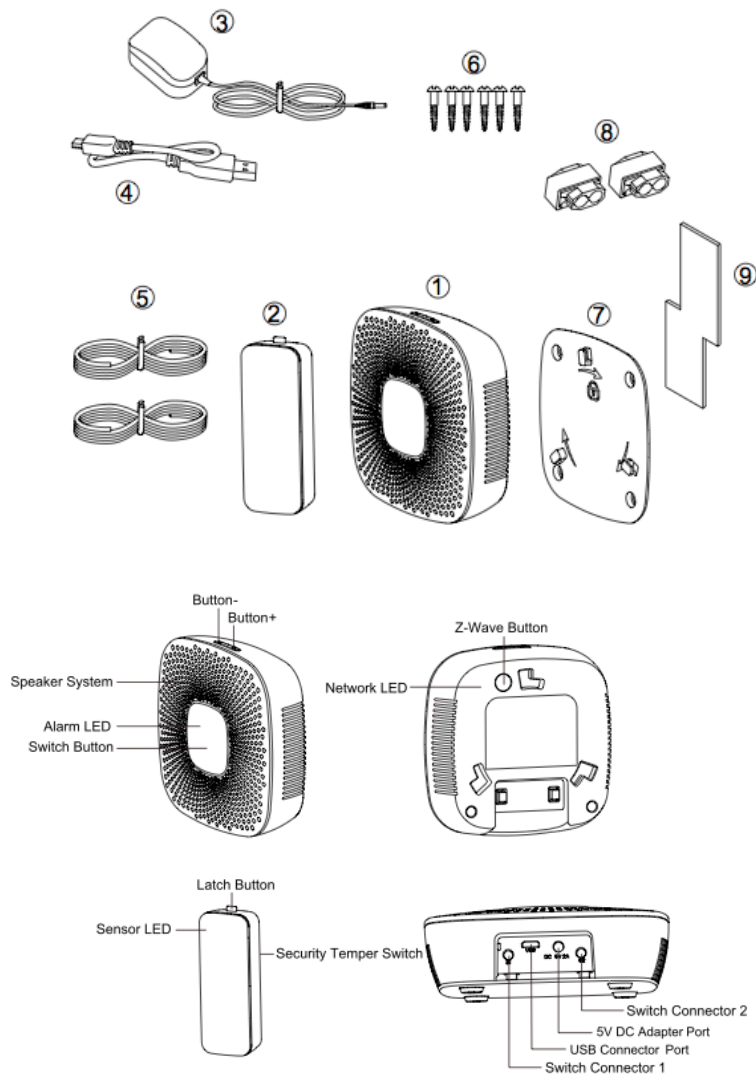
Aeotec by Aeon Labs Garage Door Controller.



Aeotec Garage Door Controller has been crafted to power connected lighting using **Z-Wave Plus** (<http://aeotec.com/z-wave-plus>). It is powered by Aeotec's **Gen5** (<http://aeotec.com/z-wave-gen5>) technology. You can find out more about **Garage Door Controller** (<http://aeotec.com/z-wave-garage-door-controller>) by following that link.

To see whether Garage Door Controller is known to be compatible with your Z-Wave system or not, please reference our **Z-Wave gateway comparison** (<http://aeotec.com/z-wave-gateways>) listing. The **technical specifications of Garage Door Controller** (<https://aeotec.freshdesk.com/solution/articles/6000168304-garage-door-controller-technical-specifications->) can be viewed at that link.

Get to Know Your Garage Door Controller.



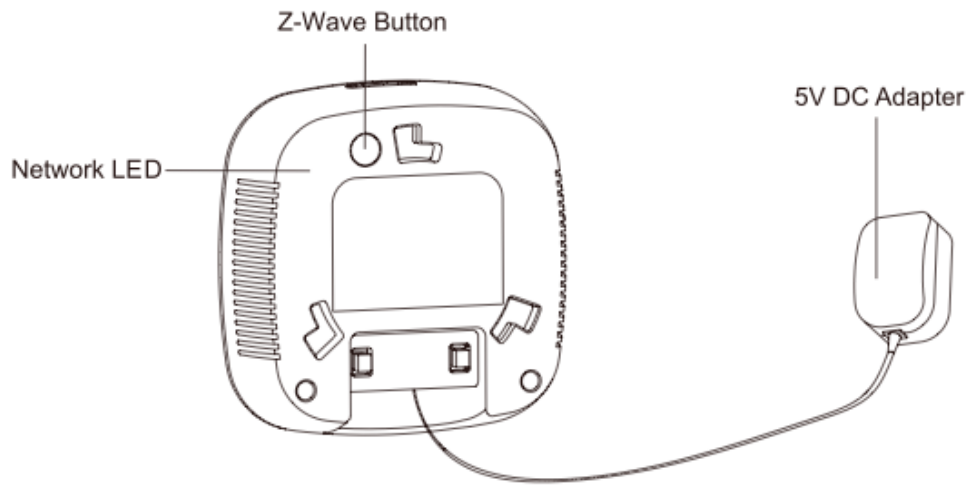
Package contents:

1. Garage Door Controller.
2. Sensor.
3. 5V DC Adapter.
4. USB Cable.
5. Switch Cable (×2).
6. Screw (×6).
7. Back Mount Plate.
8. Fast Wiring Clip (×2).
9. Double-Sided tape.

Quick start.

1. Power on your Garage Door Controller.

Power your Garage Door Controller by connecting the 5V DC Adapter to the input.



Now that your Garage Door Controller is powered on, you will see the Network LED blinking slowly. While the Network LED is blinking, this indicates that the Garage Door Controller is ready to be included into a Z-Wave network.

2. Add/include/link your Garage Door Controller to a Z-Wave network.

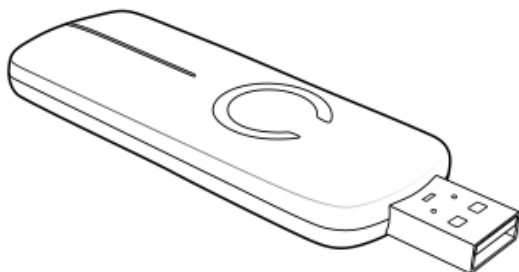
The following instructions will tell you how to link your Garage Door Controller to your Z-Wave network via an Aeotec by Aeon Labs' Z-Stick or Minimote controller. If you are using another Z-Wave controller as your main controller, please refer to their respective manual on how add new devices to your network.

If you're using an existing gateway (ie. Vera, Smartthings, ISY994i ZW, Fibaro, etc):

You may need to refer to your gateway's method of including devices if you do not know how to pair a Z-Wave device.

1. Put your primary Z-Wave gateway into pair mode, your Z-Wave gateway should confirm that it is waiting to add a new device
2. Press the Z-Wave Button on the Garage Door Controller. The LED on Garage Door Controller will blink rapidly, followed by a solid LED for 1-2 second for a successful inclusion.

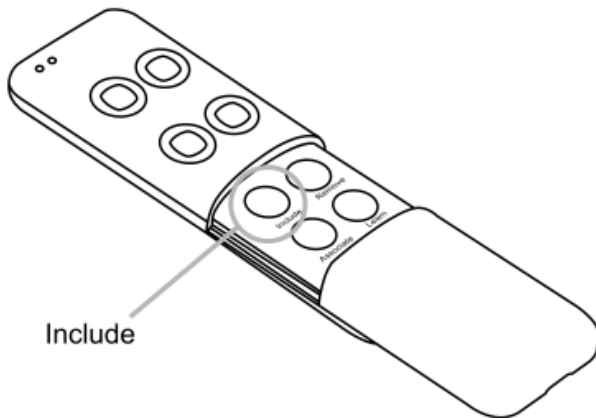
If you're using a Z-Stick:



1. Connect 5V DC Adapter to the Garage Door Controller. Its Network LED will begin to blink.

2. If your Z-Stick is plugged into a gateway or a computer, unplug it.
3. Take your Z-Stick to your Garage Door Controller.
4. Press the Action Button on your Z-Stick.
5. Press the Z-Wave Button on Garage Door Controller.
6. If Garage Door Controller has been successfully linked to your Z-Wave network, its Network LED will no longer blink.
7. If the linking was unsuccessful and the Network LED continues to blink, repeat the steps above.
8. Press the Action Button on the Z-Stick to take it out of inclusion mode.

If you're using a Minimote:



1. Connect 5V DC Adapter to the Garage Door Controller. Its Network LED will begin to blink.
2. Take your Minimote to your Garage Door Controller.
3. Press the Include button on your Minimote.
4. Press the Z-wave Button on your Garage Door Controller.
5. If Garage Door Controller has been successfully linked to your Z-Wave network, its Network LED will no longer blink. If the linking was unsuccessful and the Network LED continues to blink, repeat the steps above.

With your Garage Door Controller now working as a part of your smart home, you'll be able to configure it from your home control software or phone application. Please refer to your software's user guide for precise instructions on configuring Garage Door Controller to your needs.

Alarm Testing (after pairing to your network)

The speaker system is 105dB, you can test its sounds and volume settings via long pressing the "Button-" or "Button+" to initiate sound testing, where pressing and holding "Button+" will switch to the next sound and pressing and holding "Button-" will switch to the previous sound. While the sound is playing in a loop, you can tap "Button-" to decrease the sound while "Button+" will increase the volume. This will help you gauge an idea on how you'd like to configure your settings for Opening/Closing/Unknown/Closed position alarms.

Physically Install your Garage Door Controller.

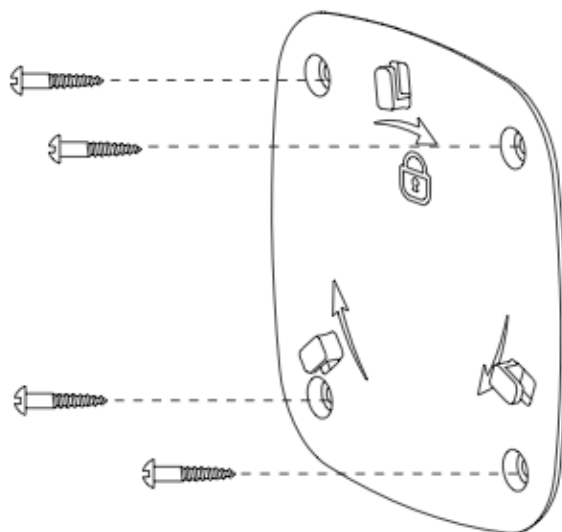
WARNING — TO REDUCE THE RISK OF SEVERE INJURY OR DEATH:

LOCATE CONTROL BUTTON

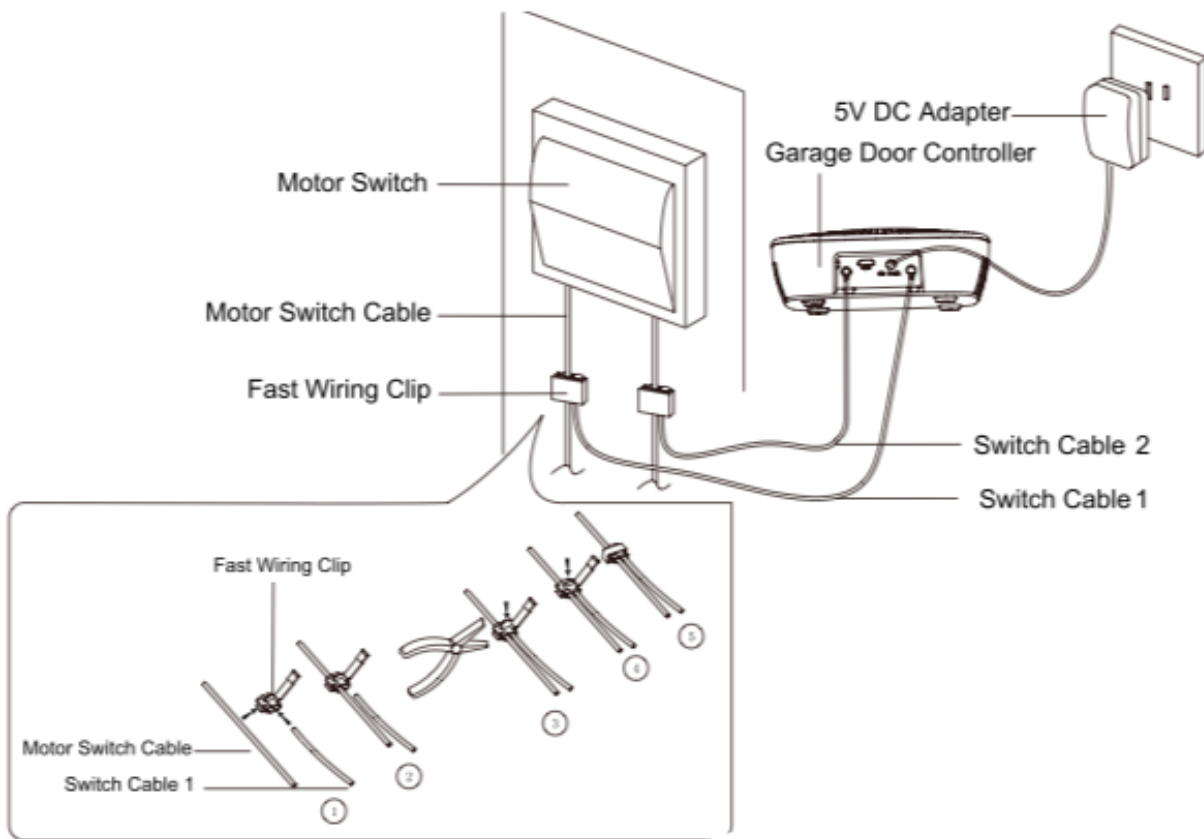
- a) WITHIN SIGHT OF DOOR;
- b) AT A MINIMUM HEIGHT OF 1.53 M (5 FT) SO SMALL CHILDREN CANNOT REACH IT; AND
- c) AWAY FROM ALL MOVING PARTS OF THE DOOR.

Garage Door Controller must be installed in your home and near the garage door. It cannot be installed outdoors in elements such as rain and snow.

1. Utilize the provided 20mm screws to affix it to the desired surface.

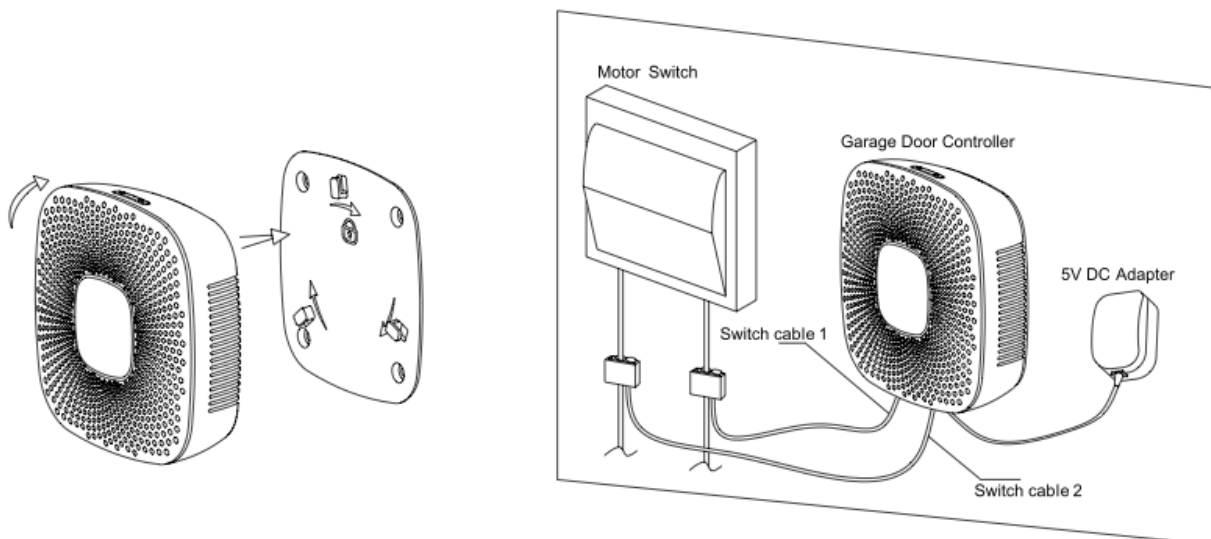


2. Connect the 2 Switch cables to the Switch Connector 1 and 2 on the Garage Door Controller, and then use the Fast Wiring Clip to connect the 2 Switch Cables to the Motor Switch Cables, see the figure below:



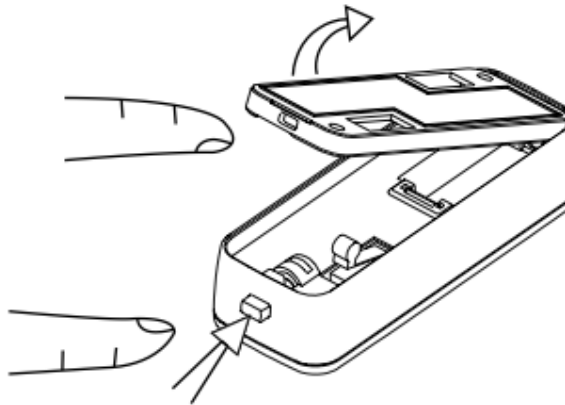
Note: The Fast Wiring Clip need to be used with pliers. When the Switch Cable and the Motor Switch Cable have been connected by Fast Wiring Clip, you will need to use the pliers to clamp the Fast Wiring Clip, see the figure above.

3. Now lock Garage Door Controller to the Back Mount Plate by twisting Garage Door Controller.



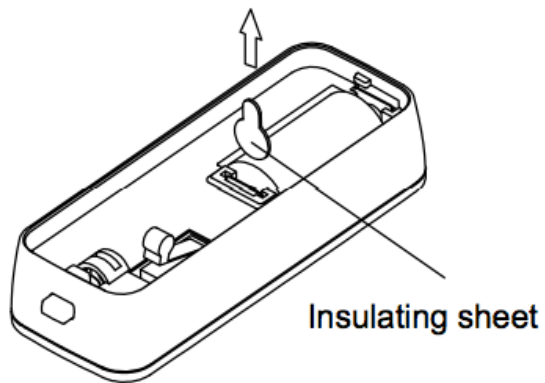
Installing the Sensor on your Garage Door.

1. Press and hold the Latch Button to unlock the sensor mounting plate:



Press and hold the Latch Button

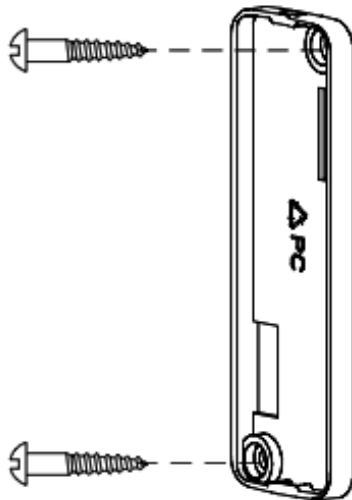
2. Pull out the insulating sheet, then you will see the Sensor LED blink once to indicate it has been powered on.



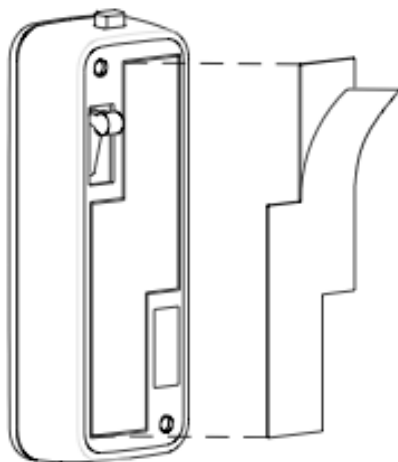
3. Affix your sensor mounting plate to the garage door.

The sensor mount plate should be installed on the top of the garage door (on the left, middle, or right side). Now affix your sensor mounting plate to the surface. Your mounting plate can be affixed using screws or double-sided tape.

If you are using screws, attach the mounting plate to the respective surface using the two 20mm screws provided.

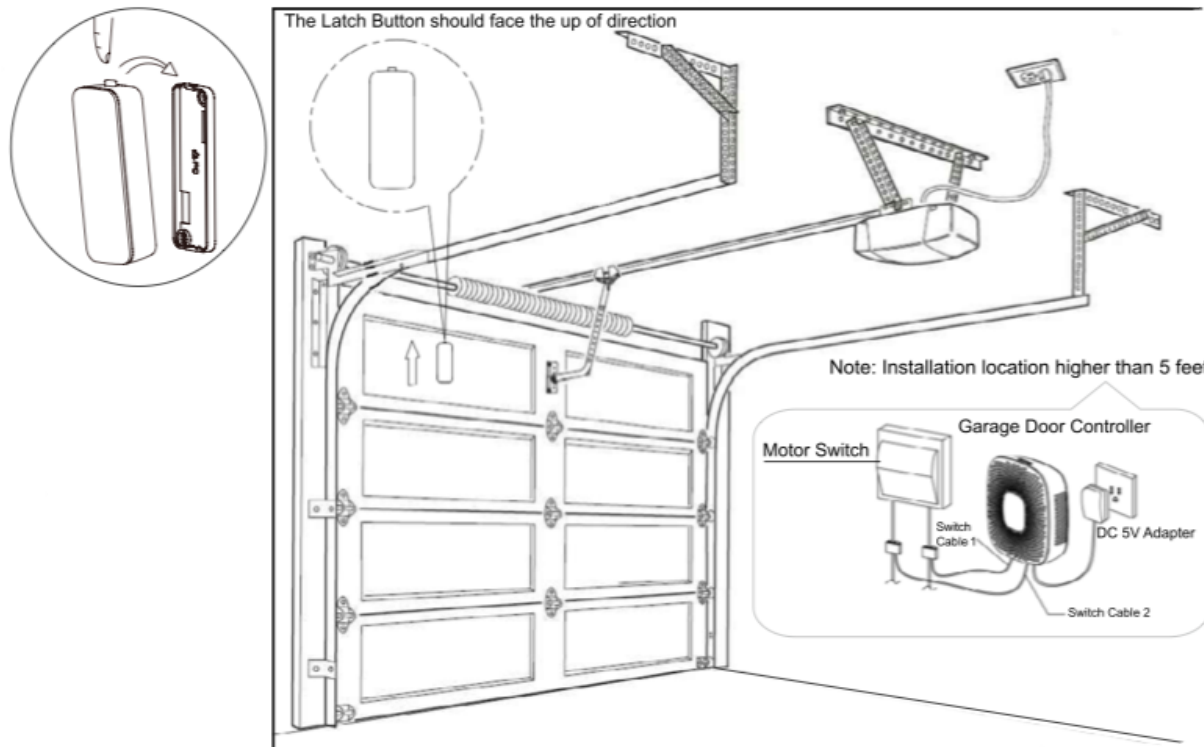


If you are using double-sided tape, wipe the two surfaces clean of any oil or dust with a damp towel. When the surface has completely dried, peel one side of the tape back and attach it to the corresponding section on the rear side of the mounting plate.



You can choose each of way from these 2 installations above. Just need to note if the environment temperature of the garage door is less than -5 C, we suggest to choose the first way (using screws to affix the mounting plate) that would be more stable.

4. Lock your Sensor on the mounting plate.



Press and hold the Latch Button, and then push the Sensor into the mounting plate.

Test Garage Door Controller.

After completing all installation steps, you may need to test your Garage Door Controller to see if it has been successfully installed. You can implement this via short pressing the Switch Button on the Garage Door Controller. When you press the Switch Button, you will see the alarm LED blink and ring the alarm sound. After about 5 seconds, the garage door will move to a full open or closed position. If you press the Switch Button again, the garage door will immediately stop moving. If not, please check or repeat the steps above.

Pair Tilt Sensor to your Garage Door Controller.

By default, the Tilt Sensor should already be paired to your Garage Door Controller, if you find that they are not paired together and the tilt sensor position is not changing the status of your Garage Door Controller over your interface, please follow the steps below.

1. Press and hold the main GDC button (located on the front of the unit) for 5 seconds then release.
2. Make sure that it entered sensor pairing mode, look at the back of the GDC and refer to the LED, it should be blinking slowly at a rate of once per second.
3. Tap the Tilt Sensor tamper switch once.
4. The LED on the main GDC unit should stop blinking which should indicate that the pair was successful.

Calibration Steps via Parameter 34.

If you have confirmed the installation is successful, you need to calibrate the Sensor once. For detailed calibration steps, please refer to the "Configuration Parameter 34" as below: Parameter 34[1 byte dec] can be configured through your gateway or controller.

1. Let the garage door move to full close position via sending control commands or pressing manual Switch.
2. Send this parameter (34) with "value=1" to Garage Door Controller through your gateway/controller.
3. Let the garage door move to full open position via sending control commands or pressing manual Switch.
4. Let the garage door move to full close position via sending control commands or pressing manual Switch after the step 3 has completed.

Calibrating the Garage Door Controller Manually.

You can also calibrate the Garage Door Controller manually using these steps, you do not have to use configuration settings to put the garage door, and may be more preferable and easier to do so manually.

1. Ensure that the garage door is closed, and the tilt sensor is in an CLOSED position, while the GDC shows a CLOSED status on your gateway interface.
2. Using the main button located at the very front of the unit (Switch Button), press and hold its button down for 10 seconds, then let go. If successful, the network LED on the back will be blinking rapidly to indicate that it is in calibration mode.
3. Open the garage door using the Switch Button of the GDC, or through Z-Wave commands. Let it open all the way.
4. Now close the garage door using the Switch Button on the GDC, or through Z-Wave commands. Let it close all the way.
5. Calibration is now complete.

Advanced Instructions.

IMPORTANT SAFETY INSTRUCTIONS.

WARNING — TO REDUCE THE RISK OF SEVERE INJURY OR DEATH:

1. READ AND FOLLOW ALL INSTRUCTIONS.
2. NEVER LET CHILDREN OPERATE OR PLAY WITH DOOR CONTROLS. KEEP REMOTE CONTROL AWAY FROM CHILDREN.
3. ALWAYS KEEP MOVING DOOR IN SIGHT AND AWAY FROM PEOPLE AND OBJECTS UNTIL IT IS COMPLETELY CLOSED. NO ONE SHOULD CROSS THE PATH OF THE MOVING DOOR.
4. SAVE THESE INSTRUCTIONS.

Removing Your Garage Door Controller from a Z-Wave network.

The following instructions will tell you how to remove your Garage Door Controller from your Z-Wave network via an Aeotec by Aeon Labs' Z-Stick or Minimote controller. If you are using another Z-Wave controller as your main controller, please refer to their respective manual on how remove devices from your network.

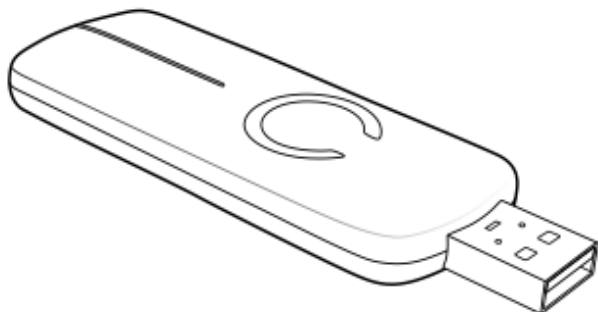
If you're using an existing gateway (ie. Vera, Smarththings, ISY994i ZW, Fibaro, etc):

You may need to refer to your gateway's method of excluding or unpairing devices if you do not know how to unpair a Z-Wave device.

1. Put your primary Z-Wave gateway into unpair or exclusion mode, your Z-Wave gateway should confirm that it is waiting to add a new device

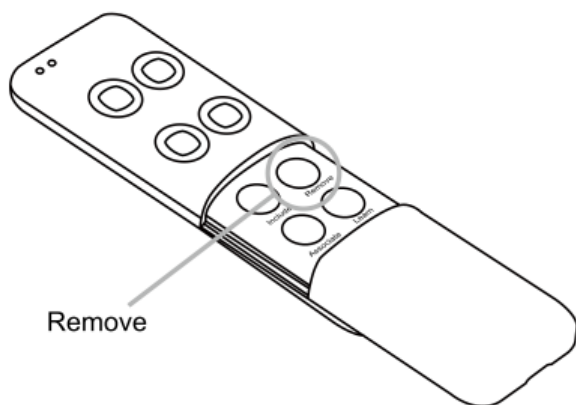
2. Press the Z-Wave Button on the Garage Door Controller. The LED on Garage Door Controller will blink rapidly, followed by a solid LED for 1-2 second for a successful exclusion.
3. The Network LED on the Garage Door Controller should now be blinking slowly to indicate it is ready to be paired to a new network.

If you're using a Z-Stick:



1. If your Z-Stick is plugged into a gateway or a computer, unplug it.
2. Take your Z-Stick to your Garage Door Controller.
3. Press the Action Button on your Z-Stick.
4. Press the Z-Wave Button on your Garage Door Controller.
5. If your Garage Door Controller has been successfully removed from your network, its Network LED will blink. If the removal was unsuccessful, the Network LED will not blink.
6. Press the Action Button on the Z-Stick to take it out of removal mode.

If you're using a Minimote:



1. Take your Minimote to your Garage Door Controller.
2. Press the Remove Button on your Minimote.
3. Press the Z-Wave Button on your Garage Door Controller.
4. If your Garage Door Controller has been successfully removed from your network, its Network LED will blink. If the removal was unsuccessful, the Network LED will not blink.
5. Press any button on your Minimote to take it out of removal mode.

Reset your Garage Door Controller.

If your primary controller is missing or inoperable, you may wish to reset your Garage Door Controller to its default factory settings. To do this:

- Press and hold the Z-Wave Button for 20 seconds and then release it.

Your Garage Door Controller will now be reset to its original settings, and the Network LED will be solid for 2 seconds and then start slow blinking to confirm a success.

Download new ringtones to your Garage Door Controller from PC host.

1. Use the Micro USB cable to connect Garage Door Controller to your PC host. PC host will detect the removable storage after a few seconds and then you will find it in the section of "Device with Removable Storage".
2. Double click the "Removable Disk (G:)" to open it.
3. Now you can copy/drag the new alarm sounds from the PC hard disk to the Garage Door Controller's flash memory.
4. Wait a few minutes to complete the copying.

Note: Please do not disconnect the USB port until the copying has completed.

Configure your Garage Door Controller alarm sounds.

You may configure your Garage Door Controller to have different sounds for Opening alarm, Closing Alarm, Unknown Open Alarm, and Unknown Closing Alarm. To do so, refer to this link:

<https://aeotec.freshdesk.com/solution/articles/6000142866-configure-garage-door-controller-alarm-sounds->
[\(https://aeotec.freshdesk.com/solution/articles/6000142866-configure-garage-door-controller-alarm-sounds-\)](https://aeotec.freshdesk.com/solution/articles/6000142866-configure-garage-door-controller-alarm-sounds-)

Disable your Garage Door Controller alarm.

You can completely disable all your Garage Door Controller alarms if you do not want to have any sounds or strobing lights. To do you, please follow thjs link here:

<https://aeotec.freshdesk.com/solution/articles/6000131922-disable-alarm-sound-in-the-garage-door-controller>
[\(https://aeotec.freshdesk.com/solution/articles/6000131922-disable-alarm-sound-in-the-garage-door-controller\)](https://aeotec.freshdesk.com/solution/articles/6000131922-disable-alarm-sound-in-the-garage-door-controller)

Other Configurations.

You may want to take full control over your Garage Door Controllers settings, you will be able to find them in the below link for all supported command classes, and possible parameter configuration settings.

1. **Garage Door Controller.** (<https://aeotec.freshdesk.com/helpdesk/attachments/6009584687>)