

MIGHTY WHEELZ



12-V Rechargeable Vehicle

Operator's Manual with assembly instructions
Please read this manual before assembly and save it with your sales receipt.

ADULT ASSEMBLY REQUIRED

Tools needed: Phillips screwdriver, hammer, block of wood and safety glasses (not included)

Ages: 3 years and up

130 lbs. (59 kg) maximum weight



WARNING

To reduce the risk of injury, adult supervision is required. Never use in roadways, near cars, on or near steep inclines or steps, swimming pools or other bodies of water. Always wear shoes, and never allow more than two riders.

Questions about assembly or operating your new vehicle?



DO NOT RETURN TO STORE

This product cannot be returned for a refund
after it has been unpacked and used.

Call our toll-free **1-877-743-3899**
or fax us **1-909-869-5945** or
email us **customerservice@funcreation.net**
or visit us **www.funcreation.net**
for assistance and information
from our trained technical staff.

Table of Contents

Important Information.....	01
Warnings & Cautions.....	02
Safe Driving Rules.....	02
Battery Charging.....	03
Battery Care and Disposal.....	03
Parts.....	04
Assembly.....	04-11
Vehicle Function & Operation.....	12
Troubleshooting.....	13-14
Limited Warranty.....	15

IMPORTANT INFORMATION

- **ADULT ASSEMBLY REQUIRED.**
- The battery must be charged for 18 hours prior to using the vehicle for the first time. To start charging your battery before beginning assembly, see Battery Charging information.
- Read this manual completely for safety and operating information before using the vehicle. Keep these instructions for future reference.
- Instruct children on operation and safe driving rules before they take their first drive:
 - only two riders at a time
 - always wear shoes when driving the vehicle
 - sit properly in the car when driving
 - do not place hands, feet or any part of the body, clothing or other articles near moving parts while the vehicle is in operation
 - do not allow other children near the car when driving
- Instruct children to bring the vehicle to a full stop before switching between forward and reverse. Do not overload the vehicle or exceed the maximum weight capacity of 130 lbs. (59 kg).
- To get a replacement battery, please visit Authorized Service Center or your local retailer.
- If you need to have questions answered or to locate a service center, please call 1-877-743-3899.
- This vehicle has adjustable play seat belts. They are intended to be a play feature only and are not intended to be used as protective safety restraints.

WARNING To Prevent Serious Injuries and Death

RIDE IN SAFE AREAS: Ride-on toys should not be used near swimming pools or other bodies of water to prevent drownings, on or near steps, hills, roadways, inclines to prevent tipping, or near moving vehicles.

- Maximum weight limit 130 lbs. (59 kg). Limit 2 riders at a time.
- This product is intended for use by children 3 years of age and up, and is not intended for children under 3 years due to lack of ability to operate safely.
- Batteries can fall out and injure a child if the vehicle tips over. Always use the battery clamp.
- This package contains small parts. Keep away from children until assembled.
- Read manual for detailed safety information prior to use.
- Inspect product at regular intervals for wear or loose hardware and tighten as required. Remove from service if any abnormal conditions such as cracks or breaks exist. Check all coverings regularly to be certain they are in place. Check plastic parts regularly.
- Failure to perform periodic checks could cause this product to overturn or cause a fall.
- When temperatures fall below 0° F (-18° C), outdoor use of this product is not recommended. In extreme cold, plastic materials lose resilience and may become brittle and crack upon impact. Store in a warmer, protected place.
- Do not operate the vehicle outdoors if it is raining. Keep it in a dry area when not in use.
- Disconnect the battery power supply when the car is not in use to prevent children from driving the car without adult supervision.
- Always make sure the seat is securely attached.
- Product must only be used with the recommended charger. The charger and battery are not toys. They must be regularly examined for damage to the cord, plug, enclosure and other parts. In the event of such damage, the damaged or worn part must not be used until replaced.
- Battery compartment is not a storage area. Storing other articles may create a fire hazard. Do not store articles in or near battery compartments.
- Hot motors. Use caution.

PREVENT FIRE:

- Never modify the electrical system. Alterations could cause fire. Do not bypass fuses.
- Use of the wrong type battery or charger could cause a fire or explosion.

WARNING Battery Cautions

- Only use the battery and charger specified by an Authorized Service Center.
- Charging of the battery **MUST** be done by an adult
- Remove battery from product before extended storage or charging.
- Supply terminals are not to be short circuited.
- All batteries contain corrosive acids and produce explosive gases during recharging. Shield eyes – gas explosion or battery acid can cause blindness, burns or injury.
- If a battery leak develops, avoid contact with the leaking battery acid and place damaged battery in a sealed plastic bag. See proper disposal information.
- If acid comes in **contact with skin or eyes**, flush with cool water for at least 15 minutes and call a physician.
- If acid is **internally ingested**, give water, milk or egg whites immediately. Do not induce vomiting. Call a physician immediately.
- Examine the battery, charger and connectors for excessive wear or damage each time the battery is charged. If damage is found, do not use the charger or the battery until you have replaced the worn or damaged part.

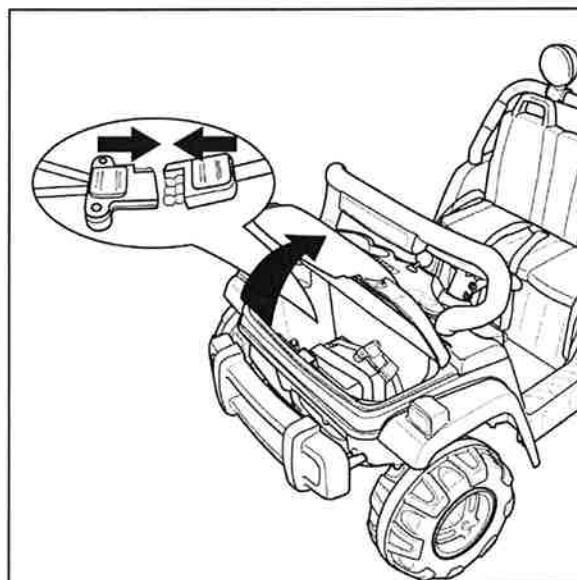
WARNING Safe Driving Rules

- **ADULT SUPERVISION REQUIRED.**
- Restrict children to safe riding areas:
 - away from swimming pools and other bodies of water to prevent drownings
 - level ground to prevent tipovers
 - away from steps, hills, driveways, roads and alleys
- Teach safety first
Although most children can master the physical skills necessary to operate this vehicle, they do not have mature judgement skills. Never let a child drive at any time without adult supervision, and take the time to carefully evaluate each child's skill levels and abilities to operate the vehicle safely. Children cannot always anticipate or recognize hazards, even after instruction. So teach appropriate safety rules before allowing any child to operate the vehicle, and remember that **THERE IS NO SAFE SUBSTITUTE FOR DIRECT ADULT SUPERVISION.**
- Safe riding rules
 - Always sit on the seat.
 - Always wear shoes.
 - Only two riders at a time.
 - Do not operate in the street or near moving vehicles.
 - Do not operate near bodies of water, obstructions or drop-offs.
 - Do not operate on sand, loose dirt or gravel.
 - Do not operate in the dark. Unexpected obstacles could cause an accident.
 - Do not operate on inclines. Use on generally level ground **ONLY!**
 - Do not operate on steep slopes. The vehicle may accelerate or roll backwards at unsafe speeds even if the pedal is released.
 - Do not operate near flammable vapors (such as gasoline, paint thinner, acetone, liquid wax, etc.). Electrical components can emit an internal spark when first turned on or off. Using the vehicle near flammable liquids or vapors could cause an explosion or fire.
 - Do not place anything near moving parts such as motors, gears or wheels. Rotating parts can snag hair, fingers, etc. causing serious injury.

VEHICLE 12-Volt Battery

Charging

- Battery and charger are not toys. Charging of the battery **MUST** be done by an adult
- Make sure the battery is positioned upright before charging, and be very careful to avoid any direct contact on both terminals at the same time.
- To disconnect the battery, squeeze the tabs of the connector and pull. Hold the connectors firmly, do not pull the wires.
- Connect the battery charging line with the charger, then plug the charger into the wall outlet.
- Plug charger into a standard 120V wall outlet.
Use only the NPL charger supplied. The charger has the rating: Input 120V AC, 60 Hz, 19W; Output 12V DC @ 1 Amp
- Recharge the battery after each use of the vehicle. A fully discharged battery will take approximately 18 hours to charge.
Never charge longer than 24 hours. Charging longer than 24 hours could damage the battery
- **Do not charge or store battery upside down.** Charging produces explosive gases. Charge away from flames, sparks and lit cigarettes. Charge in a well ventilated area.
- Disconnect the battery from the charger and then the charger from the wall outlet. Reconnect the battery connector and the motor harness connector. Lock the battery clamp. If the car will not be used for a long period of time, be sure to recharge the battery every month.
- Never lift or carry the battery by the wires or connector. This can cause damage. Lift and carry the battery by the case only. Battery compartment is not a storage area. Storing other articles may create a fire hazard.



Care

- Don't allow the battery to run down completely before charging.
- Charge the battery before storing the vehicle. Charge battery at least once a month, even if the vehicle has not been used.
- Don't leave the battery in a discharged condition. It may ruin it.
- Don't store the battery in temperatures above 80°F or below 0°F.
- Don't allow the battery to move freely inside the battery compartment. Always use the battery clamp to secure the battery.

DASHBOARD

- Keep these instructions for future reference.
- Requires 2 "AA" alkaline batteries (not included).
- Install batteries correctly. If batteries are installed backwards, this product will not work.
- To avoid battery leakage:
 1. Follow the toy and battery manufacturer's installation instructions.
 2. Do not mix old and new batteries. Do not mix standard (carbon-zinc), alkaline or rechargeable (nickel-cadmium or nickel-metalhydride) batteries. Do not mix different brands of batteries. Only batteries of the same or equivalent type as recommended are to be used.

Disposal

- The battery is a sealed lead-acid battery. Recycle or dispose of it in an environmentally sound manner.
- Do not dispose of the battery in your regular, household trash. The incineration, landfilling or mixing of sealed lead-acid batteries with household trash is prohibited by law in most areas.
- Return exhausted batteries to a federal or state approved lead-acid battery recycler or ask an Authorized Service Center.
- Remove dead or exhausted battery from product. Dispose of dead battery properly; do not burn or bury it.
- To get a replacement battery, please visit your local retailer or an Authorized Service Center.
- To locate a service center, see page 15 or call 1-877-743-3899.

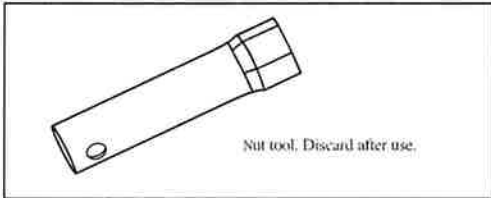
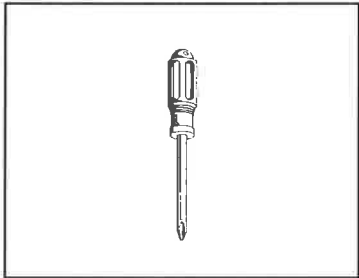
⚠ Alkaline Battery Cautions

3. Remove dead or exhausted batteries from product. Dispose of dead batteries properly; do not burn or bury them.
 4. Make sure cover is properly installed on unit at all times.
 - Do not attempt to recharge non-rechargeable batteries.
 - Charging of rechargeable batteries should be done under adult supervision with batteries removed from product.
 - Supply terminals are not to be short circuited.
- NOTE: If the unit stops working or doesn't work as it should, remove the batteries for a few minutes and then re-insert them. If there is still a problem, install new batteries.

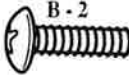
PARTS

NOTE: If you are missing a part, please call 1-877-743-3899. Do not return this product to the store. We suggest you identify all parts before assembly and save all packaging materials until after assembly to make sure no parts have been lost or discarded.


Tools needed:



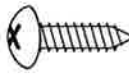
Nut tool. Discard after use.




B - 2




D - 2



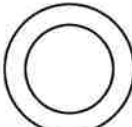
A - 5



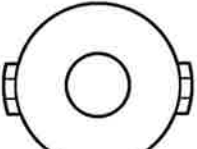
E - 4



C - 19



G - 2



F - 6

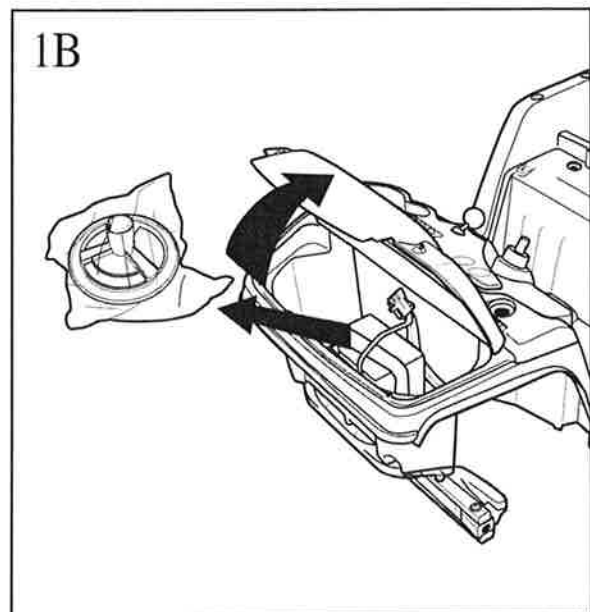
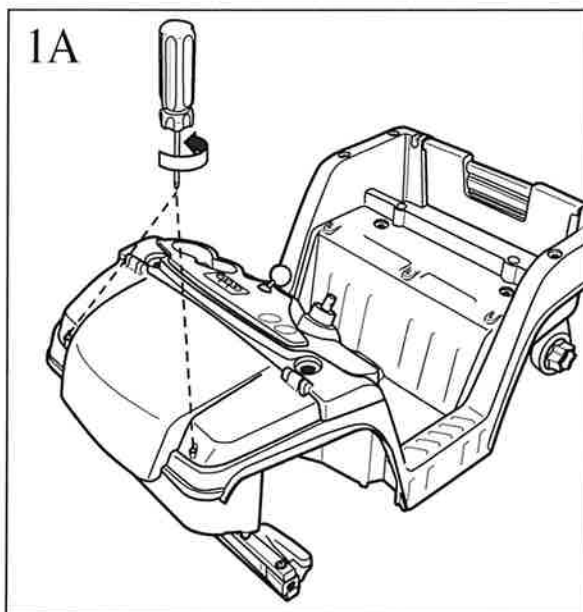
⚠ WARNING

This package contains small parts. Keep away from children until assembled.

CAUTION: Screws contain potentially hazardous sharp points or sharp edges. Adult assembly required.

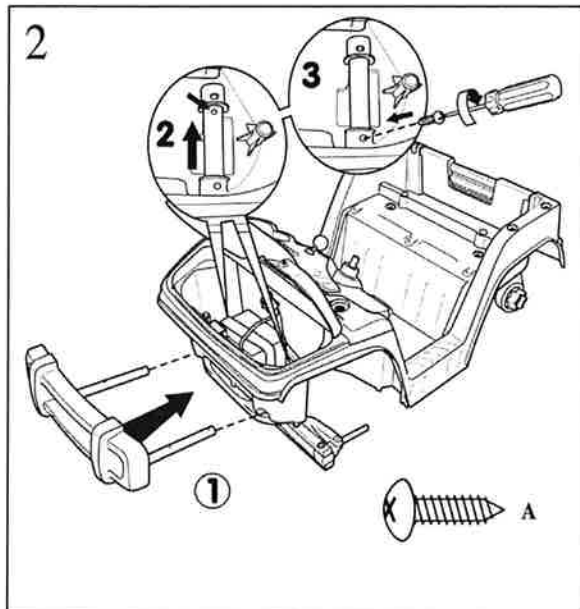
ASSEMBLY 1. Unpack

- Unscrew 2 screws on hood.
- Lift hood and retrieve hardware pack.



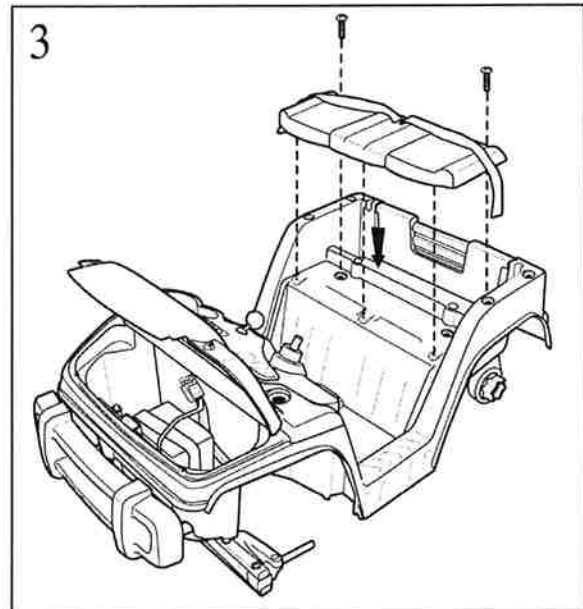
2. Front Bumper

- Slide bumper through two holes in body until it snaps (see view 2).
- Screw bumper down (see view 3) with screws (A).



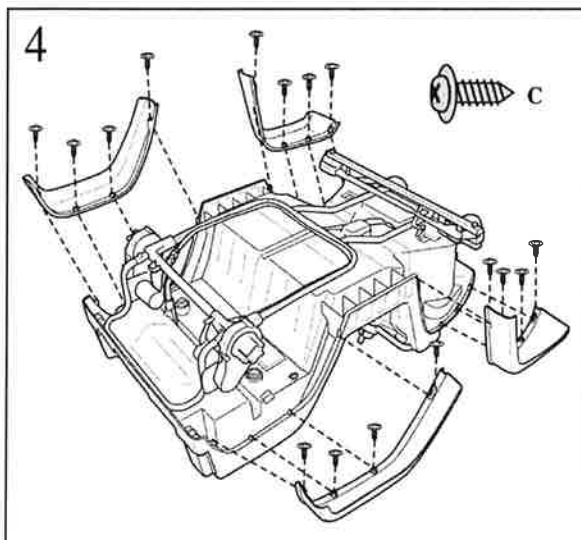
3. Bottom Seat - A

- Line up posts on bottom side of seat with holes on body.
- Attach seat bottom with screws (A).



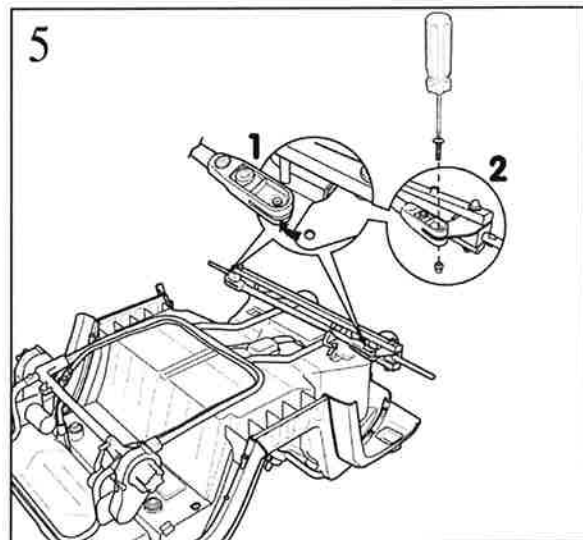
4. Fenders

- Snap on front fenders (middle two screws are snap-fit).
- Secure front fenders with screws (C).
- Snap on rear fenders (middle two screws are snap-fit).
- Secure rear fenders with screws (C).



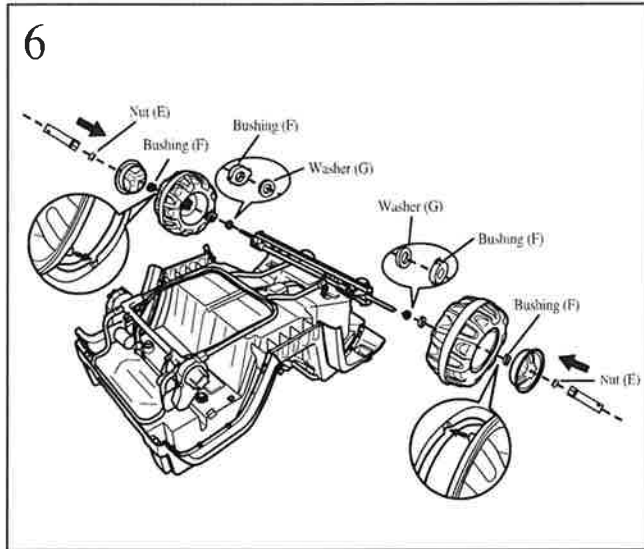
5. Front Steering Arm

- Line up holes in steering arm with hole in front axle connecting plate (see view 1).
- Insert bolt (B) through holes (see view 2).
- Tighten nut (D) on bolt.



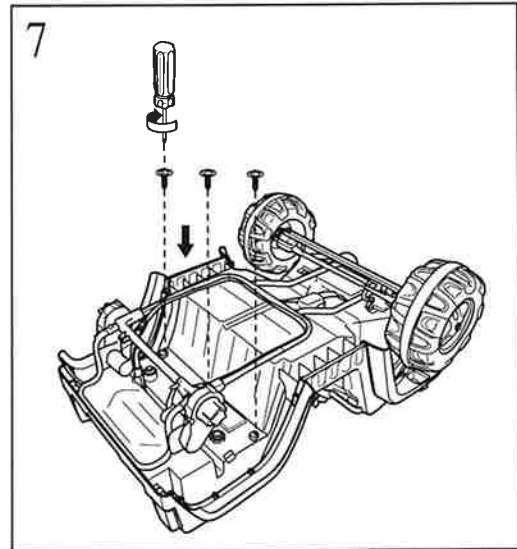
6. Front Wheels

- Slide washer (G) onto axle.
- Place bushing (F) into inner and outer recesses on both sides of wheels.
- Slide wheel with bushing onto axle.
- Slide hubcap onto axle (NOTE: be sure hub aligns with mating recess on wheel).
- Using the provided nut tool, fasten the cap nut on the end of the axle, and tighten.
- Repeat process for other side of car.



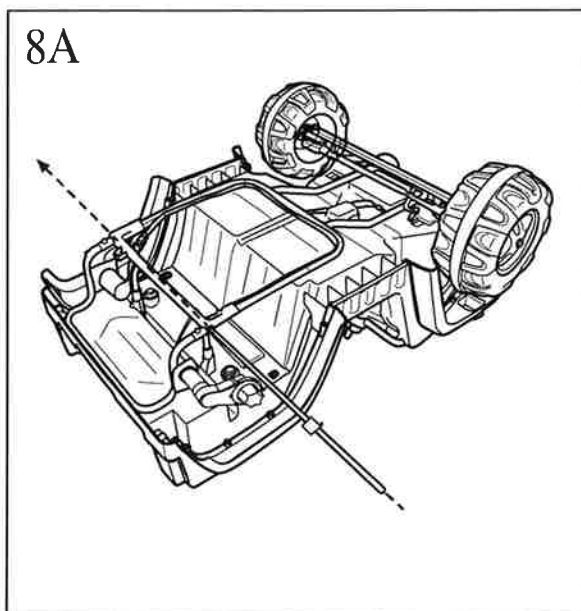
7. Bottom Seat - B

- Secure seat using screws (C).

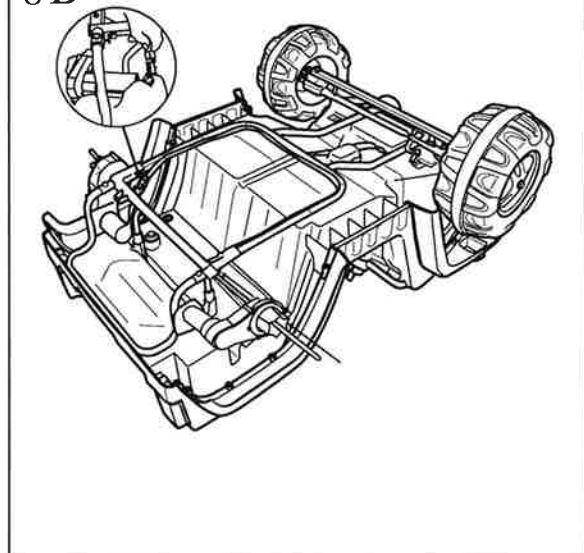


8. Rear Axle

- Slide the rear axle through the axle hole as shown.
- The axle stops when the stop tab on axle touches the metal frame.



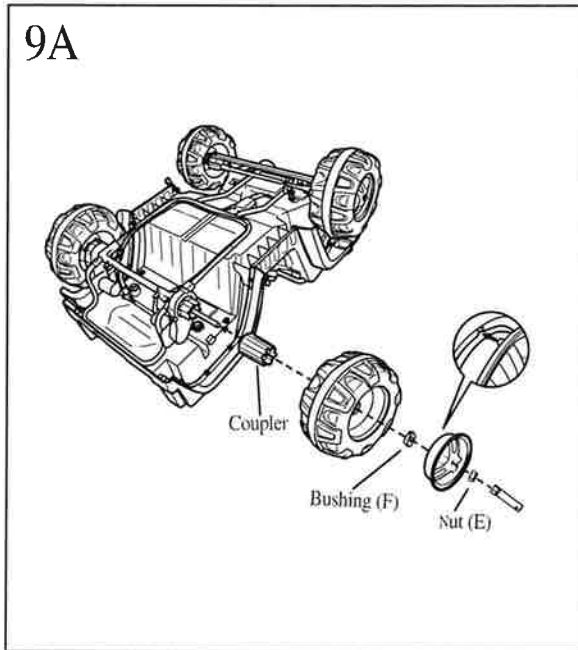
8 B



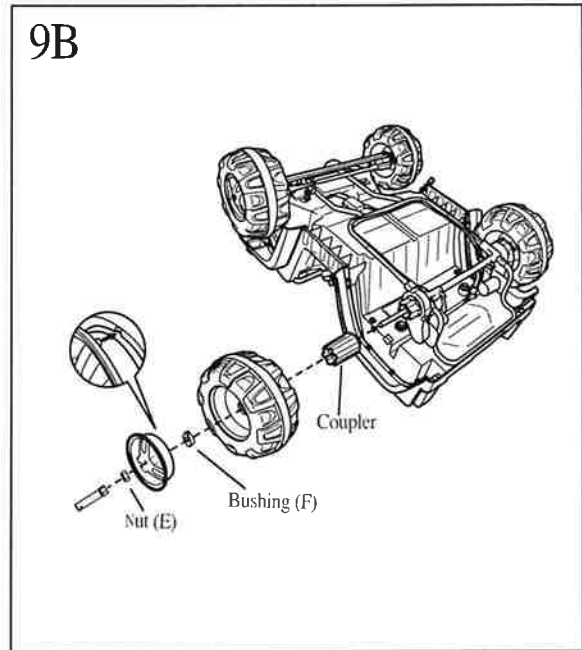
9. Rear Wheels

- Tip car on side and place block of wood under axle.
- Slide coupler onto axle (NOTE: hollow side of coupler is nearest to the gearbox).
- Place 1 bushing (F) into outer recess of each wheel.
(No bushing is needed for inner recess of rear wheels.)
- Slide wheel with bushings onto axle (NOTE: star shape on wheel must mate with coupler.)
- Slide hubcap on axle (NOTE: be sure hub aligns with mating recess on wheel).
- Using the provided nut tool, fasten the cap nut on the end of the axle, and tighten.
- Repeat process for other side of car.

9A



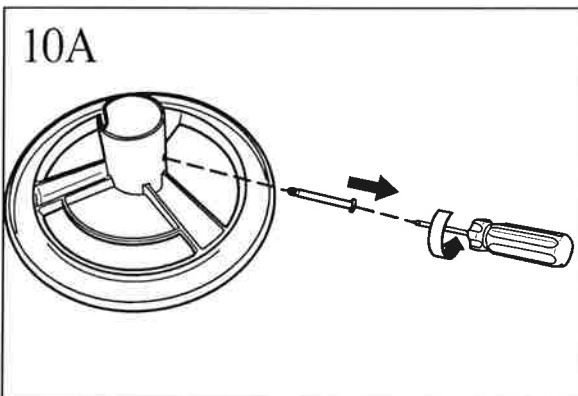
9B



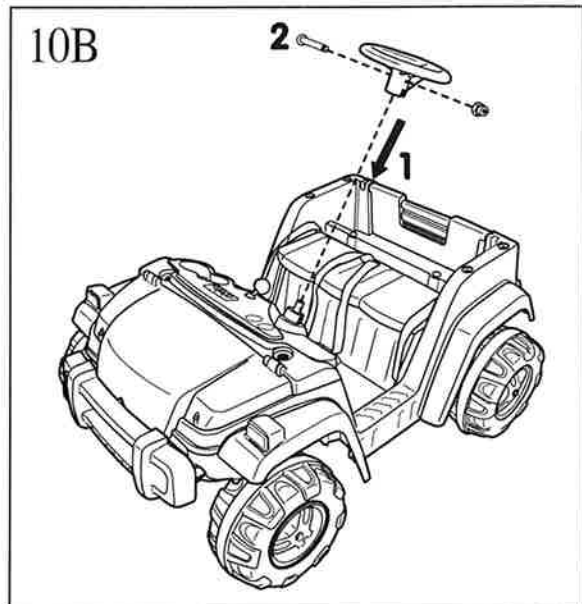
10. Steering Wheel

- Unscrew screw from steering wheel and nut.
- Locate steering wheel on shaft. Notches need to line up to ensure proper assembly.
- Screw through steering wheel and shaft to hex nut.

10A

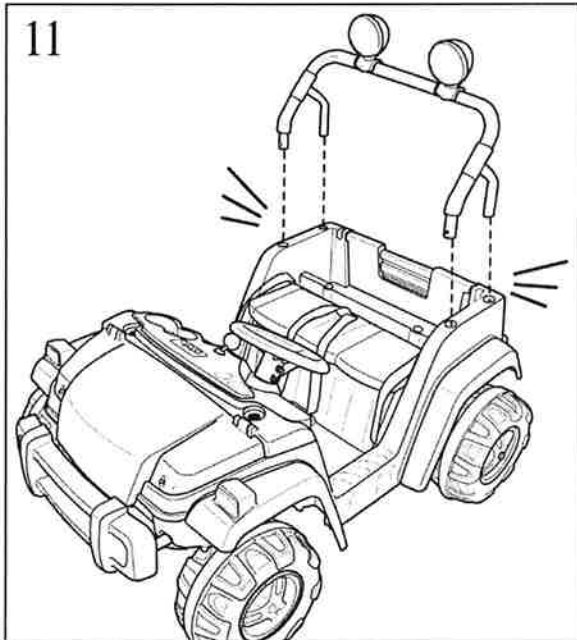


10B



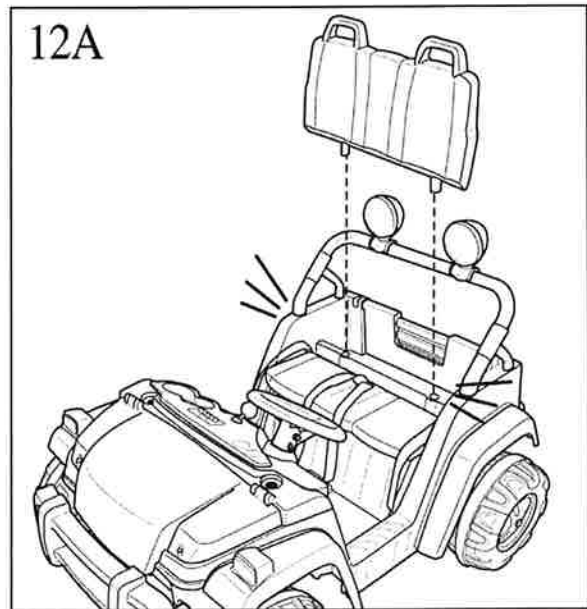
11. Roll Bar

- Snap roll bar into place as shown below.



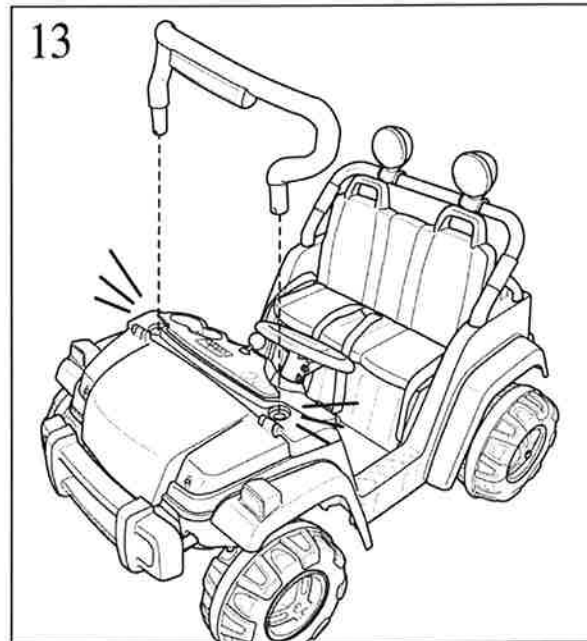
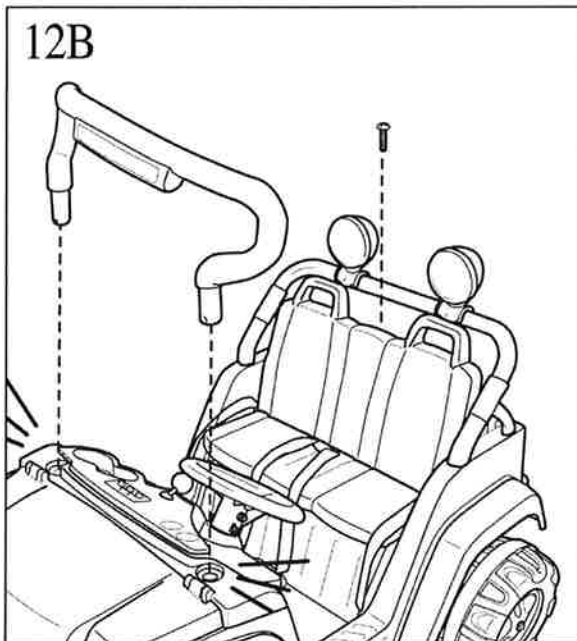
12. Seat Back

- Snap seat back into place as shown below.
- Attach with screw (A).



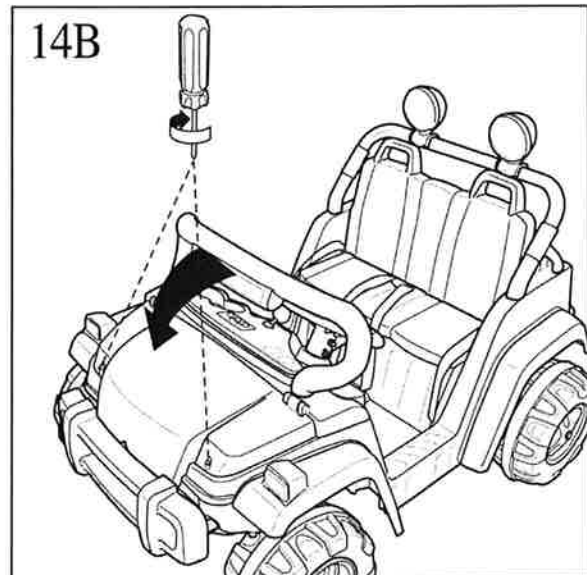
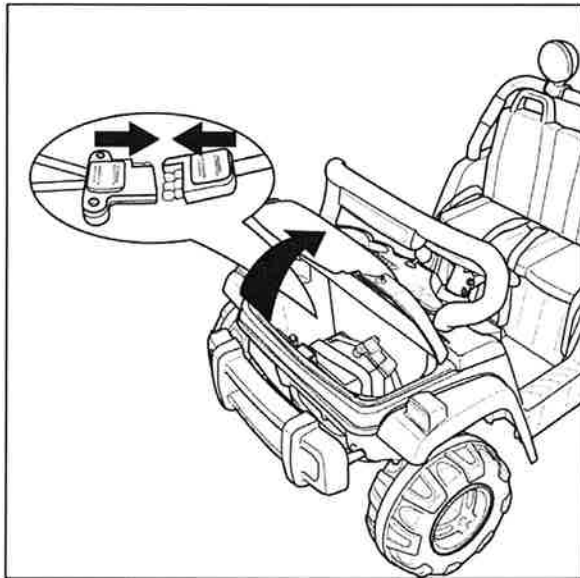
13. Windshield

- Snap windshield into place as shown below.



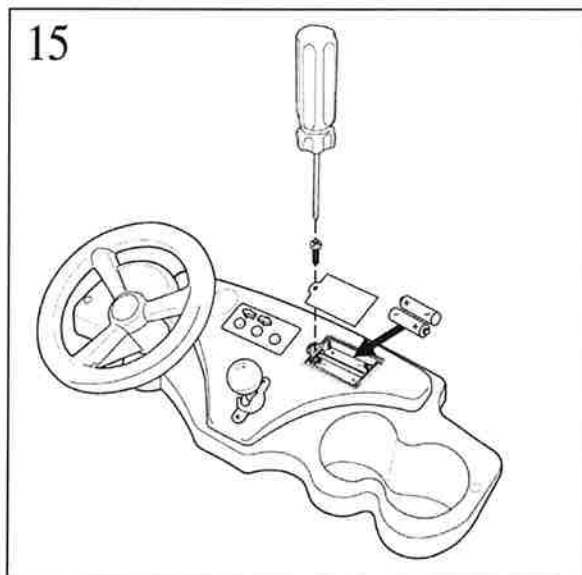
14. Battery Connection

- Lift hood.
- Connect battery harness to car harness as shown.
- Re-tighten two screws back down on hood.



15. Electronic Dash

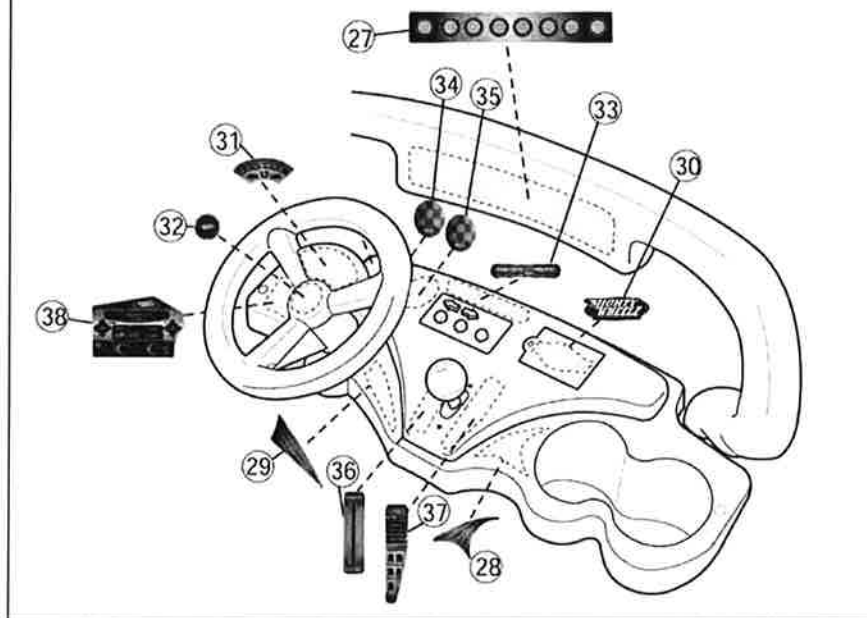
- Remove battery door.
- Insert 2 "AA" batteries as shown.
- Replace battery door and tighten screw.



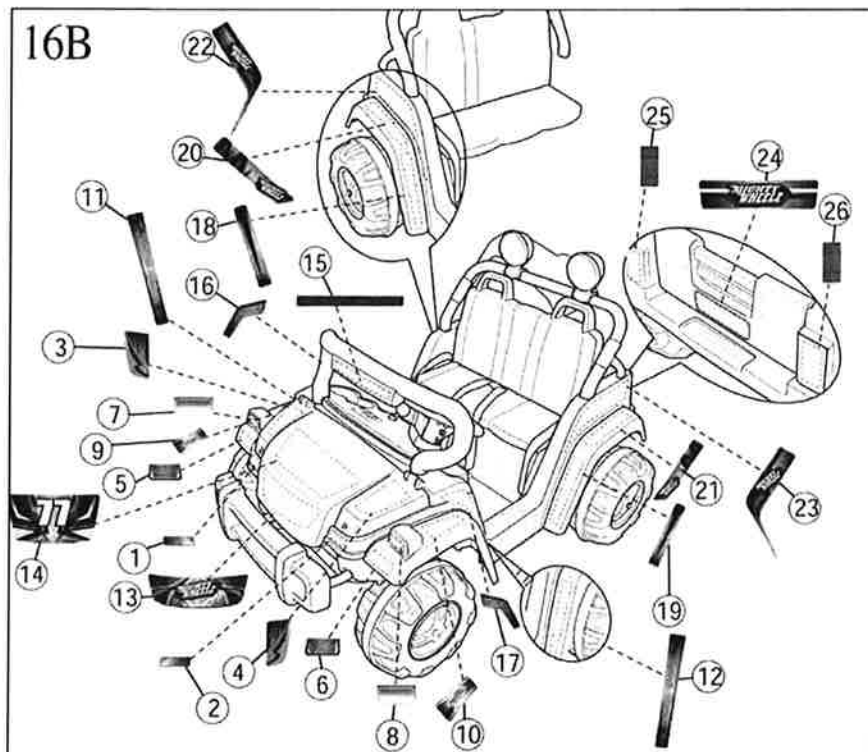
16. Decals

- Place decals as shown.

16A

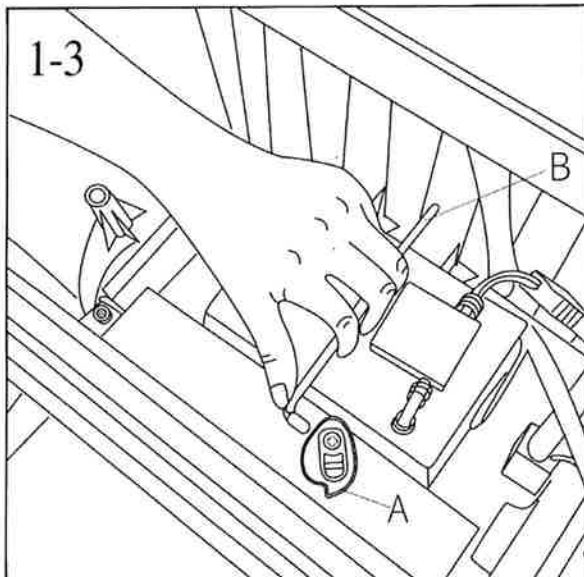
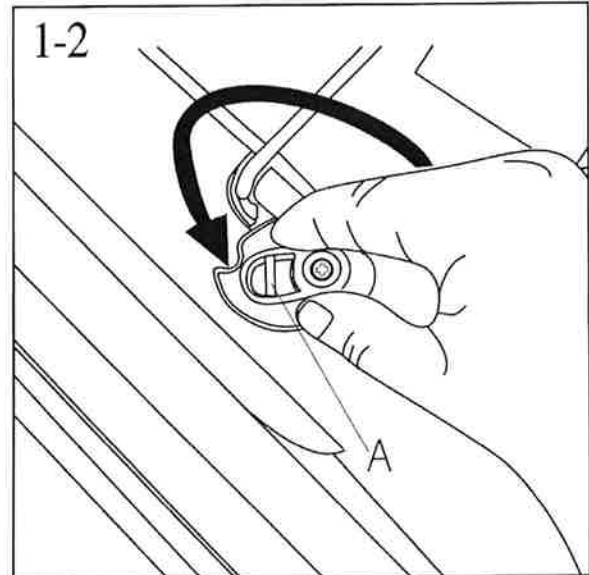
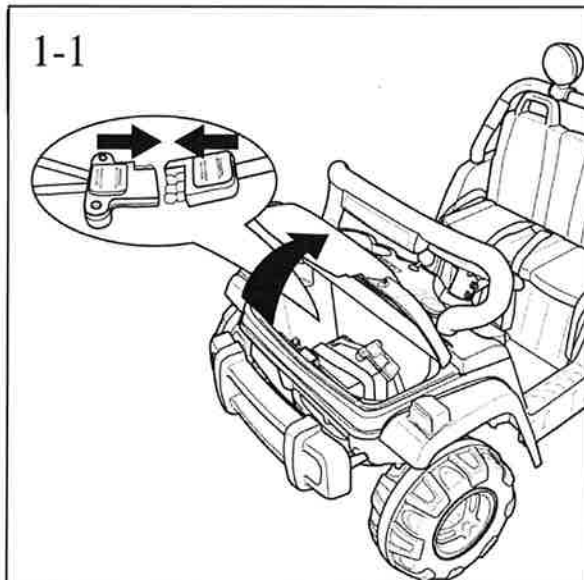


16B



17. Battery Replacement

- Lift hood, disconnect battery connector from car connector (view 1-1)
- Rotate the plastic battery clamp counter-clockwise (view 1-2)
- Slide end of metal battery clamp and pull end out of hole, then rotate battery clamp out of the way to remove the battery (view 1-3)



18. Battery Installation

- Place battery in compartment. Fold battery handle down.
- Rotate the plastic battery clamp and metal battery clamp to secure the battery.
- Attach car connector to battery connector.
- Close hood and secure with screws.

A- plastic battery clamp
B- metal battery clamp

VEHICLE Function & Operation

Forward

- Place shifter in the 1 position and press slowly on the accelerator.

Reverse

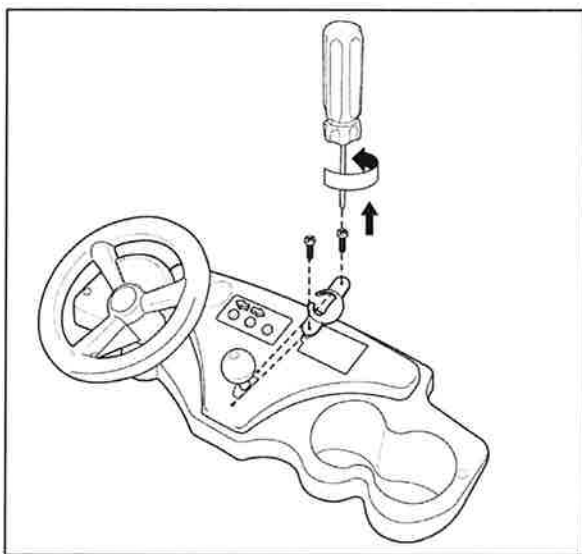
- **IMPORTANT:** Make sure the vehicle has come to a complete stop before switching between forward and reverse. Place shifter in the "R" position and slowly press on the accelerator.

Beginner use - low speed

Your vehicle has been pre-set to operate at low speed (2.5 mph, (4 kmh) maximum). Once your child has mastered safe driving skills and understands the Safe Driving Rules, the high speed lock-out cover can be removed to allow the vehicle to operate at both high and low speeds. (See Advanced use section).

Advanced use - disconnecting the high speed lock-out

Removing the high speed lock-out cover will allow the vehicle to be driven at the higher speed (5 mph, (8 kph) maximum) as well as the lower speed (2.5 mph, (4 kph) maximum). However, prior to removing the cover, be sure your child can safely steer and operate the vehicle and knows the rules for safe driving. **Store cover and screws away from children.** Do not operate in snow, sand, loose dirt or gravel. Doing so could cause electrical or mechanical damage.



Stop

- Vehicle will automatically stop after the accelerator is released.

Safety devices

- Auto power off. If the motor is overloaded for any reason, including improper usage, an electrical circuit breaker will automatically cut off the power, then resume after the parts have cooled.

VEHICLE

Troubleshooting

Problem	Possible Cause	Solution
Car does not move	Circuit breaker tripped	Circuit breaker may “trip” and stop the vehicle if it is overloaded or if the driving conditions are too severe. The breaker will automatically reset after approximately 25 seconds, and the vehicle will operate normally. To avoid repeated shut downs, don't overload the vehicle by exceeding the weight limit of 130 lbs. (59 kg), or by towing anything behind the vehicle. Don't drive up steep hills or run into objects, which can cause the wheels to stop turning while power is still being supplied to the motor. If breaker continually trips, contact your local Authorized Service Center.
	Loose wire or connectors	Check all wires and connectors. Make sure that the motor harness connector is plugged in tightly to the battery, and that there are no loose wires around the motor.
	Dead battery	An old or improperly cared for battery may be dead. If you're not sure whether it is dead or not, have it tested at the nearest Authorized Service Center.
	Undercharged battery	A new battery must be charged for at least 18 hours before using the vehicle for the first time. After that, it must be recharged for at least 14 hours after each use. Never charge longer than 24 hours. Check all connectors, and make sure the charger connector is plugged into the battery. Also check that the charger is plugged into the wall. Make sure the power flow to the wall outlet is on.
	Charger is not working	You must have a volt meter in order to tell whether or not a charger is working. If you think there may be a problem with the charger, take it to your nearest Authorized Service Center where they will test it for you.
	Electrical switch damage	When exposed to water or moisture, electrical switches can become corroded, or can jam due to loose dirt, sand or gravel. See your Authorized Service Center for diagnosis and repair.
Car was running but suddenly stopped	Loose wire or connectors	Check all wires and connectors. Make sure that the motor harness connector is plugged in tightly to the battery, and that there are no loose wires around the motor.
	Circuit breaker tripped	Circuit breaker may “trip” and stop the vehicle if it is overloaded or if the driving conditions are too severe. The breaker will automatically reset after approximately 25 seconds, and the vehicle will operate normally. To avoid repeated shut downs, don't overload the vehicle by exceeding the weight limit of 130 lbs. (59 kg), or by towing anything behind the vehicle. Don't drive up steep hills or run into objects, which can cause the wheels to stop turning while power is still being supplied to the motor. If breaker continually trips, contact your local Authorized Service Center.
Short operating time (less than 1 - 3 hours per charge)	Undercharged battery	A new battery must be charged for at least 18 hours before using the vehicle for the first time. After that, it must be recharged for at least 14 hours after each use. Never charge longer than 24 hours. Check all connectors, and make sure the charger connector is plugged into the battery. Also check that the charger is plugged into the wall. Make sure the power flow to the wall outlet is on.
	Overcharged battery	Never charge the battery longer than 24 hours. If you think the battery may be damaged due to overcharging, contact your Authorized Service Center for testing.
	Old battery will not accept a full charge	Rechargeable batteries don't last forever, even with proper care. Depending on vehicle use and use conditions, the average battery lasts 1 to 3 years. Replace an old battery with a new NPL approved 12V battery. To get a replacement battery, please visit your local retailer or Authorized Service Center. Never substitute parts.

VEHICLE

Troubleshooting

Problem	Possible Cause	Solution
Short operating time (less than 1 - 3 hours per charge)	Circuit breaker tripped	Circuit breaker may "trip" and stop the vehicle if it is overloaded or if the driving conditions are too severe. The breaker will automatically reset after approximately 25 seconds, and the vehicle will operate normally. To avoid repeated shut downs, don't overload the vehicle by exceeding the weight limit of 130 lbs. (59 kg), or by towing anything behind the vehicle. Don't drive up steep hills or run into objects, which can cause the wheels to stop turning while power is still being supplied to the motor. If breaker continually trips, contact your local Authorized Service Center.
Vehicle is sluggish	Undercharged battery	A new battery must be charged for at least 18 hours before using the vehicle for the first time. After that, it must be recharged for at least 14 hours after each use. Never charge longer than 24 hours. Check all connectors, and make sure the charger connector is plugged into the battery. Also check that the charger is plugged into the wall. Make sure the power flow to the wall outlet is on.
	Battery needs charging	Charge the battery for at least 14 hours after each use.
	Old battery will not accept a full charge	Rechargeable batteries don't last forever, even with proper care. Depending on vehicle use and use conditions, the average battery lasts 1 to 3 years. Replace old battery with a new NPL approved 12V battery from retailer or an Authorized Service Center. Never substitute parts.
	Vehicle is overloaded	Allow no more than 2 riders at a time, follow the 130 lbs. (59 kg) weight capacity, and don't tow anything behind the vehicle.
	Driving conditions are too extreme	Use only on generally level ground.
Vehicle works in low speed (NOTE: The vehicle operates in low speed only in reverse.)	High-speed lock-out has not been disconnected	Vehicle is pre-set to run only in low speed. For low and high-speed operation, the High-Speed Lock-Out must be disconnected. See Vehicle Function and Operation for instructions on how to remove the High-Speed Lock-Out cover.
Only one rear wheel turns	Vehicle is operating in low speed	One rear wheel may spin when both rear wheels are raised off the ground while the vehicle is in low speed, which is not necessarily a problem. Check the drive system by raising the rear wheels off the ground and pressing the accelerator. If only one wheel spins, carefully put your hand on the spinning wheel to slow it down. The other wheel should begin to spin. If it doesn't spin, there may be a problem. Contact your local Authorized Service Center for diagnosis and repair.
Intermittent vehicle operation	Loose wire or connectors	Check all wires and connectors to make sure they're tight.
	Motor or electrical switch damage	Contact your Authorized Service Center for diagnosis and repair.
When the accelerator is pressed, the vehicle won't run without a push	Loose wire or connectors	Check all wires and connectors to make sure they're tight.
	Dead spot on motor	Contact your Authorized Service Center for diagnosis and repair.
Motor-gearbox makes a loud grinding or clacking noise	Broken gears	Contact your Authorized Service Center for diagnosis and repair.
Charger gets warm during use	This is normal and should not be a concern.	No action required. If the charger does not get warm during use, it does not mean it isn't working properly.
Battery makes gurgling or sizzling noise while charging.	Some noise and swelling is normal and should not be a concern.	No action required. If the battery does not make noise while charging, it does not mean it isn't accepting the charge.
Electronic dash doesn't work.	Batteries are improperly installed.	Make sure "AA" batteries are installed exactly as shown on the battery compartment.
	Dead batteries	Replace batteries with new "AA" alkaline batteries.

LIMITED WARRANTY

(The warranty and toll free number only apply in the United States and Canada.)

This vehicle is warranted by NPL® for ninety days from date of purchase against defects in materials or workmanship. The warranty covers the NPL® vehicle **which has been used under normal circumstances, solely for the purpose for which it was intended and has been given proper care and maintenance.** The warranty does not cover damage by customer, damage which results from normal wear and tear or from alterations made by the customer, or damage caused by use for an unintended purpose. Shipping and handling are not covered by this warranty.

Please keep the original purchase receipt for any warranty claims, and inspect the product upon purchase for any defects or missing parts.

We are here to help-

- For parts order, please visit: www.funcreation.net
- For Customer Service, please email us: customerservice@funcreation.net
- Or call our toll free number: **1-877-743-3899**

