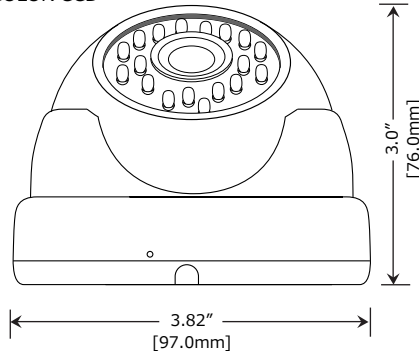


# Fixed Lens Camera for **Outdoor** Performance

## CMD605W/665, CMD605HW/CMD666, CMT2450/B, CMT2461B Turret Camera

### Features

- 1/3" Color Sony Super HAD CCD/HAD II/COLOR CCD
- 480/540/600/650 TV Lines
- Metal Case
- 3-Axis
- Weather-resistant
- Vandal-resistant

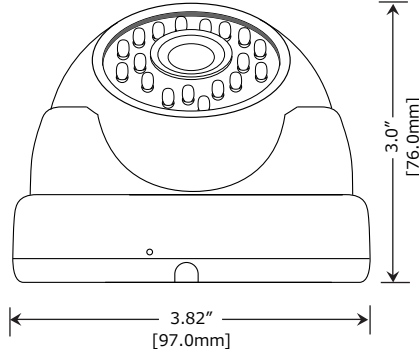


### Specifications

Model	CMD605W/665	CMD605HW/CMD666	CMT2450/CMD2450B/CMT2461B
<b>Image</b>	Image Sensor	SONY 1/3" Super HAD CCD	SONY 1/3" Super HAD CCD
	Effective Pixels	NTSC: 510 (H) X 492 (V)	NTSC: 510 (H) X 492 (V)
	Horizontal Resolution	480 TVL	540 TVL
<b>Lens</b>	Focal Length	3.6mm fixed lens	3.6mm fixed lens
	Sensing Area	4.9mm x 3.7mm	4.9mm x 3.7mm
	Iris	AES	AES
	Focus	-	-
	Zoom	-	-
	Video System	NTSC	NTSC
	Video Scanning Type	2:1 Interlace	2:1 Interlace
<b>Electrical</b>	Sync. System	Internal/External	Internal/External
	S/N Ratio	>52dB	>52dB
	Min. Illumination	0 Lux (IR Lamps On)	0 Lux (IR Lamps On)
	Video Output	1 Vp-p, 75 Ohms	1 Vp-p, 75 Ohms
	Electronic Shutter	1/60 ~ 1/100,000 sec	1/60 ~ 1/100,000 sec
<b>Infrared LED</b>	Infrared Red Lamps	23 IR LEDs	23 IR LEDs
	Effective IR Lighting Distance	70 ft	70 ft
<b>Power</b>	Input Voltage	DC 12V	DC 12V
	Power Consumption	500mA/ Recommended: 1A	500mA/ Recommended: 1A
<b>Environment</b>	Weather Protection	Weather-resistant	Weather-resistant
	Vandal Protection	Vandal-resistant	Vandal-resistant
<b>Mechanical</b>	Operating Temperature	-20°C ~ +50 °C	-20°C ~ +50 °C
	Storage Temperature	-	-
	Chasis Material & Color	White (CMD605W) Metallic (CMD665)	White (CMD605HW) Metallic (CMD666)
	Product Net Weight	1.7lbs	1.7lbs
	Product Dimension	97mm x 76mm	97mm x 76mm

### Features

- 1/3" COLOR CCD
- 650 TV Lines
- Metal Case
- 3-Axis
- Weather-resistant
- Vandal-resistant



### Specifications

Model	CMT2465/CMT2465	CMT2066/CMT2066B	
<b>Image</b>	Image Sensor	1/3" Color CCD	1/3" Color CCD
	Effective Pixels	NTSC: 510 (H) X 492 (V)	NTSC: 768 (H) X 494 (V)
	Horizontal Resolution	650 TVL	650 TVL
<b>Lens</b>	Focal Length	3.6mm fixed lens	3.6mm fixed lens
	Sensing Area	4.9mm x 3.7mm	4.9mm x 3.7mm
	Iris	AES	AES
	Focus	-	-
	Zoom	-	-
	Video System	NTSC	NTSC
	Video Scanning Type	2:1 Interlace	2:1 Interlace
<b>Electrical</b>	Sync. System	Internal/External	Internal/External
	S/N Ratio	>52dB	>52dB
	Min. Illumination	0 Lux (IR Lamps On)	0 Lux (IR Lamps On)
	Video Output	1 BNC, 1.0 Vp-p, 75 Ohm Comp.	1 Vp-p, 75 Ohms
	Electronic Shutter	1/60 ~ 1/100,000 sec	1/60 ~ 1/100,000 sec
<b>Function</b>	White Balance	ATW	ATW
	BLC	BLC	BLC
	Gain Control	Auto	Auto
	OSD	-	-
	Wide Dynamic Range	-	-
	Star Light Sensing	-	-
	DNR	2D DNR	2D DNR
<b>Infrared LED</b>	Infrared Red Lamps	23 IR LEDs	48 IR LEDs
	Effective IR Lighting Distance	70 ft	130 ft
<b>Power</b>	Input Voltage	DC 12V	DC 12V
	Power Consumption	500mA/ Recommended: 1A	500mA/ Recommended: 1A
<b>Environment</b>	Weather Protection	Weather-resistant	Weather-resistant
	Vandal Protection	Vandal-resistant	Vandal-resistant
	Operating Temperature	14°F ~ 122 °F (-10°C ~ 50 °C)	14°F ~ 122 °F (-10°C ~ 50 °C)
	Storage Temperature	4°F ~ 144 °F (-20°C ~ 60 °C)	4°F ~ 144 °F (-20°C ~ 60 °C)
<b>Mechanical</b>	Chassis Material & Color	White (CMT2465) Metallic (CMT2465B)	White (CMT2066) Metallic (CMT2066B)
	Product Net Weight	1.7lbs	1.7lbs
	Product Dimension	97mm x 76mm	97mm x 76mm