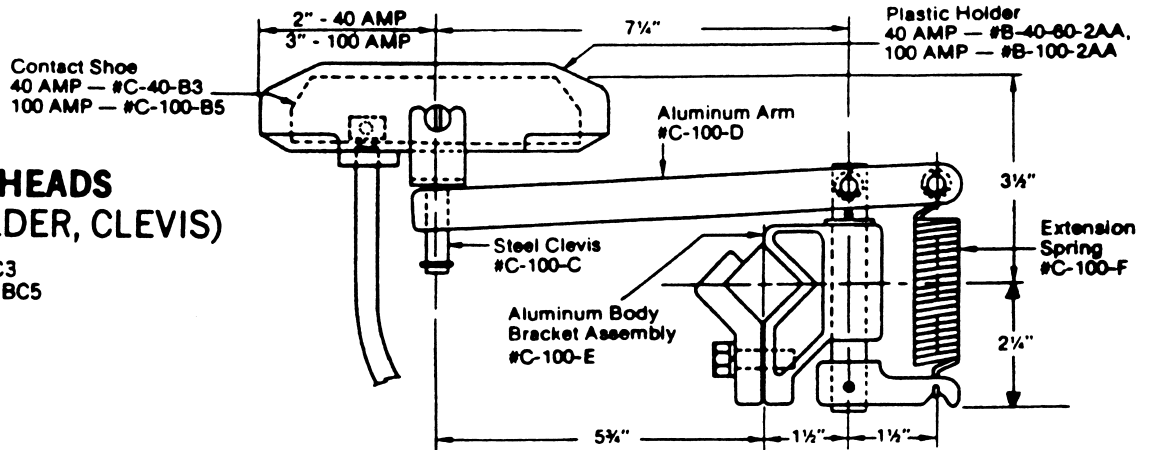




P.O. Box 519	1351 W. Second Street	379 Davis Road, Unit #3
Corona, California 92878-0519	Oconomowoc, Wisconsin 53066	Oakville, Ontario, Canada L6J 2X2
Phone: 909-735-8220; 800-543-3885; 800-735-1922	Phone: 262-567-2288	Phone: 905-844-1791; 800-361-9473
Fax: 909-735-2372; 800-752-6001; 800-735-0857	Fax: 262-567-0857	Fax: 905-844-2533; 800-663-0933

COLLECTOR REPLACEMENT PARTS

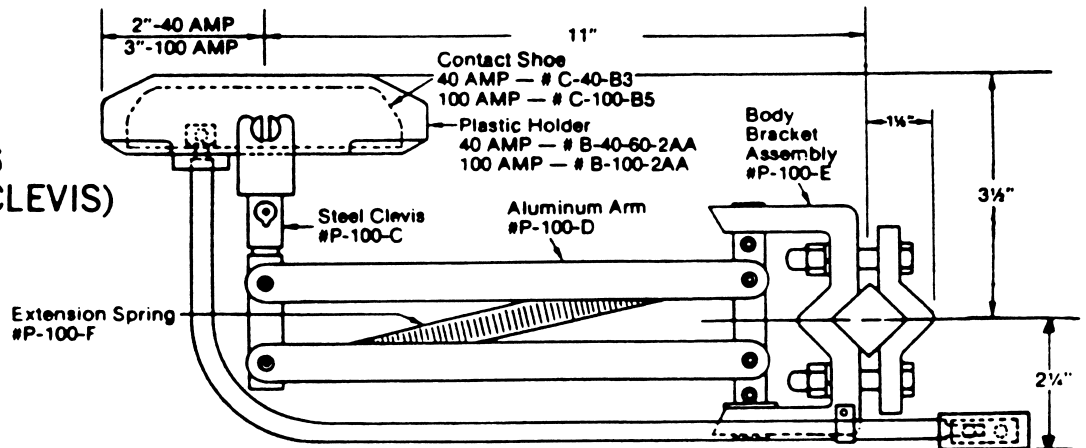
C — SERIES COLLECTORS



COMPLETE HEADS (SHOE, HOLDER, CLEVIS)

40 AMP — #C-40ABC3
100 AMP — #C-100ABC5

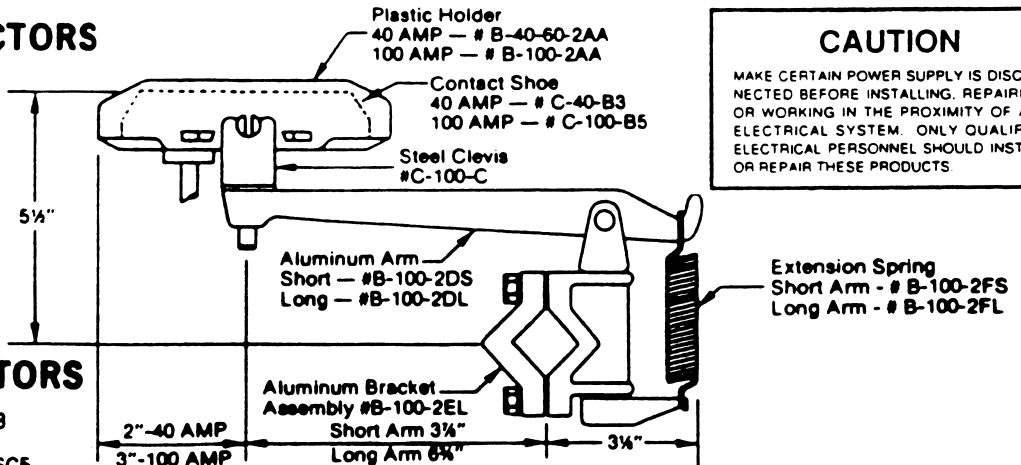
P — SERIES COLLECTORS



COMPLETE HEADS (SHOE, HOLDER, CLEVIS)

40 AMP — #P-40ABC3
100 AMP — #P-100ABC5

B — SERIES COLLECTORS



CAUTION
MAKE CERTAIN POWER SUPPLY IS DISCONNECTED BEFORE INSTALLING, REPAIRING, OR WORKING IN THE PROXIMITY OF ANY ELECTRICAL SYSTEM. ONLY QUALIFIED ELECTRICAL PERSONNEL SHOULD INSTALL OR REPAIR THESE PRODUCTS.

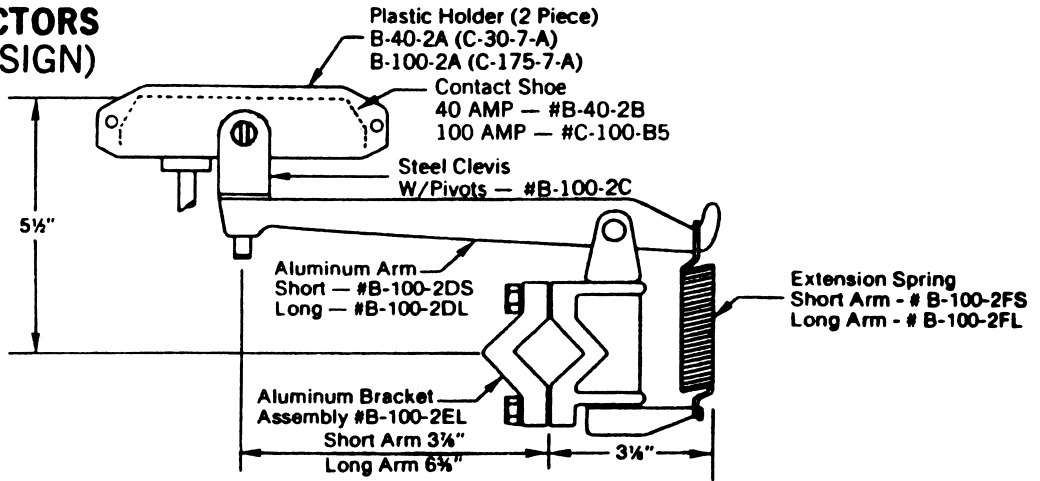
COMPLETE HEADS SAME AS C-SERIES

COMPLETE COLLECTORS

40 AMP SHORT ARM — #B-40-2SC3
40 AMP LONG ARM — #B-40-2LC3
100 AMP SHORT ARM — #B-100-2SC5
100 AMP LONG ARM — #B-100-2LC5

*SEE OVERLEAF FOR OBSOLETE PARTS

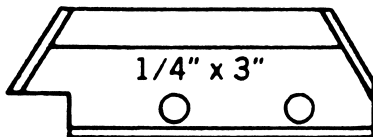
B — SERIES COLLECTORS (OBSOLETE DESIGN)



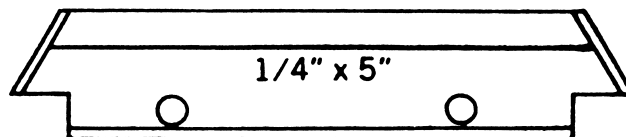
NOTE: Some older systems require 3/16" wide contact shoes. The following items should be ordered:
 30 AMP Contact Shoe — #B-30-2B
 75 AMP Contact Shoe — #B-75-2B
 Plastic Holder For B-30-2B (2 piece) — #B-30-2A
 Plastic Holder For B-75-2B (2 piece) — #B-75-2A

COLLECTOR CONTACT SHOES (B, C & P—SERIES COLLECTORS)

CURRENT DESIGN (GROOVED CONTACT SURFACE)

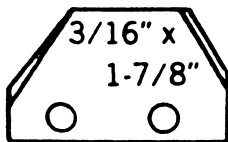


#C-40-B3

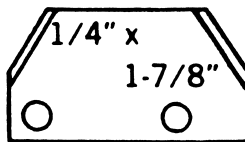


#C-100-B5 (B-100-2B5)

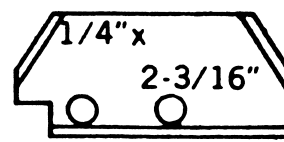
OBSOLETE DESIGN (GROOVED CONTACT SURFACE)



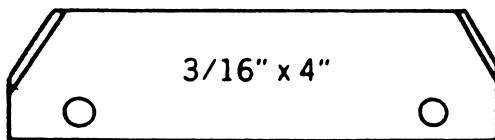
#B-30-2B



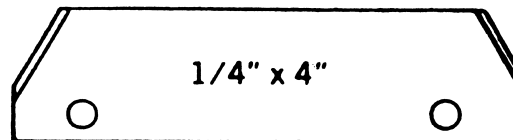
#B-40-2B



#B-40-2B2
OBSOLETE — USE #C-40-B3



#B-75-2B (W2-100-7B)



#B-100-2B (D-175-7B)
OBSOLETE — USE #C-100-B5

MAINTENANCE PARTS

Catalog No.
B-100-2ACT

Cleaning Head Assembly —

Consists of two piece holder, steel clevis, and stainless steel wire cleaning brush
(May adapt to existing B-Series or C-Series Collector Arms)

NOTE: Additional collector required with contact shoe to maintain power.

C-100-LCT

Complete Collector Assembly (C-Series) with . . .
. . . Cleaning Brush in lieu of Contact Brush.

B-100-CT

Stainless steel wire cleaning brush only

B-100-TT

Micro hone only — 1/4" wide x 4" long

B-75-TT

Micro hone only — 3/16" wide x 4" long

CAUTION

MAKE CERTAIN POWER SUPPLY IS DISCONNECTED BEFORE INSTALLING, REPAIRING, OR WORKING IN THE PROXIMITY OF ANY ELECTRICAL SYSTEM. ONLY QUALIFIED ELECTRICAL PERSONNEL SHOULD INSTALL OR REPAIR THESE PRODUCTS.