

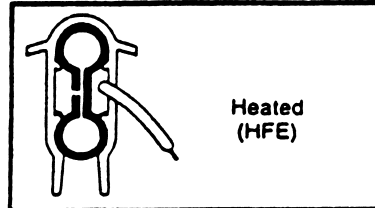


P.O. Box 519	1351 W. Second Street	379 Davis Road, Unit #3
Corona, California 92878-0519	Oconomowoc, Wisconsin 53066	Oakville, Ontario, Canada L6J 2X2
Phone: 909-735-8220; 800-543-3885; 800-735-1922	Phone: 262-567-2288	Phone: 905-844-1791; 800-361-9473
Fax: 909-735-2372; 800-752-6001; 800-735-0857	Fax: 262-567-0857	Fax: 905-844-2533; 800-663-0933

SPECIAL INSTALLATION INSTRUCTIONS SUPPLEMENT DUCT-O-BAR FIGURE 8 SYSTEMS

II. DE-ICING SYSTEM

A. CONDUCTOR INSTALLATION



CAUTION
MAKE CERTAIN POWER SUPPLY IS DISCONNECTED BEFORE INSTALLING, REPAIRING, OR WORKING IN THE PROXIMITY OF ANY ELECTRICAL SYSTEM. ONLY QUALIFIED ELECTRICAL PERSONNEL SHOULD INSTALL OR REPAIR THESE PRODUCTS.

Install the conductor system as shown on the enclosed "Installation Instructions" except for joint covers. **CAUTION:** Care must be taken when drawing conductor bars together to avoid damage to the heating cables and connectors.

B. JOINT CONNECTIONS

Refer to Figure #1 showing the following steps:

- 1 & 2. Connect the Male & Female Heating cable terminals and arrange cable leads as shown.
3. Install the joint cover by placing the two halves around the conductor assembly and heating cable connection.
4. Place waterproof insulating tape over seam of two joint cover halves.
5. Install spring clip over joint cover thus securing the insulating case.

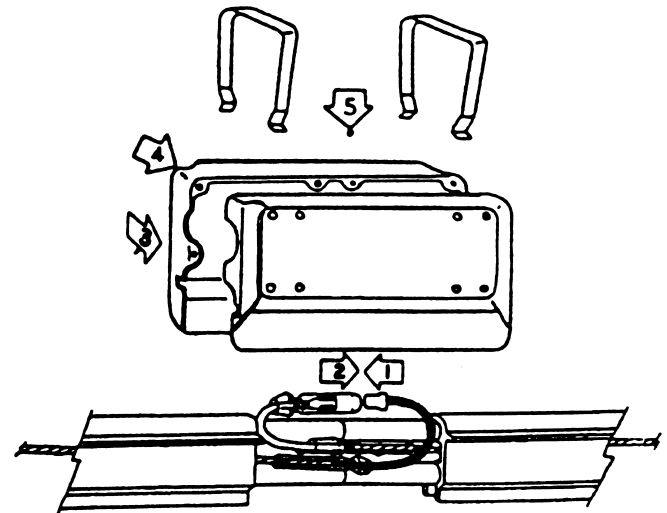


Figure #1

C. POWER INPUT TO HEATING CABLES

Refer to separate schematic wiring diagram furnished which shows the precise location where power should be fed to the heating cables. This connection should be made at nearest adjacent joint where the input cable may be connected to the heating connection.

NOTES:

1. In order to provide an efficient de-icing system, the heating cables have been selected to provide between 5 and 12 watts of heat output per lineal foot.

The thermostat furnished in the heater control cabinet is preset to turn the de-icing system on when ambient temperature drops below 35 degrees F.

- cont'd on reverse -

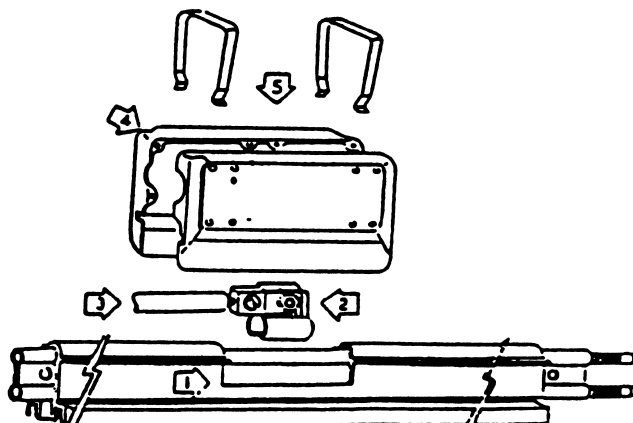
Brochure HFE-00INST

3. Installation instructions for the Figure 8 conductor system are shown in the attached brochure, FE-95INST. Because of the added heater cable the following exceptions apply:

- **HFE Power Feeds.** The power feed lugs for the conductor system must be installed away from a joint location requiring that the cover be notched to accept the power feed lug. The joint covers provided with the heated system do not have room for both the heater cable connections and the power feed lugs.
- **End Caps.** B-100-1GC end caps are provided with heater cable systems. These caps have an access for the heater cable to exit the ends of the conductors for external connections at junction boxes near the ends of the conductor runs.
- **Heater Control Panel wiring diagrams and external heater cable circuit wiring diagrams are provided with the system. Care must be taken to connect the system as instructed in the diagrams. Failure to do so may result in damaged heater cable or improper heat output for the system.**
- **Any additions to the conductor system will result in a change in the heater cable system. Contact the Duct-O-Wire Company for information regarding added heater cable and re-engineering the circuit requirements.**
- **Heated systems installed outdoors must have insulated hangers on the conductors and all expansion gap assemblies. If the installation is exposed to direct sunlight the conductor cover should be of the sun cover or high temperature variety.**

Power Feed Installation

Cut the conductor insulating cover to accept the connector clamp. Install the connector clamp and the power feed-in cable. Place the power feed insulating case halves around the connector clamp and secure with the two spring clips.



CAUTION

MAKE CERTAIN POWER SUPPLY IS DISCONNECTED BEFORE INSTALLING, REPAIRING, OR WORKING IN THE PROXIMITY OF ANY ELECTRICAL SYSTEM. ONLY QUALIFIED ELECTRICAL PERSONNEL SHOULD INSTALL OR REPAIR THESE PRODUCTS.

NOTE: Both the conductor disconnect and the heater cabinet disconnect must be turned off when working on the system.