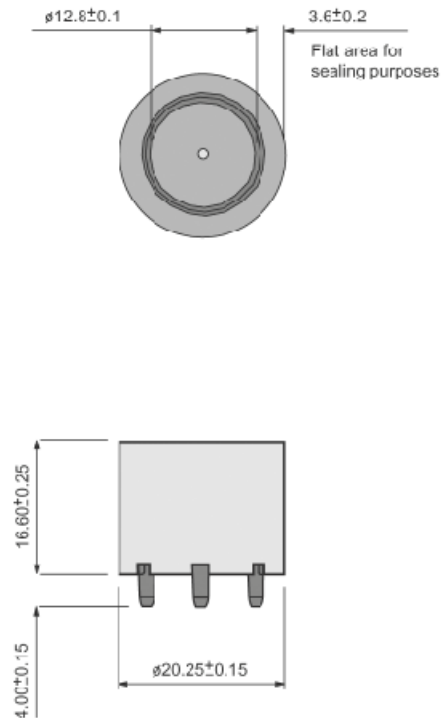


Operating Performance

Operating Principle	3-electrode electrochemical
Gas Detected	Hydrogen Sulphide
Measurement Range	0-100 ppm
Maximum Overload	150 ppm
Expected Operating Life	2 years in air
Output Signal	0.07 ±0.02µA per ppm
Temperature Range	Continuous: -20°C to +40°C Intermittent: -40°C to +55°C
Pressure Range	1 atm ±10%
Humidity Range (non-condensing)	Continuous: 15 - 90% RM Intermittent: 0 - 99% RM
Response Time (T ⁹⁰)	<20 seconds
Baseline Offset (clean air)	<±0.5ppm equivalent
Zero Shift (-40°C to +50°C)	<±0.4ppm equivalent
Long Term Output Drift	<2% per month
Repeatability	<±5%
Linearity	Linear <±5%
Recommended Load Resistor	5Ω
Bias Voltage	Not required

Outline Dimensions

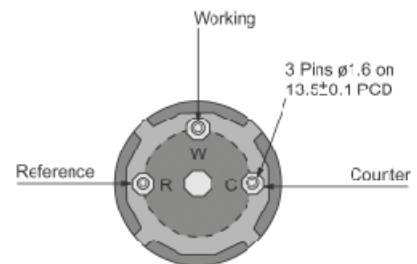


Intrinsic Safety Data

Maximum at 150 ppm	0.15mA
Maximum o/c Voltage	0.8V
Maximum s/c Current	<1.0A

Physical Specification

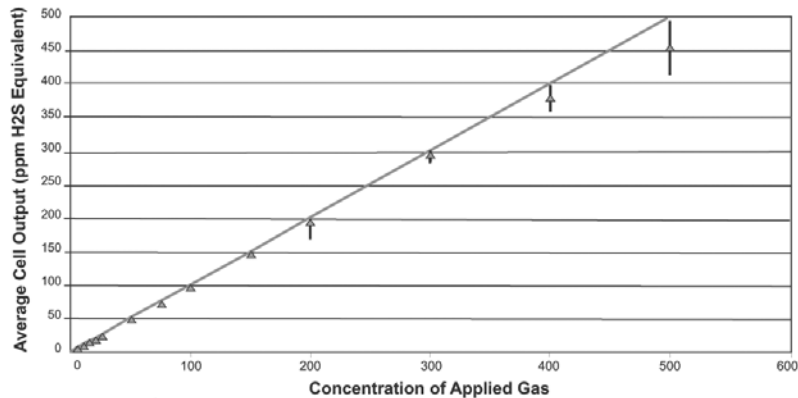
Weight	5g (approx)
Housing Material	Noryl 110
Storage Life	6 months in sealed container
Storage Conditions	+10°C to +30°C
Orientation	Any
Warranty Period	18 months from date of despatch



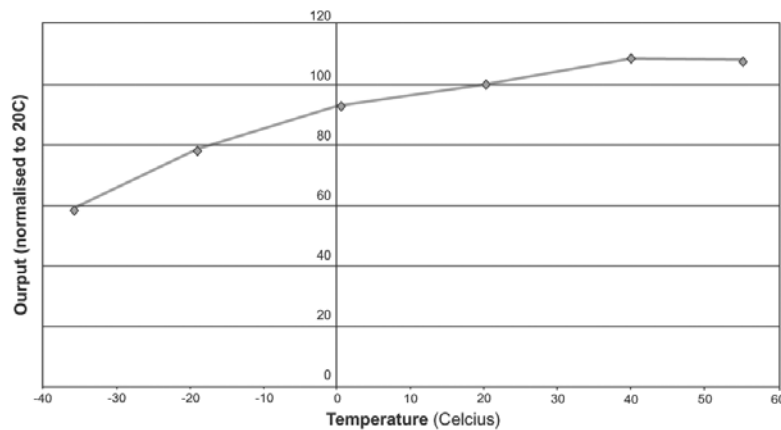
All dimensions in mm
All tolerances ± 0.15 mm unless otherwise stated

Product Data Sheet

H2S (M) Surecell Linearity: 0 to 500ppm H2S (-1stdev)



Temperature performance of H2S (M) Surecells



Cross Sensitivity Table

Gas	Concentration Used (ppm)	Reading (ppm H ₂ S)	Gas	Concentration Used (ppm)	Reading (ppm H ₂ S)
Carbon Monoxide	50	0	Ethanol		TBA
Hydrogen Sulphide	10	10	Propanol		TBA
Sulphur Dioxide	2	0	Acetone		TBA
Nitrogen Dioxide	3	0	Ozone		TBA
Nitric Oxide	25	0	Arsine		TBA
Chlorine	0.5	0	Diborane		TBA
Hydrogen Sulphide	100	0	Phosphine		TBA
Ethylene	100	0	Silane		TBA
Carbon Dioxide	5000	0	Germane		TBA
Ammonia	50	0	Hydrogen Chloride		TBA
Methane		TBA			

Note: The figures in this table are typical values and should not be used as a basis for cross calibration. Cross sensitivities may not be linear and should not be scaled. All data based on a 5 minute gassing. For some cross interferents break through will occur if gas is applied for a longer time period.

The data contained in this document is intended for guidance only and it is the Clients' responsibility to perform any necessary tests to ensure correct performance of this product in specific application for which it is intended. In the interest of product improvement, Sixth Sense reserve the right to alter and amend the product and its performance without notice. As this product may be used by the Client in circumstances outside the control of Sixth Sense, we cannot give any warranty as to the accuracy of these details in any specific application.

