

IT'S TIME TO PLAY!



A&A
MANUFACTURING

3750 West Indian School Road
Phoenix, Arizona 85019
1-800-851-8492 • 602-256-6935
FAX 602-532-4893
www.aamfg.com

U.S. Patent Numbers: 4322860 / 4466142 / 3405733 / 4523606 / 4570663 / 4501659 / 5750022 / 6022481 / 6189556
and other patents pending

0705

Owner's Guide

A&A

BUILTIN POOL CLEANING AND CIRCULATION SYSTEMS

Part Description	Page
Welcome	2
How A&A Built-in Systems Work	2
A&A Built-in System Pool Schematic	3
Operating Instructions	4
Operating Time	4
"Top Feed" 5 & 6 Port Water Actuated Valve	5
Speed Adjustment	5
QuikStop™ Pause Control	5
Removing Valve Top	6
Replacing Valve Top	6
"Low Profile" 6 Port Water Actuated Valve	7
Speed Adjustment	7
QuikStop Pause Control	8
Removing Valve Clear Lid	8
Replacing Valve Lid	8
A&A Heavy Debris Removal Systems	9
General Pool Maintenance	9
QuikSkim Venturi Powered Skimmer	10
Quik Leaf-Vac®	10
Troubleshooting	11
How To Order Replacement Parts	12
"Low Profile" Water Actuated Valve Assembly	14
Top Feed Water Actuated Valve Assembly	15
Warranty Card Information	16

Table of Contents

1

4

PART

Operating Instructions

The operating instructions for your new A&A Built-in System are very simple... **there aren't any!**

That's right, the A&A Built-in System is so advanced, yet so simple, that it requires no operating procedures or even routine maintenance to keep it operating at peak efficiency. Simply clean the pool filter, skimmer and pump baskets as you normally would. That is all there is to it. The A&A Built-in System operates automatically.

Operating Time

The operating time of your A&A Built-in System will be exactly the same as the run time for your pool's filtration system. Operating time is based upon the atmospheric conditions in your area that deliver sun, wind, rain, dust, etc. Operating time should be no longer than required to keep your pool clear, clean and sanitized. Summer months, or periods of heavy use, will require additional operating time.

For the first week, run the A&A in-floor system 24 hours per day, backwashing the filter and emptying often the skimmer, pump basket and Quik Leaf-Vac basket, if present. After the first week, and for the next 3 days, reset the time clock to operate the in-floor system for a minimum of 12 hours per day. Reduce the in-floor run time by 1 hour every 3rd day until it becomes obvious that more run time is needed; then add 1 hour. In any event, to assure proper filtration and turnover rate, run time should be no less than 6 hours per day.

In the event of a storm or other adverse conditions, it may be advisable to vacuum your pool immediately to remove any debris.

16

13

Warranty Card

The warranty card (inserted in this owner's guide) must be completed and returned to A&A Manufacturing within 30 days of pool start-up in order to activate the warranty. Failure to mail the completed card could void your warranty.

If you do not have your Warranty Certificate Number you must first contact A&A Customer Satisfaction for directions.

(800) 851-8492 outside Arizona

(602) 256-6935 in Arizona

Parts deemed to be under warranty will be replaced and returned by regular ground service, freight pre-paid. If expedited freight is requested, the parts will be shipped freight collect at the expense of the consumer.

OUT-OF-WARRANTY PARTS

Out-of-warranty parts need not be returned. Replacement parts may be ordered by calling A&A Customer Satisfaction on our toll free line, (800) 851-8492 or (602) 256-6935 in Arizona, or by visiting our website: www.aamfg.com.

PART

Welcome!

Congratulations on the purchase of your new swimming pool! And thank you for choosing to include the **A&A Built-in Cleaning and Circulation System**, the finest automatic swimming pool cleaning and circulation system in the world. It is our pleasure to welcome you to the rapidly growing worldwide family of satisfied A&A Cleaning and Circulation System owners. We appreciate the opportunity to serve you and your family.

The Basics of How an A&A Built-in System Works.

The patented A&A Water Valve (a) (see Figure 1, page 3), directs water to a set or zone of two or more patented A&A Pop-up Cleaning Heads (b) that are pre-programmed and pop-up to send a powerful stream of filtered, treated water across the floor, steps, benches and walls of your pool and spa. The activated cleaning heads sweep dirt and debris into suspension to be removed through the main drain (c) and/or skimmer (d) to the filter (e), where the water is thoroughly cleaned before returning to the pool. The water valve then automatically directs this chemically treated, filtered water to the next zone of cleaning heads. The previously activated cleaning heads will return flush with the pool floor while rotating to the next programmed position. The activation of the pop-up cleaning heads will continue as long as the pool filtration system is operating.

A&A Heavy Debris Removal Systems offer all the benefits of the standard A&A System plus the added benefits of more effectively removing heavy, non-suspendible debris, while offering impressive water circulation with the patented Quik Leaf-Vac® (f) and QuikSkim® Venturi-powered skimmer.

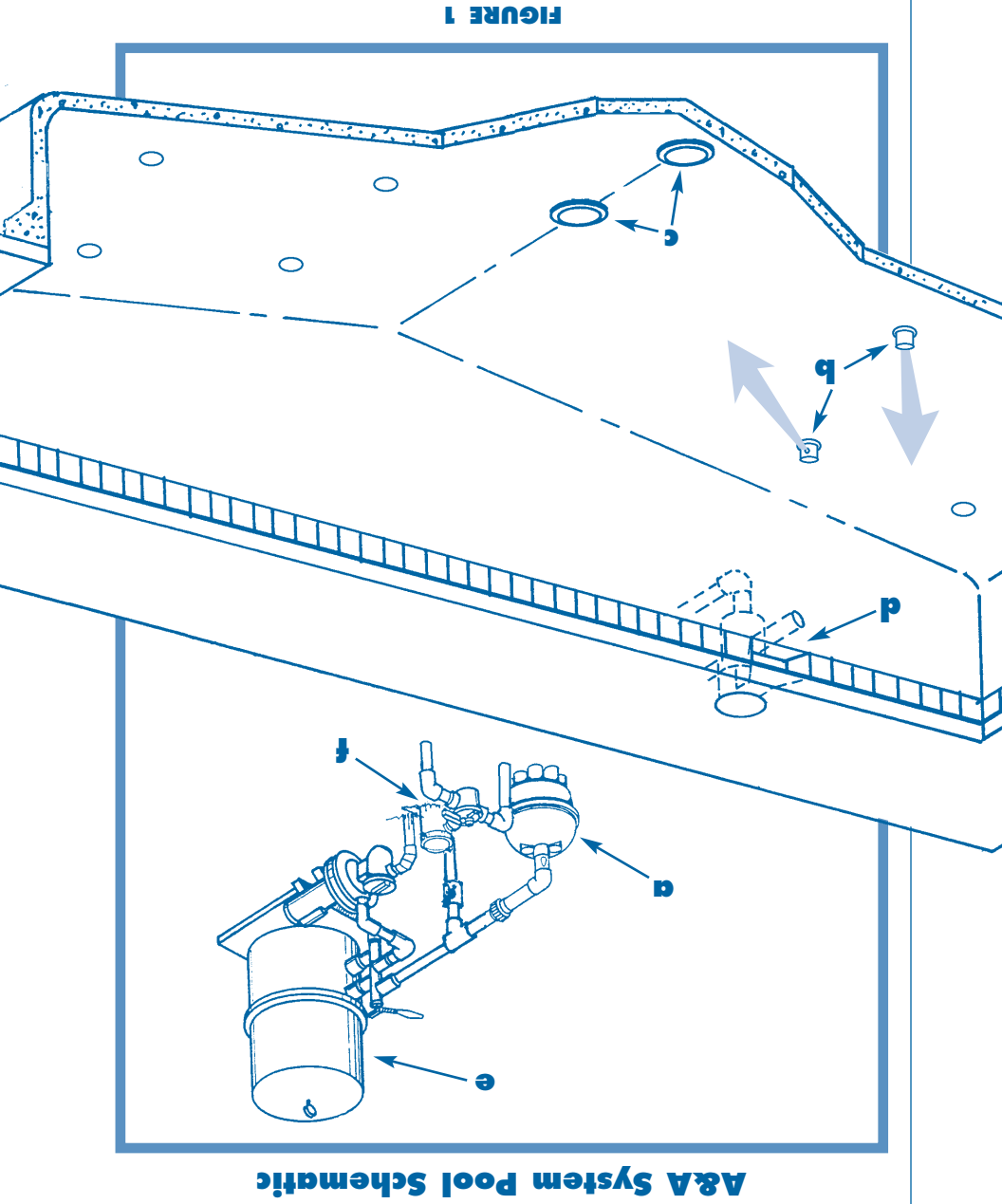
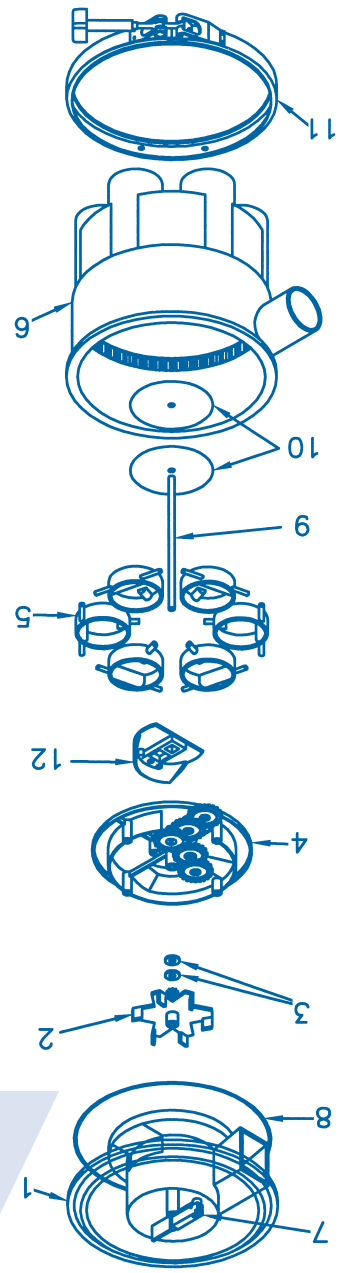


FIGURE 1

A&A "Low Profile" Water Actuated Valve Assembly

Parts available in Kit Form only (See Parts List)

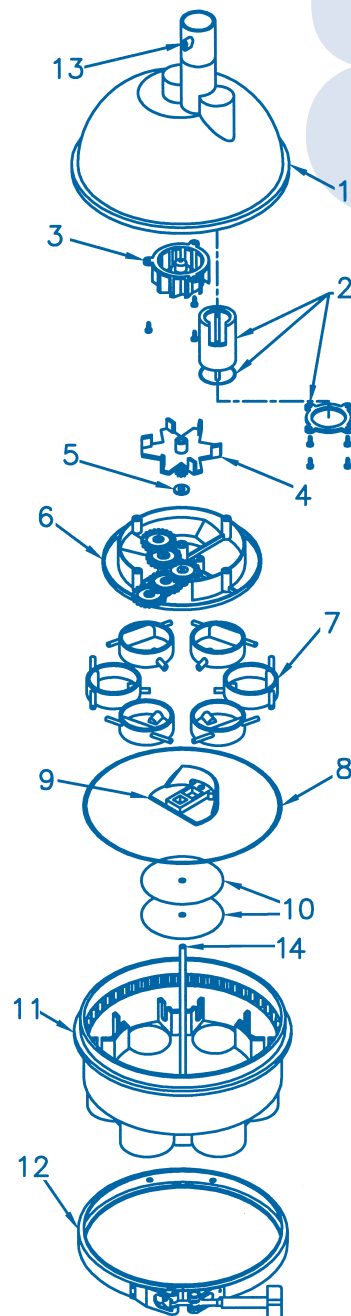
- | Item | Description |
|------|----------------------|
| 1 | Clear lid |
| 2 | Impeller |
| 3 | Shims (2) |
| 4 | Gear plate |
| 5 | "T" Valves |
| 6 | Lower housing |
| 7 | QuikStop™ |
| 8 | "T" Valve O-ring |
| 9 | Center shaft |
| 10 | Anti-friction washer |
| 11 | Band clamp |
| 12 | Cam |



PART

PART

5 & 6 Port Top Feed Water Actuated Valve Assembly



- | Item | Description |
|------|-----------------------------|
| 1 | Upper housing |
| 2 | Speed control with 4 screws |
| 3 | Diverter with 3 screws |
| 4 | Impeller |
| 5 | Shim |
| 6 | Gear plate |
| 7 | "T" Valves |
| 8 | "T" Valve O-ring |
| 9 | Cam |
| 10 | Anti-friction washers |
| 11 | Lower housing |
| 12 | Band clamp |
| 13 | QuikStop™ |
| 14 | Center shaft |

Parts available in Kit Form only (See Parts List)

To replace parts under warranty, package and ship them, along with your warranty certificate number, complete name, address and phone numbers, freight pre-paid to:

WARRANTY PARTS

How to Order Replacement Parts

PART

1. Turn off the pump.
2. Turn on the pump to determine if the valve operates or stops on the same zone of heads (observe the filter pressure gauge during this procedure).
3. If the valve rotates then stops at the same zone of heads and the pressure rises on that bank, there may be a restriction in one or more heads on this zone (refer to Section B, page 11).
4. If the valve stops on a different zone of pop-up cleaning heads, remove actuated valve top and check its operation.

D. ONE ZONE OF POP-UP CLEANING HEADS STAY UP

1. With the system running on the affected zone, depress the head several times.

C. POP-UP CLEANING HEAD WILL NOT GO DOWN

6. Repeat for each cleaning head, if necessary.
5. Return the pop-up cleaning head and resume the filter operation.

PART

A&A Heavy Debris Removal System

In addition to the standard A&A System, the **A&A Heavy Debris Removal System** includes the patented **Quik Leaf-Vac**® main drain system and the **QuikSkim**® Venturi-powered skimmer. The Quik Leaf-Vac® consists of safety-engineered, dual anti-vortex main drains and a leaf canister conveniently located at the equipment. Soaked leaves, sand, insects and other small debris that enter the main drain are deposited in a bag in the Quik Leaf-Vac® canister. The captured debris in the bag should be periodically emptied.

The QuikSkim® Venturi skimmer allows the option of skimming your pool surface with Venturi power and/or pump suction. To adjust QuikSkim®, simply open or close the suction valve at the pool pump and/or the return Venturi line at the equipment. We recommend that for most instances full Venturi power be utilized.

PART

General Pool Maintenance

A&A CLEANING & CIRCULATION SYSTEM

Good news! Your A&A System itself requires absolutely **no** periodic maintenance.

POOL FILTER, PUMP AND SKIMMER BASKETS

It is always important to clean the skimmer and pump baskets as

A&A water valves are equipped with a QuikStop™ pause control that will allow the system to be stopped on any cleaning zone. When activated, by rotating the control knob 180 degrees to the full down position, the pop-up cleaning heads in that zone will

QUIKSTOP™ PAUSE CONTROL

The speed adjustment will be pre-set by your pool builder. In most cases it is not necessary or advisable to make an adjustment. Optimum time for each zone to operate is between 30-60 seconds. Should you desire to increase or decrease the length of time your A&A System operates on each zone, your water valve is equipped with an internal speed control. To reduce the speed, gradually open the speed control gate. To increase the speed, simply close the speed control gate (see figure 2).

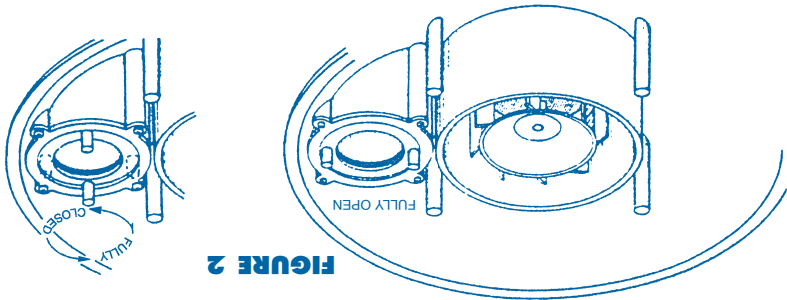


FIGURE 2

The Top Feed A&A Water Actuated Valve is depicted in figure 3, on page 6.

ADJUSTING THE SPEED CONTROL

Top Feed 5 & 6 Port Water Actuated Valve

This may also be the case if you were planning to use the pool within the next 24 hours. Otherwise, operate the filter system for as long as necessary to clear the pool, then return to the normal operating time.

USING THE QUIKSTOP™ PAUSE CONTROL

It may be desirable to stop the system with the deep-end zone running so that the pool water can continue to be filtered while allowing swimming activities to continue. To use the QuikStop pause control, raise the black lever on the valve lid to the full vertical upright position so that it locks in place. To re-start the valve, return the lever to its original horizontal position (see figure 5).

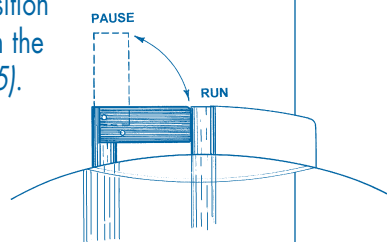


FIGURE 5

REMOVING "LOW PROFILE" WATER ACTUATED VALVE LID

It's Easy... Really! No Tools Needed!

The "Low Profile" water actuated valve may be completely disassembled without the use of tools. (see figure 6)

1. Turn the pump off.
2. Loosen the thumbscrew knob and remove the band clamp (2) from the actuated valve.
3. Lift the clear lid from the actuated valve and set aside on a clean surface.

REPLACING "LOW PROFILE" WATER ACTUATED VALVE LID

(see figure 6)

1. Before replacing the lid, straighten and cleanse the o-ring with clean water.
2. Line up the center shaft with the hole in the top of the lid and the speed control guide with the groove in the clear lid. Place the clear lid over the lower housing and push gently down into position.
3. Install the band clamp and tighten the knob only slightly. Carefully alternate tapping around the perimeter of the band clamp while re-tightening the knob.

Tighten by hand only – no tools!!

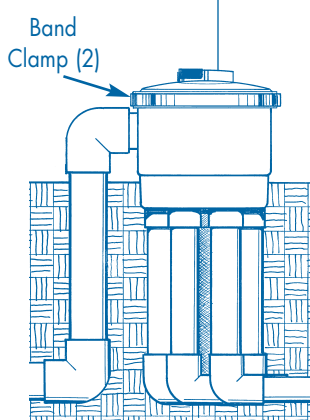


FIGURE 6



FIGURE 8

1. Remove the pop-up cleaning head from the pool (see figure 8).
2. Activate QuikStop on that zone (see page 5).
3. Turn off the pump.
4. Inspect the pop-up cleaning head and remove any particles of debris that may be lodged in the nozzle.

B. CLEANING HEADS POP UP BUT DO NOT CLEAN

1. Turn off the pump.
2. Clean the pool filter, skimmer, debris bags and pump and Quik Leaf-Vac® baskets.
3. Make sure all auxiliary, directional valves are closed, i.e.: therapy heads, aerator, surface returns, spillways, etc. All water should be directed to the A&A Water Actuated Valve.
4. Turn on the pump.
5. If your pool is equipped with a heater or salt chlorinator, make sure the heater bypass valve is adjusted properly and is not completely closed.
6. Observe operation of the system.

Troubleshooting

PART

In the unlikely event that your A&A System does not appear to be operating at peak efficiency, please refer to this Troubleshooting Guide to determine possible solutions.

well as backwashing the pool filter regularly. This will allow your pool to operate efficiently. The A&A System will do the rest.

If you have a Diatomaceous Earth (DE) filter, the recommended method to add or replace DE is through a conventional skimmer.

IMPORTANT: If you have a QuikSkim®

Venturi-powered skimmer, remove the skimmer basket and close the valve sending return water through the Venturi. Fully open the valve on the suction line from the skimmer, then add DE. After the DE has been removed from the skimmer, return the valves to their normal positions and replace the skimmer basket.

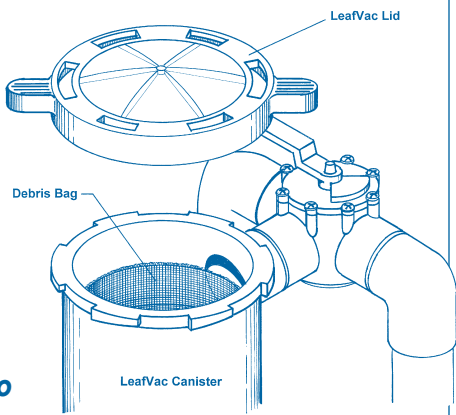


FIGURE 7

CLEANING THE LEAF-VAC® CANISTER

The Leaf-Vac® canister should be emptied as necessary. To empty Quik Leaf-Vac, **first turn the pump off**. Remove the lid from the Leaf-Vac canister by turning the lid in a counter-clockwise direction. Lift the lid from the canister and remove the internal basket (and the silt bag, if present). After emptying the basket, it is good practice to use a water hose to remove any “clinging” material. Return the basket to the canister and replace the lid, turning it clockwise, locking it into place. **(Warning: Do not overtighten!)** (see Figure 7).

1. Before replacing the top, straighten and cleanse the o-ring with clean water.
2. Line up the center shaft with the hole in the top of the upper housing. Place the upper housing over the lower housing and push gently down into position.

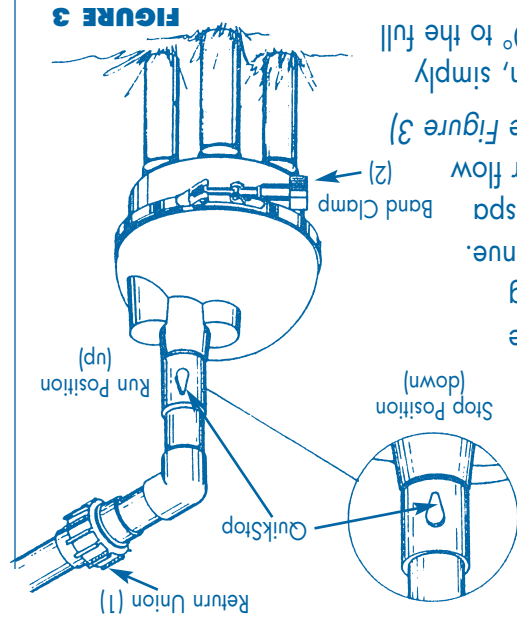
REPLACING TOP FEED WATER ACTUATED VALVE TOP

1. Turn the pump motor off.
2. Unscrew and disengage the Return Union (1) located above the water actuated valve.
3. Loosen the thumbscrew knob and remove the band clamp (2) from the water actuated valve.
4. Lift the upper housing from the water actuated valve and set aside on a clean surface.

No Tools Needed!

REMOVING TOP FEED WATER ACTUATED VALVE LID

1. Turn the pump off.
2. Unscrew and disengage the Return Union (1) located above the water actuated valve.
3. Loosen the thumbscrew knob and remove the band clamp (2) from the water actuated valve.
4. Lift the upper housing from the water actuated valve and set aside on a clean surface.



remain in the up position. For example, it may be desirable to stop the system with the deep-end zone running so that the pool water can continue to be filtered while allowing swimming activities to continue. Or pausing the heads in a spa will allow a continual water flow over the spa dam wall. (see Figure 3) To resume normal operation, simply rotate the control knob 180° to the full up (run) position.

3. Turn the upper housing to realign the 2 parts of the return union, making sure the union o-ring is in place. Start the threads of the union, but do not tighten completely.
4. Install the band clamp and tighten the knob only slightly. Carefully alternate tapping around the perimeter of the band clamp while re-tightening the knob. **Tighten by hand only – no tools!!**
5. Hand tighten the union – **no tools, DO NOT OVER-TIGHTEN!!**

“Low Profile” 6-Port Water Actuated Valve

ADJUSTING THE SPEED CONTROL

The rotation speed is determined by the position of the clear top when it is placed on the water valve. For maximum cleaning efficiency, it is recommended that the cycle time for each zone be adjusted to run approximately 30-60 seconds. The volume of water allowed to enter the impeller chamber of the water valve controls the speed at which it operates.

1. Turn the pump off.
2. **Note:** There is a speed control guide molded into the top lip of the valve housing and a groove molded into the clear lid that accepts the speed control guide.
3. Place the lid on the valve housing so the molded groove in the lid is over the speed control guide.
4. Cycle time is increased by rotating the lid counter-clockwise and decreased by rotating it clockwise (see figure 4).
5. Once the desired speed is achieved, remove the band clamp and, with a marking pen, place a mark on the edge of the lid and valve housing as registration marks. This will allow the replacement of the lid to the same position if the water valve cover is removed later.

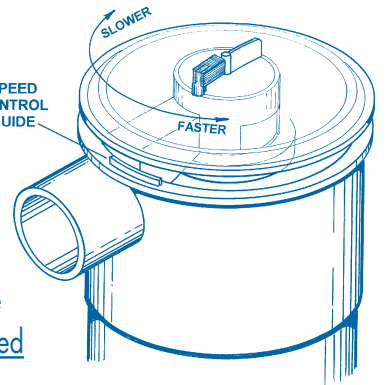


FIGURE 4

A&A Manufacturing Built-in Cleaning and Circulation System Warranty Return Card

This warranty return card must be filled out completely by the original purchaser of the A&A System or A&A Heavy Debris Removal System and sent to A&A Manufacturing within 30 days of pool start-up. Failure to complete and return may nullify your warranty.

Purchaser's Name _____ Date of Start-up _____

Address _____

City _____ State _____ ZIP _____

Phone (Day) _____ Phone (Evening) _____

Installing Pool Builder: _____

Please take the time to help us by completing the following brief, optional questions. Thank You!

1. Please list reasons for your decision to purchase an A&A System in order of importance, from 1 (most) to 5 (least) important:

- Cleaning
- Energy Savings
- Safety – No Pressure Buildup
- No Periodic Maintenance
- Even Heating (from bottom)
- Plain Language Lifetime Warranties
- Water Circulation (healthy water)
- Built-In Aesthetics (no hoses)
- Individual Computer Design
- Heavy Debris Removal
- Other _____

3. This is my 1st 2nd 3rd+ swimming pool.

4. Did you purchase an inground spa with your pool? Yes No

5. Pool construction type: Concrete Vinyl Fiberglass

6. Would you recommend an A&A System to a friend? Yes No

7. Would you recommend your pool builder to a friend? Yes No

Comments: _____

2. How did you learn about A&A?:

- Referral (word of mouth)
- Pool Salesperson
- Friend/Family Member
- Newspaper Ad
- Mail Advertisement
- A&A Website
- Other _____

Demographic Information

1. Age grouping for head of household:

- 18-24 25-34 35-44
- 45-54 55+

2. Number in immediate family:

- 1 2 3 4 5+

3. Approximate family income:

- \$30,000-\$50,000
- \$51,000-\$75,000
- \$75,100+

Place
First Class
Stamp
Here

A&A MANUFACTURING
3750 West Indian School Road
Phoenix, Arizona 85019

